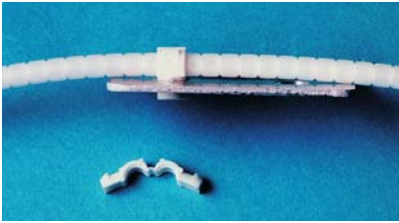


FIBER MANAGEMENT

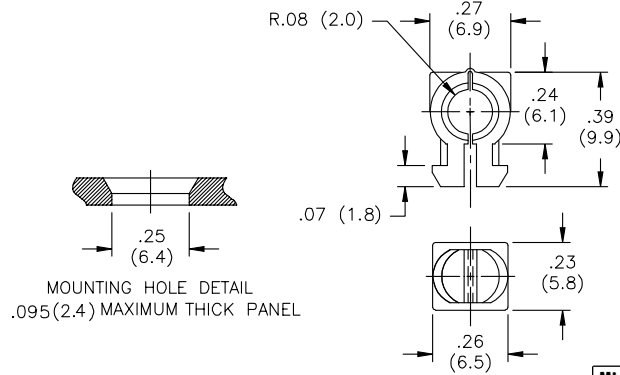
OFTGSP-1-05-19

Optical Fiber Tube Gripper Saddle



Features

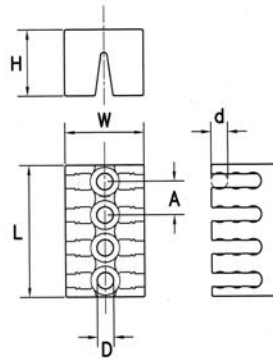
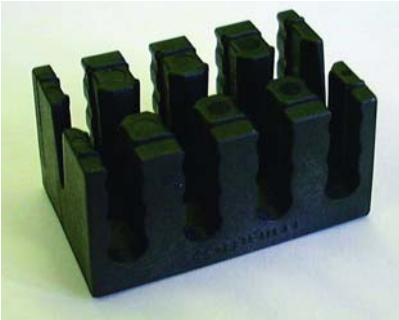
- Requires only one hole for mounting



Miniflex technology manufactured by Richco - Patented
Material: Nylon 6/6 Flame Retardant UL94 V0, RMS-19; Color: Natural
Standard Pack: 1,000 per bag

OFSMB

Optical Fiber Slotted Multi Bracket



Description

Optical Fiber Slotted Multi-Brackets are for use at distribution points where orderly fiber management, protection and strain relief is required.

Slotted Multi-Brackets can be adapted to individual needs with the use of OFBLT. From the initial fiber entry point, superior fiber protection against bending, crushing and kinking is secured. Assembly of tubes is made easy by a simple "lay-through" design, no threaded is required. Mounting of either bracket is easy, using screws or push rivets as shown.

An additional security feature allows fitting of a cable tie around SSMB's which prevents removal of any retained tubes.

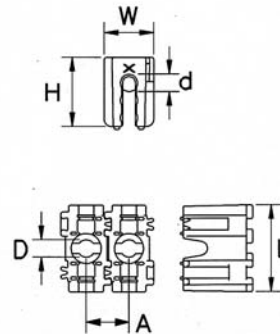
Features

- OFBLT retention: >70N
- Holds a maximum of 12 tubes

Miniflex technology manufactured by Richco - Patented						
Material: Glass Filled Flame Retardant Nylon, RMS-104 (UL 94V0); Color: Black						
Standard Pack: 10/bag						
Part No.	Ø "D"	"A"	Ø "d"	"H"	"L"	"W"
OFSMB-4-05-GFBLK	.20 (5.0)	.39 (10.0)	.20 (5.0)	.78 (20.0)	1.57 (40.0)	.98 (25.0)

OFSSMB

Optical Fiber Single Slotted Multi Bracket



Features

- OFBLT retention: >70N
- Holds a maximum of 3 tubes
- Ability to latch to other OFSSMB's

Miniflex technology manufactured by Richco - Patented						
Material: Glass Filled Flame Retardant Nylon, RMS-104 (UL 94V0) • Color: Black						
Standard Pack: 10/bag						
Part No.	Ø "D"	"A"	Ø "d"	"H"	"L"	"W"
OFSSMB-1-05-GFBLK	.20 (5.0)	.49 (12.5)	.20 (5.0)	.78 (20.0)	.98 (25.0)	.57 (14.5)