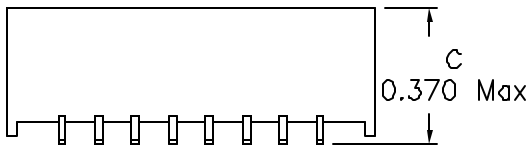
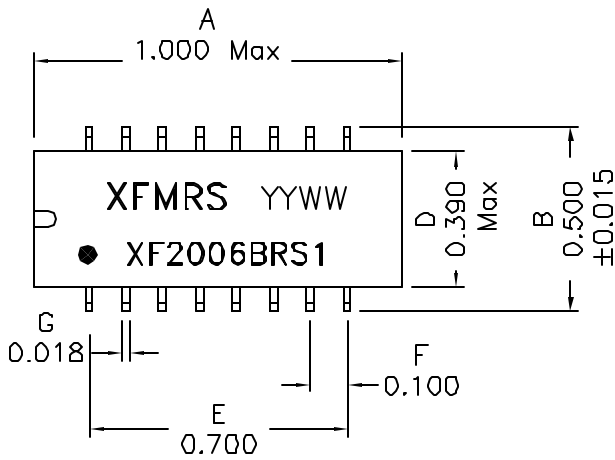
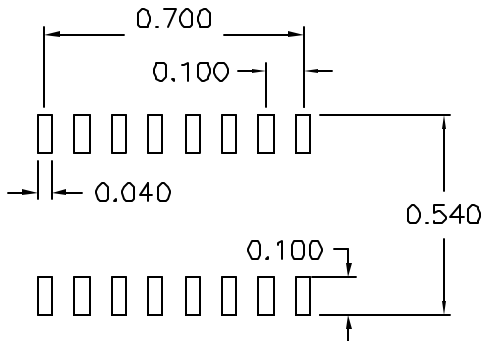


1. Dimensions:



CO-PLANARITY ± 0.004 Max
0.10 Max

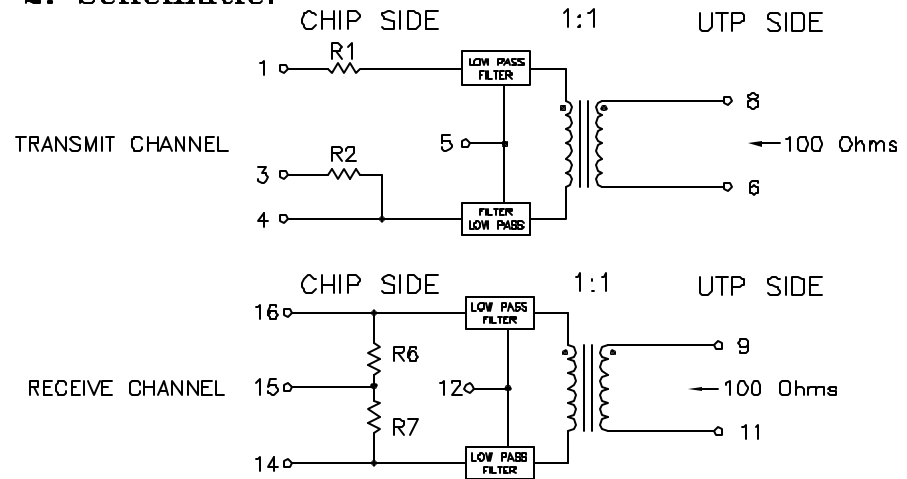


SUGGESTED FOOTPRINT

Notes:

1. Solderability: Leads shall meet MIL-STD-202G, Method 208H for solderability.
2. Flammability: UL94V-0
3. ASTM oxygen index: > 28%
4. Insulation System: Class F 155°C. UL file E151556
5. Operating Temperature Range: All listed parameters are to be within tolerance from -40°C to +85°C
6. Storage Temperature Range: -55°C to +125°C
7. Aqueous wash compatible
8. SMD Lead Coplanarity: ±0.004*(0.102mm)
9. Electrical and mechanical specifications 100% tested
10. RoHS 5/6 Compliant, 63/37 loaded solder dipping on FG pins
11. Recommended IR Reflow temp 225C Max.

2. Schematic:



R1,R2: 39.0 Ohms R6,R7: 49.9 Ohms

3. Electrical Specifications: @25°C

- HIPOT: 1500VAC Min
- Insertion Loss (1-10MHz): -5.0dB Max
- Return Loss (5-10MHz): -18dB Min 100 Ohms
-15dB Min 96 ±13 Ohms
- Attenuation (XMIT): 30MHz -30dB Min
40MHz -35dB Min, 100MHz -40dB Min
- Common Mode Rejection(XMIT): 5MHz -50dB Min
10MHz -45dB Min
50MHz -35dB Min
100MHz -30dB Min.
- Crosstalk: -25dB Min @5-10MHz

DOC REV A/5

PROPRIETARY

Document is the property of XFMRs Group & is not allowed to be duplicated without authorization.

XFMRs Inc www.XFMRs.com		Title: 10BASE-T FILTER	
UNLESS OTHERWISE SPECIFIED TOLERANCES: .xxx ±0.010 Inch Dimensions in Inch SCALE 2:1 SHT 1 OF 1	P/N: XF2006BRS1		REV. A
	DWN.	Xian yi	Dec-15-09
	CHK.	YK Liao	Dec-15-09
	APP.	Joe Huff	Dec-15-09