

| THIS DRAWING IS UNPUBLISHED. | | | RELEASED FOR PUBLICATION | | | | | | | | | | | | |
|--|-------------|--------------------------|--------------------------------|--------------------------------|-----------------------------------|-----------------------|-----------------------|-------------|-----------|-------------|------------------------|---|---|---|---|
| COPYRIGHT © 20 BY TYCO ELECTRONICS CORPORATION. ALL RIGHTS RESERVED. | | | | | | | | | | | | | | | |
| ATLANTIC VERSION TERMINATOR INTERFACE ADAPTER | PART NUMBER | REVISION | DESCRIPTION | FEED TYPE | APPLICATOR STYLE CONVERSION CHART | | | | | | | | | | |
| | 2151960-1 | C | FINE CRIMP HEIGHT ADJUST | MECHANICAL | PNEUMATIC FEED | | PART NUMBERS REQUIRED | | | | | | | | |
| | | | | | CONVERT TO | 2119950-1 | 1338685-1 | 5-18022-5 | 2119641-1 | 2119799-1 | 2063440-1 | | | | |
| | | | | | SERVO LATCH PLATE | 2119951-1 | - | 8-2151960-5 | 1901094-3 | 1-1752354-6 | 2168400-6 (QUANTITY 2) | | | | |
| | 2151960-2 | C | FINE CRIMP HEIGHT ADJUST | PNEUMATIC | MECHANICAL FEED | | PART NUMBERS REQUIRED | | | | | | | | |
| | | | | | CONVERT TO | 2119949-1 | 1338685-1 | 5-18022-5 | 2119653-1 | - | - | | | | |
| | | | | | SERVO LATCH PLATE | 2119951-1 | - | 8-2151960-5 | 1901094-3 | 1-1752354-6 | 2168400-6 (QUANTITY 2) | | | | |
| | 2151960-5 | C | FINE CRIMP HEIGHT ADJUST | SERVO LATCH PLATE ⁴ | MECHANICAL FEED | | PART NUMBERS REQUIRED | | | | | | | | |
| CONVERT TO | | | | | 2119949-1 | 1338685-1 | 5-18022-5 | 2119653-1 | - | - | | | | | |
| 2151960-6 | C | NON-CRIMP HEIGHT ADJUST | SERVO LATCH PLATE ⁴ | PNEUMATIC FEED | | PART NUMBERS REQUIRED | | | | | | | | | |
| | | | | CONVERT TO | 2119950-1 | 1338685-1 | 5-18022-5 | 2119641-1 | 2119799-1 | 2063440-1 | | | | | |
| 2151960-7 | C | FINE CRIMP HEIGHT ADJUST | NONE | - | - | - | - | - | - | - | - | - | - | - | - |
| 7-2151960-7 | A | CRIMP TOOLING KIT | - | - | - | - | - | - | - | - | - | - | - | - | - |

| APPLICATOR DATA | | |
|-----------------------------------|----------------|------|
| CRIMP SIZE | SIZE | TYPE |
| WIRE | 1.50 mm [.059] | F |
| INSUL | 1.65 mm [.065] | O |
| APPLICATOR INSTRUCTIONS 408-10389 | | |

| TERMINAL DATA: YAZAKI TERMINAL | YAZAKI CRIMP SPECIFICATION |
|--|---|
| TERMINAL NAME: 0.64 SYSTEM CONNECTOR | |
| WIRE STRIP LENGTH 4.00-4.50 mm [.157-.177 IN] | INSULATION DIAMETER RANGE Ø1.45-1.60 mm [.057-.063 IN] |
| TERMINAL APPLICATION SPECIFICATION 72-WT10-2568-1 Rev - | - |
| TERMINALS APPLIED | |
| TE TERMINAL | YAZAKI TERMINAL |
| 1949407-1 | 7116-4720-02 |

| WIRE SIZE | CRIMP HEIGHT mm [INCH] | CRIMP HEIGHT REFERENCE SETTING |
|-----------|----------------------------|--------------------------------|
| 0.35mm2 | 0.90+/-0.05 [.035+/- .002] | 8.7 |
| 0.30mm2 | 0.90+/-0.05 [.035+/- .002] | 8.7 |

- ¹ RECOMMENDED SPARE PARTS
- ² GREASE BEARING SURFACES LIGHTLY
- 3. LUBRICATE DAILY PER THE APPLICATOR INSTRUCTION SHEET SUPPLIED WITH THE APPLICATOR.
- ⁴ APPLICATOR SPECIFIC DATA TO BE ENTERED INTO BLANK MEMORY CHIP AT ASSEMBLY. SEE BELOW FOR PART NUMBER:
MECHANICAL FEED WITH "SMART APPLICATOR" CONVERSION: 8-2151960-4
PNEUMATIC FEED WITH "SMART APPLICATOR" CONVERSION: 8-2151960-4
SERVO FEED WITH "FINE CRIMP HEIGHT ADJUST": 8-2151960-5
SERVO FEED WITH "NON-CRIMP HEIGHT ADJUST": 8-2151960-6
- 5. ADJUSTMENT OF THE STRIPPER MAY BE REQUIRED WHEN MOVING THE APPLICATOR BETWEEN BENCH AND LEADMAKER APPLICATIONS.
- ⁶ APPLY PART NUMBER 1-23419-5 LOCTITE TO THREADS OF ITEM 62 & 180.
APPLY PART NUMBER 2-23419-6 LOCTITE TO THREADS OF ITEM 242.
FOR -6 ONLY APPLY PART NUMBER 1-23419-5 LOCTITE TO THREADS OF ITEM 37.
- ⁷ GREASE THREADS, GROOVE AND O-RING ON ITEMS 35 & 252.
- ⁸ MAGNET, ITEM 166 MUST BE ORIENTED CORRECTLY IN ORDER TO PROPERLY ACTUATE THE COUNTER.
- ⁹ CRIMP HEIGHT REFERENCE SETTING WAS THE SETTING USED WHEN THE APPLICATOR WAS QUALIFIED AT THE FACTORY. ADJUSTMENT MAY BE NECESSARY WHEN RUNNING APPLICATOR IN THE FIELD.
- ¹⁰ SPARE FEED CAM STORAGE LOCATION REFER TO INSTRUCTION SHEET FOR ADDITIONAL INFORMATION.
- ¹¹ TO CONVERT THE APPLICATOR TO A NON-CARRIER CUTTING STYLE, REMOVE ITEM 13 AND ATTACH TO THE LOCATION ON THE BACK SIDE OF THE HOUSING. REFER TO INSTRUCTION SHEET FOR ADDITIONAL INFORMATION.
- ¹² WHEN ASSEMBLING A NON CRIMP HEIGHT ADJUST APPLICATOR (-6) USE SHIMS FROM ITEM 260 TO ACHIEVE A NOMINAL SHIM HEIGHT OF 4.90.

*WARNING
ON INSTALLATION, SET WIRE DISC, ITEM 40 TO LARGEST WIRE SIZE SETTING. USE OF SETTINGS BELOW MINIMUM REQUIRED CRIMP HEIGHT SETTING WILL CAUSE DAMAGE TO CRIMP TOOLING.

| | | | | | | | | | |
|---------------|-----|----|----|----|----|----|-----------|---------------------------------|---------|
| ¹² | - | - | 1 | - | - | - | 2119957-2 | APPLICATOR SHIM PACK | 260 |
| ¹¹ | - | 1 | - | 1 | 1 | 1 | 8-21084-0 | O-RING, .676 ID, .070 DIA. MAT. | 252 |
| | - | - | - | - | 1 | - | 2119640-1 | PUSH ROD, AIR FEED | 250 |
| | - | - | - | - | 1 | - | 2079988-1 | BUSHING, LCH5-12, MISUMI | 249 |
| | - | - | - | - | 1 | - | 2119641-1 | FEED CAM, AIR FEED | 248 |
| | -77 | -7 | -6 | -5 | -2 | -1 | PART NO | DESCRIPTION | ITEM NO |

ATLANTIC VERSION
Shown on sheets 1 of 4 & 2 of 4
(Pacific version shown on sheets 3 of 4 & 4 of 4)

| SET UP GAUGE | LOC | DIST | REVISIONS | | | |
|--------------|-----|------|-----------|-----------|----|------|
| 2119599-1 | A | 66 | REV | DATE | BY | APPD |
| | | | C | 05JUL2016 | MR | GB |
| | | | | | | |

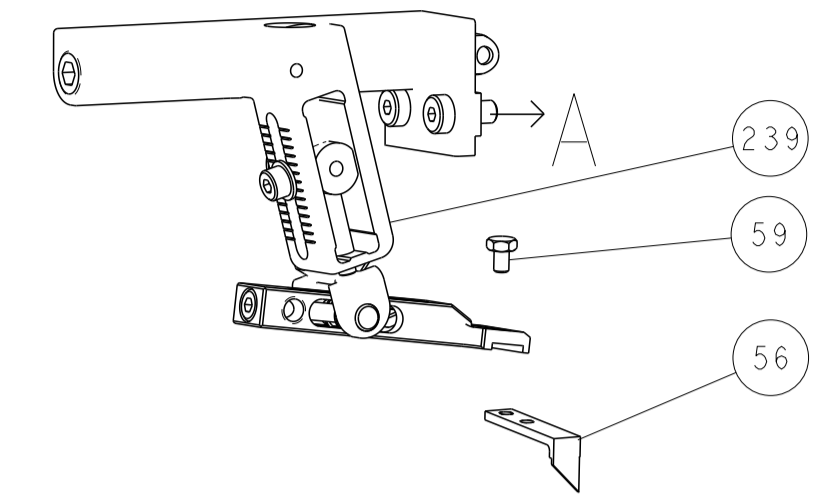
| | | | | | | | | | |
|---|-----|-----|-----|-----|-----|-----|-------------|-------------------------------------|---------|
| - | 1 | - | 1 | 1 | 1 | 1 | 2119798-1 | DETENT PIN | 247 |
| - | 1 | - | 1 | 1 | 1 | 1 | 1-22279-3 | SPRING, COMPRESSION | 246 |
| - | - | - | - | - | - | - | 2119758-1 | RAM, AMP STYLE, SIDE FEED, NON-ADJ. | 245 |
| - | 1 | 1 | 1 | 1 | 1 | 1 | 2119082-8 | CAM, SNAIL, INSULATION ADJUSTMENT | 244 |
| - | 1 | 1 | 1 | 1 | 1 | 1 | 2079764-1 | WASHER, WAVE SPRING, CREST-TO-CREST | 243 |
| - | 1 | 1 | 1 | 1 | 1 | 1 | 2119083-1 | RETAINER, INSULATION DIAL | 242 |
| - | 1 | 1 | 1 | 1 | 1 | 1 | 7-18023-7 | SCR, SKT HD CAP M3 X 4.0 | 241 |
| - | - | 2 | 2 | - | - | - | 2168400-6 | SHCS, LOW HEAD, RoHS, M5 X 16 | 240 |
| - | - | - | - | - | 1 | - | 2119580-1 | MECHANICAL FEED ASSEMBLY | 239 |
| - | - | - | - | - | - | - | 2063440-1 | AIR FEED MODULE | 238 |
| - | - | 1 | 1 | - | - | - | 2119740-2 | TAG, IDENTIFICATION | 213 |
| - | - | 1 | 1 | - | - | - | 1901094-3 | SPACER, FEEDER | 198 |
| - | 1 | 1 | 1 | 1 | 1 | 1 | 1-1752354-6 | STANDOFF, HOLD-DOWN | 180 |
| - | 1 | 1 | 1 | 1 | 1 | 1 | 6-993111-6 | PIN, SLOTTED SPRING 3.0 X 14.0 | 177 |
| - | 1 | 1 | 1 | 1 | 1 | 1 | 8-22280-7 | SPRING, COMPRESSION | 176 |
| - | 1 | 1 | 1 | 1 | 1 | 1 | 1752353-2 | GUIDE PIN, HOLDDOWN | 175 |
| - | 1 | 1 | 1 | 1 | 1 | 1 | 1901680-2 | GUIDE PIN, HOLDDOWN | 174 |
| - | - | - | - | 2 | - | - | 21045-3 | RING, RETAIN, EXTERN, 3/16 CRESCENT | 172 |
| - | 1 | 1 | 1 | 1 | 1 | 1 | 994969-1 | MAGNET, RARE EARTH HIGH ENERGY | 166 |
| - | REF | REF | REF | REF | REF | REF | 994970-2 | COUNTER, MAGNETIC | 164 |
| - | - | - | - | 1 | - | - | 240638-1 | SPRING, FEED FINGER | 163 |
| - | - | - | - | 1 | - | - | 3-23627-7 | PIN, RETAIN, GRVD, 3/16 X .854 | 137 |
| - | - | - | - | 1 | - | - | 2119799-1 | HOLDER, FEED FINGER, AF | 136 |
| - | - | REF | REF | - | - | - | SEE NOTE 4 | MEMORY CHIP, PROGRAMMED | 135 |
| - | - | 1 | 1 | - | - | - | 1633743-1 | SERVO FEED LATCH ASM | 133 |
| - | 1 | 1 | 1 | 1 | 1 | 1 | 1-18028-2 | WASHER, FLAT, REG M4 | 119 |
| - | - | REF | REF | - | - | - | 2119944-1 | FEED FINGER ASSEMBLY, SF | 117 |
| - | 1 | 1 | 1 | 1 | 1 | 1 | 455888-8 | SPACER, CRIMPER | 82 |
| - | 1 | 1 | 1 | 1 | 1 | 1 | 2119956-1 | DOCUMENTATION PACKAGE | 71 |
| - | 1 | 1 | 1 | 1 | 1 | 1 | 2119791-5 | DEPRESSOR, WIRE | 70 |
| - | 1 | - | - | 1 | 1 | 1 | 2119740-1 | TAG, IDENTIFICATION | 67 |
| - | 2 | 2 | 2 | 2 | 2 | 2 | 2168078-1 | SCREW, DRIVE, RH, RoHS, 2 x .188 | 66 |
| - | 1 | - | 1 | 1 | 1 | 1 | 2119793-1 | LIMITER, ADJUSTMENT BOLT | 63 |
| - | 3 | - | 3 | 3 | 3 | 3 | 992763-5 | SCR, SET, SOC, CONE POINT, M3 X 4.0 | 62 |
| - | 1 | 1 | 1 | 1 | 1 | 1 | 2079383-4 | SCR, BHSC, RoHS (M4 X 8) | 60 |
| - | - | - | - | 1 | 1 | 1 | 5-18022-5 | SCR, HEX HD CAP, M4 X 6.0 | 59 |
| - | - | - | - | - | 1 | 1 | 1338685-1 | PAWL, FEED | 56 |
| - | 4 | 4 | 4 | 4 | 4 | 4 | 2168400-1 | SHCS, LOW HEAD, RoHS, M4 X 12 | 54 |
| - | 1 | 1 | 1 | 1 | 1 | 1 | 1-5018030-0 | NUT, HEX, REG, RoHS, M3.5 | 52 |
| - | 1 | 1 | 1 | 1 | 1 | 1 | 1901681-1 | HOLDDOWN, TERMINAL | 51 |
| - | - | - | - | - | 1 | 2 | 18023-9 | SCR, SKT HD CAP M4 X 6.0 | 49 |
| - | - | - | - | - | 1 | - | 2119652-1 | FEED CAM, PRE FEED | 48 |
| - | - | - | - | - | 1 | - | 2119653-1 | FEED CAM, POST FEED | 47 |
| - | 1 | 1 | 1 | 1 | 1 | 1 | 2119656-9 | APPLICATOR BASIC ASSEMBLY, SF | 46 |
| - | 1 | - | - | 1 | 1 | 1 | 2119370-1 | RAM, AMP STYLE, SIDE FEED | 44 |
| - | 1 | 1 | 1 | 1 | 1 | 1 | 2079383-7 | SCR, BHSC, RoHS (M8 X 25) | 41 |
| - | 1 | - | - | 1 | 1 | 1 | 2119645-1 | DISC, NUMBERED FA WIRE ADJUSTMENT | 40 |
| - | 1 | - | - | 1 | 1 | 1 | 2119957-1 | APPLICATOR SHIM PACK | 39 |
| - | 1 | 1 | 1 | 1 | 1 | 1 | 2119644-1 | RAM WASHER, PRECISION | 38 |
| - | 1 | 1 | 1 | 1 | 1 | 1 | 2119085-1 | FA HEAD, ATLANTIC STYLE | 37 |
| - | 1 | - | - | 1 | 1 | 1 | 2119092-1 | BOLT, ADJUSTMENT | 35 |
| - | 1 | 1 | 1 | 1 | 1 | 1 | 2-1752356-0 | SUPPORT, TERMINAL | 34 |
| - | 2 | 2 | 2 | 2 | 2 | 2 | 2079383-5 | SCR, BHSC, RoHS (M4 X 20) | 33 |
| - | 1 | 1 | 1 | 1 | 1 | 1 | 2161328-1 | HEX HEAD, FLANGED, M5 x 8mm LONG | 32 |
| - | 1 | 1 | 1 | 1 | 1 | 1 | 1320908-6 | SPACER, STRIP GUIDE | 30 |
| - | 1 | 1 | 1 | 1 | 1 | 1 | 2119959-2 | ASSEMBLY, STRIP GUIDE | 29 |
| - | 1 | 1 | 1 | 1 | 1 | 1 | 1320928-2 | STRIP GUIDE | 24 |
| - | 1 | 1 | 1 | 1 | 1 | 1 | 2168083-2 | SCR, SKT HD CAP, RoHS, M4 X 8.0 | 21 |
| - | 1 | 1 | 1 | 1 | 1 | 1 | 1-18028-2 | WASHER, FLAT, REG M4 | 20 |
| - | 1 | 1 | 1 | 1 | 1 | 1 | 2119533-1 | STRIPPER, SIDE FEED | 19 |
| - | 1 | 1 | 1 | 1 | 1 | 1 | 2119806-1 | INSERT, SHEAR | 13 |
| - | 1 | 1 | 1 | 1 | 1 | 1 | 3-22280-3 | SPRING, COMPRESSION | 12 |
| - | 1 | 1 | 1 | 1 | 1 | 1 | 1-356885-4 | STOP, SHEAR | 11 |
| - | 1 | 1 | 1 | 1 | 1 | 1 | 2119805-1 | SHEAR HOLDER, FRONT | 10 |
| - | 1 | 1 | 1 | 1 | 1 | 1 | 1803095-6 | FLOATING SHEAR, FRONT | 9 |
| - | 1 | 1 | 1 | 1 | 1 | 1 | 2-1633932-9 | ANVIL, COMBINATION | 8 |
| - | - | - | - | - | - | - | - | - | 7 |
| - | - | - | - | - | - | - | - | - | 6 |
| - | 1 | 1 | 1 | 1 | 1 | 1 | 2119757-8 | DEPRESSOR, SHEAR | 5 |
| - | 1 | 1 | 1 | 1 | 1 | 1 | 1-238011-8 | BLOCK, CRIMPER SPACER | 4 |
| - | 1 | 1 | 1 | 1 | 1 | 1 | 2-1803019-5 | CRIMPER, INSULATION O | 3 |
| - | 1 | 1 | 1 | 1 | 1 | 1 | 455888-8 | SPACER, CRIMPER | 2 |
| - | 1 | 1 | 1 | 1 | 1 | 1 | 3-568176-8 | CRIMPER, WIRE | 1 |
| - | -77 | -7 | -6 | -5 | -2 | -1 | PART NO | DESCRIPTION | ITEM NO |

| | | | | | | | |
|---|--|--|--|-----------------------------|--|--|--|
| THIS DRAWING IS UNPUBLISHED. FOR THE LATEST INFORMATION ON THIS PRODUCT, PLEASE VISIT THE WEBSITE WWW.TYCOELECTRONICS.COM. TOLERANCES UNLESS OTHERWISE SPECIFIED: | | | | OWN: BOB HIGMAN 23MAY2013 | | TE Connectivity Harrisburg, PA 17105-3608 | |
| DIMENSIONS: mm | | | | CHK: G. BAILEY 23MAY2013 | | NAME: Ocean Side Feed Applicator | |
| | | | | APVD: M. CLIFFORD 23MAY2013 | | SIZE: A1 | |
| MATERIAL: | | | | PRODUCT SPEC: | | SCALE: 1:2 | |
| FINISH: | | | | APPLICATION SPEC: | | SHEET 1 OF 4 | |
| WEIGHT: | | | | REVISIONS: | | CUSTOMER ACCESSIBLE PRODUCTION DRAWING | |
| Customer Accessible Production Drawing | | | | SCALE: 1:2 | | REV: C | |

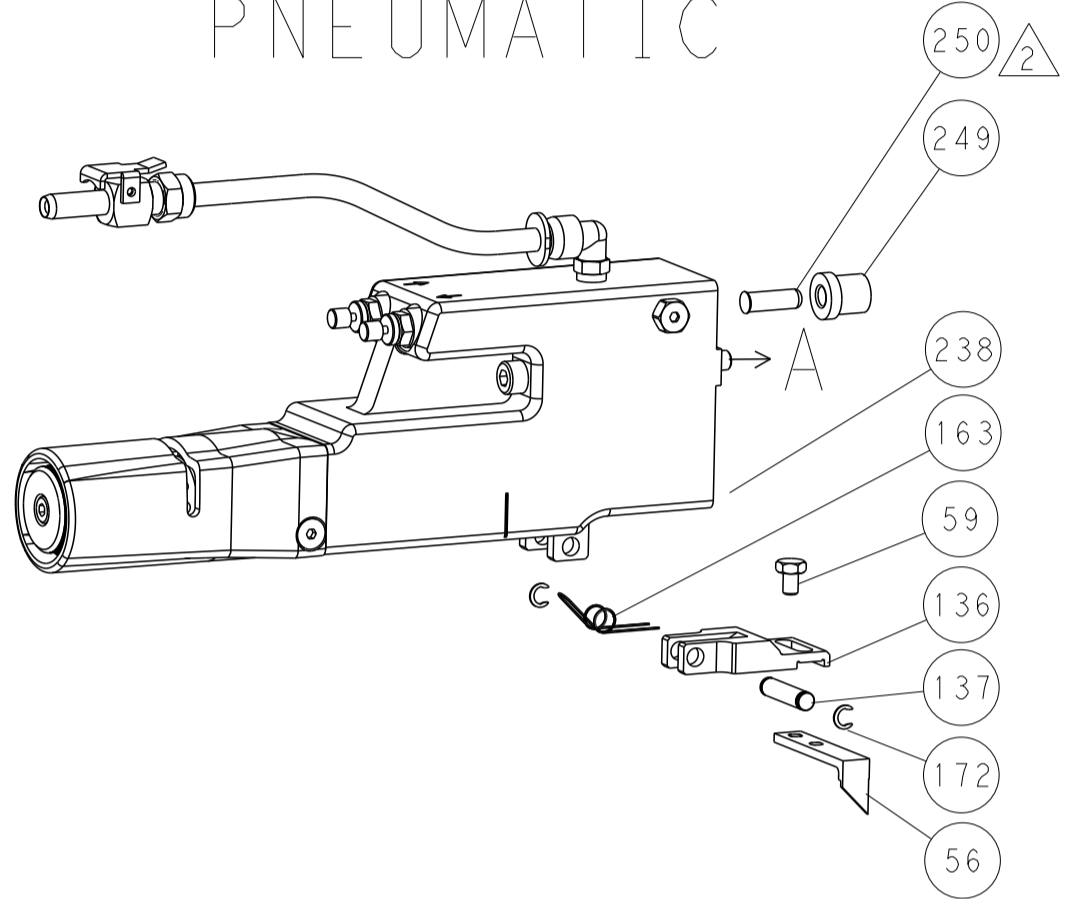
SHEETS 3 & 4 ARE NOT REQUIRED FOR ATLANTIC VERSION

| LOC | DIST | REV | DATE | BY | APPV |
|-----|------|-----|------|----|------|
| A | 66 | | | | |

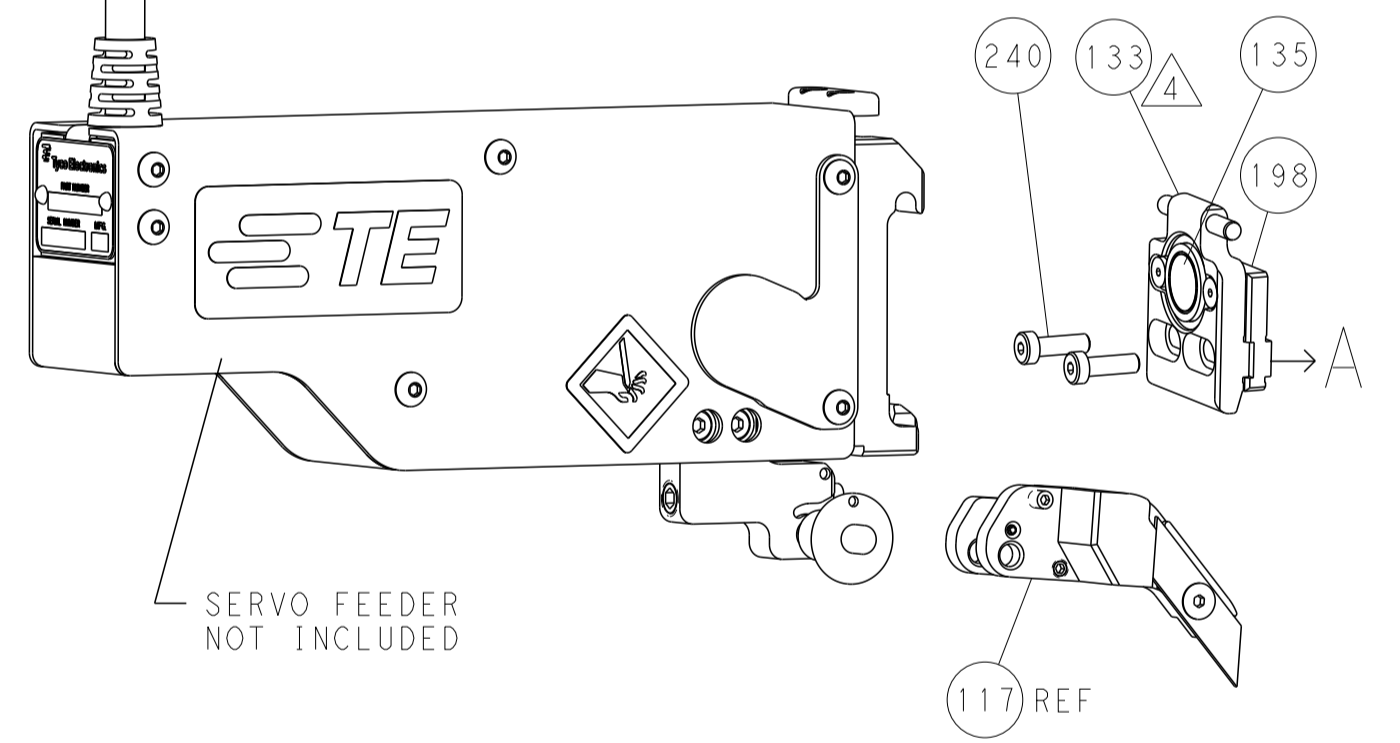
FEED TYPE MECHANICAL



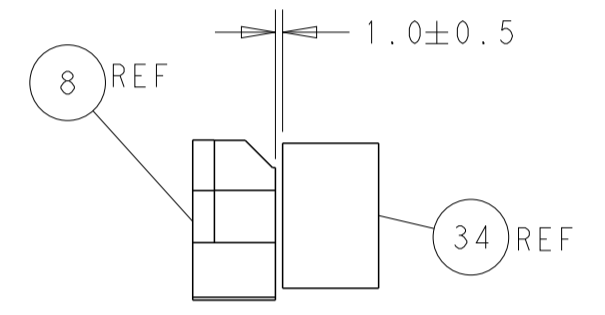
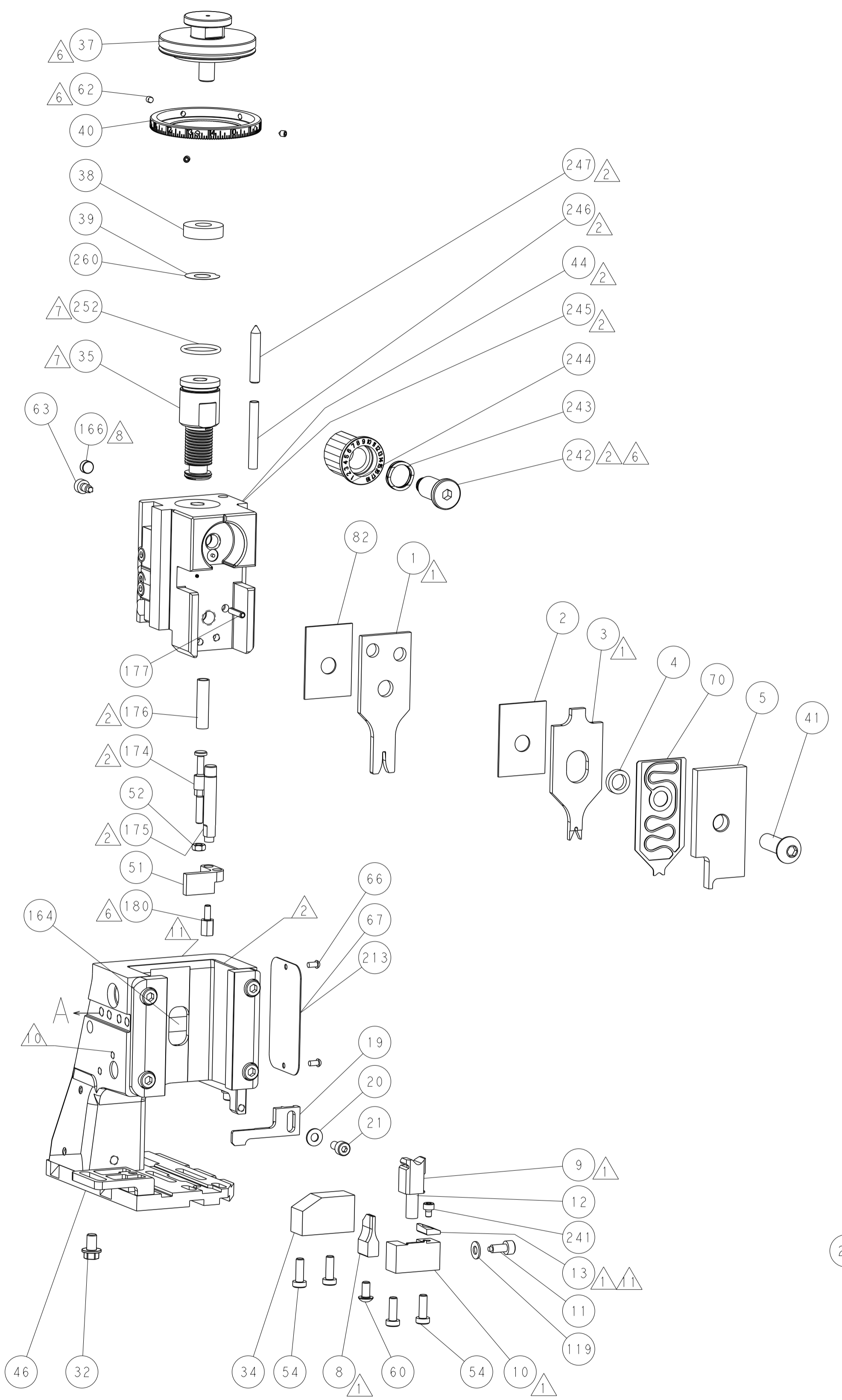
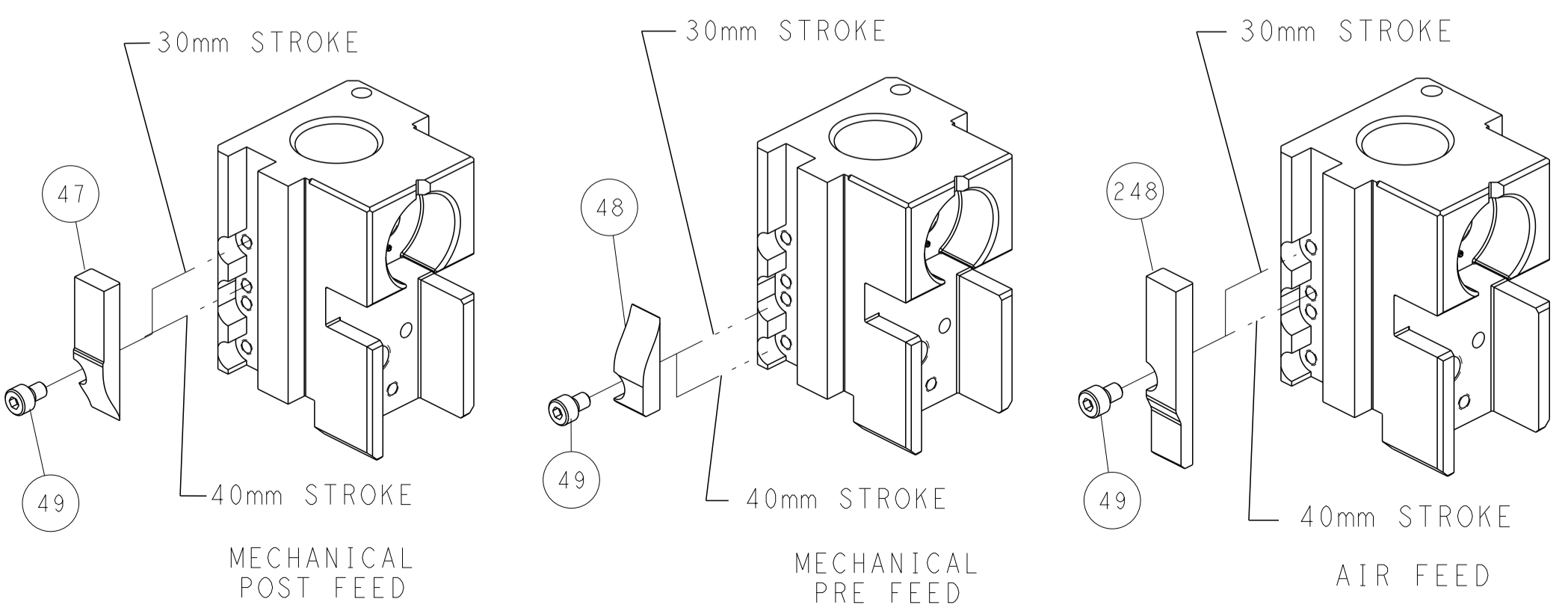
PNEUMATIC



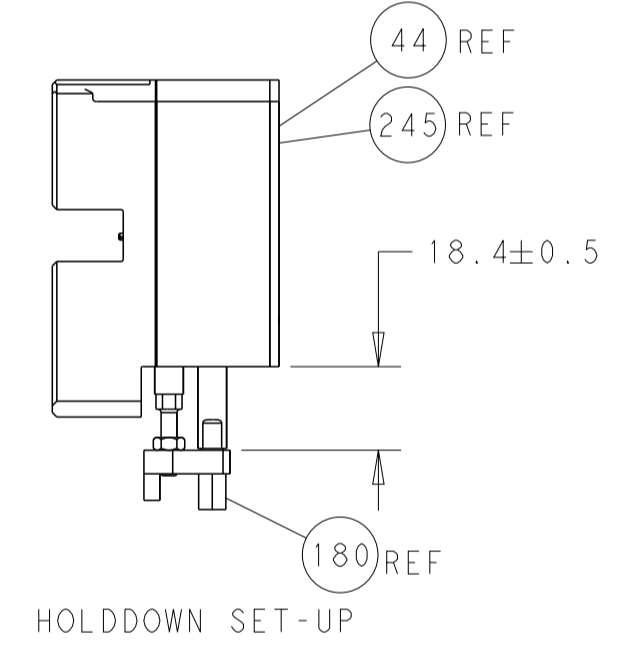
SERVO LATCH PLATE



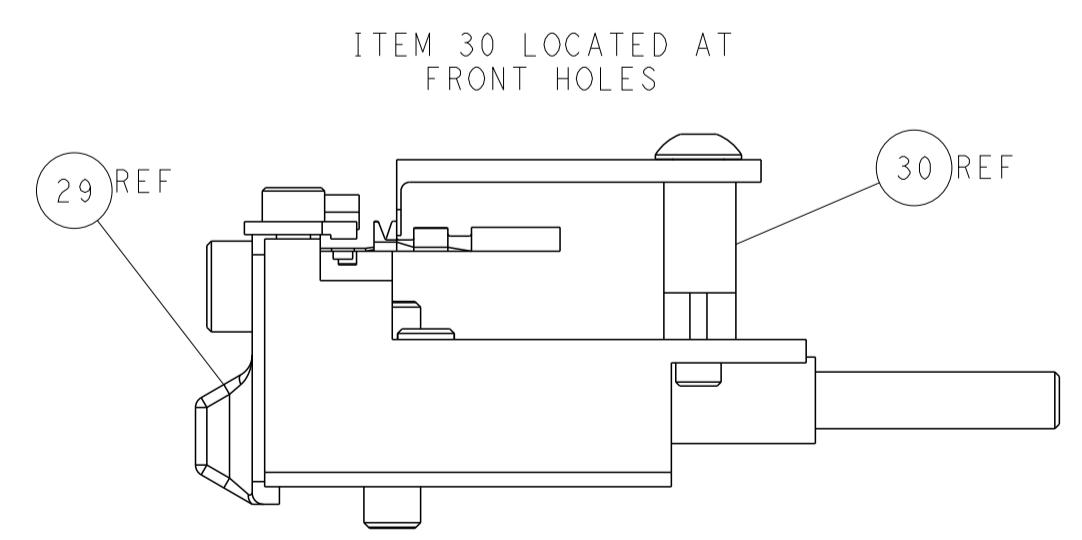
CAM POSITIONS



TERMINAL SUPPORT LOCATION



HOLDDOWN SET-UP



FEED TRACK POSITION GUIDE BY INSULATION BARREL

ATLANTIC VERSION
 Shown on sheets 1 of 4 & 2 of 4
 (Pacific version shown on sheets 3 of 4 & 4 of 4)

| | | | | | | | | | |
|--------------------|--|---|--|---|--|---|--|---|--|
| DIMENSIONS: mm | | TOLERANCES UNLESS OTHERWISE SPECIFIED: 0 PLC ± 1 PLC ± 2 PLC ± 3 PLC ± 4 PLC ± ANGLES ± FINISH ± | | DWN: BOB HIGMAN 23MAY2013 CHK: G. BAILEY 23MAY2013 APVD: M. CLIFFORD 23MAY2013 PRODUCT SPEC: APPLICATION SPEC: WEIGHT: | | NAME: Ocean Side Feed Applicator SIZE: A1 CAGE CODE: 00779 DRAWING NO: C-2151960 SCALE: 1:2 | | RESTRICTED TO: SHEET 2 OF 4 REV C | |
| MATERIAL: | | | | CUSTOMER ACCESSIBLE PRODUCTION DRAWING | | SHEETS 3 & 4 ARE NOT REQUIRED FOR ATLANTIC VERSION | | | |

| PART NUMBER | REVISION | DESCRIPTION | FEED TYPE | APPLICATOR STYLE CONVERSION CHART | | | | | | |
|-------------|----------|--------------------------|-------------------|-----------------------------------|-----------------------|-----------|-------------|-----------|-------------|------------------------|
| | | | | CONVERT TO | PART NUMBERS REQUIRED | | | | | |
| | | | | | 2119950-1 | 1338685-1 | 5-18022-5 | 2119641-2 | 2119799-1 | 2063440-1 |
| 2-2151960-1 | C | FINE CRIMP HEIGHT ADJUST | MECHANICAL | PNEUMATIC FEED | 2119950-1 | 1338685-1 | 5-18022-5 | 2119641-2 | 2119799-1 | 2063440-1 |
| | | | | SERVO LATCH PLATE | 2119951-1 | - | 8-2151960-5 | 1901094-3 | 1-1752354-6 | 2168400-6 (QUANTITY 2) |
| | | | | SMART APPLICATOR | 2161326-1 | - | 8-2151960-4 | - | - | - |
| 2-2151960-2 | C | FINE CRIMP HEIGHT ADJUST | PNEUMATIC | MECHANICAL FEED | 2119949-1 | 1338685-1 | 5-18022-5 | 2119653-2 | - | - |
| | | | | SERVO LATCH PLATE | 2119951-1 | - | 8-2151960-5 | 1901094-3 | 1-1752354-6 | 2168400-6 (QUANTITY 2) |
| | | | | SMART APPLICATOR | 2161326-1 | - | 8-2151960-4 | - | - | - |
| 2-2151960-5 | C | FINE CRIMP HEIGHT ADJUST | SERVO LATCH PLATE | 2119949-1 | 1338685-1 | 5-18022-5 | 2119653-2 | - | - | |
| 2-2151960-7 | C | FINE CRIMP HEIGHT ADJUST | NONE | - | - | - | - | - | - | |
| 7-2151960-7 | A | CRIMP TOOLING KIT | - | - | - | - | - | - | - | |

| APPLICATOR DATA | | |
|--------------------------------------|------|--|
| CRIMP SIZE | TYPE | |
| WIRE 1.50 mm [0.059] | F | |
| INSUL 1.65 mm [0.065] | O | |
| APPLICATOR INSTRUCTIONS 408-10389 | | |

| | |
|--|---|
| TERMINAL DATA: YAZAKI TERMINAL YAZAKI CRIMP SPECIFICATION | |
| TERMINAL NAME: 0.64 SYSTEM CONNECTOR | |
| WIRE STRIP LENGTH 4.00-4.50 mm [0.157-0.177 IN] | INSULATION DIAMETER RANGE ∅1.45-1.60 mm [0.057-0.063 IN] |
| TERMINAL APPLICATION SPECIFICATION 72-WT10-2568-1 Rev - | |
| TERMINALS APPLIED | |
| TE TERMINAL 1949407-1 | YAZAKI TERMINAL 7116-4720-02 |

| WIRE SIZE | CRIMP HEIGHT mm [INCH] | CRIMP HEIGHT REFERENCE SETTING |
|---------------------|---------------------------------|--------------------------------|
| 0.35mm ² | 0.90 +/- 0.05 [0.035 +/- 0.002] | 8.7 |
| 0.30mm ² | 0.90 +/- 0.05 [0.035 +/- 0.002] | 8.7 |

- △ RECOMMENDED SPARE PARTS
- △ GREASE BEARING SURFACES LIGHTLY
- 3. LUBRICATE DAILY PER THE APPLICATOR INSTRUCTION SHEET SUPPLIED WITH THE APPLICATOR.
- △ 4. APPLICATOR SPECIFIC DATA TO BE ENTERED INTO BLANK MEMORY CHIP AT ASSEMBLY. SEE BELOW FOR PART NUMBER:
MECHANICAL FEED WITH "SMART APPLICATOR" CONVERSION: 8-2151960-4
PNEUMATIC FEED WITH "SMART APPLICATOR" CONVERSION: 8-2151960-4
SERVO FEED WITH "FINE CRIMP HEIGHT ADJUST": 8-2151960-5
- 5. ADJUSTMENT OF THE STRIPPER MAY BE REQUIRED WHEN MOVING THE APPLICATOR BETWEEN BENCH AND LEADMAKER APPLICATIONS.
- △ 6. APPLY PART NUMBER 1-23419-5 LOCTITE TO THREADS OF ITEM 62 & 180. APPLY PART NUMBER 2-23419-6 LOCTITE TO THREADS OF ITEM 242.
- △ GREASE THREADS, GROOVE AND O-RING ON ITEMS 139 & 152.
- △ 8. MAGNET MUST BE ORIENTED CORRECTLY IN ORDER TO PROPERLY ACTUATE THE COUNTER.
- △ 9. CRIMP HEIGHT REFERENCE SETTING WAS THE SETTING USED WHEN THE APPLICATOR WAS QUALIFIED AT THE FACTORY. ADJUSTMENT MAY BE NECESSARY WHEN RUNNING APPLICATOR IN THE FIELD.
- △ 10. SPARE FEED CAM STORAGE LOCATION REFER TO INSTRUCTION SHEET FOR ADDITIONAL INFORMATION.
- △ 11. TO CONVERT THE APPLICATOR TO A NON-CARRIER CUTTING STYLE, REMOVE ITEM 13 AND ATTACH TO THE LOCATION ON BACK SIDE OF THE HOUSING. REFER TO INSTRUCTION SHEET FOR ADDITIONAL INFORMATION.

***WARNING**
ON INSTALLATION, SET WIRE DISC, ITEM 40 TO LARGEST WIRE SIZE SETTING. USE OF SETTINGS BELOW MINIMUM REQUIRED CRIMP HEIGHT SETTING WILL CAUSE DAMAGE TO CRIMP TOOLING.

| | | | | | | | |
|-----|-----|-----|-----|-----|-----------|-------------------------------------|---------|
| - | 1 | 1 | 1 | 1 | 2119782-1 | FINE ADJUST HEAD ASM, PACIFIC STYLE | 251 |
| - | - | - | 1 | - | 2119640-1 | PUSH ROD, AIR FEED | 250 |
| - | - | - | 1 | - | 2079988-1 | BUSHING, LCH5-12, MISMUMI | 249 |
| -77 | -27 | -25 | -22 | -21 | PART NO | DESCRIPTION | ITEM NO |

PACIFIC VERSION
Shown on sheets 3 of 4 & 4 of 4
(Atlantic version shown on sheets 1 of 4 & 2 of 4)

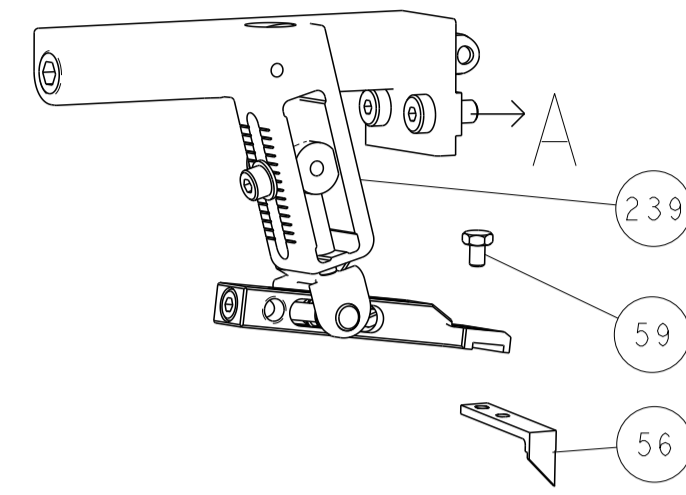
| SET UP GAUGE 2119599-1 | LOC A | DIST 66 | REVISIONS | | | |
|---------------------------|-------------|------------|-----------|------|---|--|
| P | LTN | DATE | OWN | APPD | | |
| - | SEE SHEET 1 | - | - | - | - | |

| ITEM NO | QTY | DESCRIPTION | DATE | OWN | APPD |
|---------|-----|---|------|-----|------|
| 246 | 1 | 1-22279-3 SPRING, COMPRESSION | | | |
| 244 | 1 | 2119082-8 CAM, SNAIL, INSULATION ADJUSTMENT | | | |
| 243 | 1 | 2079764-1 WASHER, WAVE SPRING, CREST-TO-CREST | | | |
| 242 | 1 | 2119083-1 RETAINER, INSULATION DIAL | | | |
| 241 | 1 | 7-18023-7 SCR, SKT HD CAP M3 X 4.0 | | | |
| 240 | 2 | 2168400-6 SHCS, LOW HEAD, RoHS, M5 X 16 | | | |
| 239 | - | 2119580-1 MECHANICAL FEED ASSEMBLY | | | |
| 238 | - | 2063440-1 AIR FEED MODULE | | | |
| 213 | 1 | 2119740-2 TAG, IDENTIFICATION | | | |
| 198 | 1 | 1901094-3 SPACER, FEEDER | | | |
| 180 | 1 | 1-1752354-6 STANDOFF, HOLD-DOWN | | | |
| 177 | 1 | 6-993111-6 PIN, SLOTTED SPRING 3.0 X 14.0 | | | |
| 176 | 1 | 8-22280-7 SPRING, COMPRESSION | | | |
| 175 | 1 | 1752353-2 GUIDE PIN, HOLDDOWN | | | |
| 174 | 1 | 1901680-2 GUIDE PIN, HOLDDOWN | | | |
| 172 | 2 | 21045-3 RING, RETAIN, EXTERN, 3/16 CRESCENT | | | |
| 166 | 1 | 994969-1 MAGNET, RARE EARTH HIGH ENERGY | | | |
| 164 | REF | 994970-2 COUNTER, MAGNETIC | | | |
| 163 | 1 | 240638-1 SPRING, FEED FINGER | | | |
| 152 | 1 | 8-21084-1 O-RING, .801 ID, .070 DIA. MAT. | | | |
| 151 | - | 2119641-2 FEED CAM, AIR FEED | | | |
| 145 | 1 | 2119798-2 DETENT PIN | | | |
| 144 | 1 | 2079383-8 SCR, BHSC, RoHS (M4 X 16) | | | |
| 143 | 4 | 2168400-5 SHCS, LOW HEAD, RoHS, M4 X 20 | | | |
| 142 | - | 2119653-2 FEED CAM, POST FEED | | | |
| 141 | 1 | 1-2119656-0 APPLICATOR BASIC ASSEMBLY, SF | | | |
| 140 | 1 | 2119650-1 RAM, ASIAN STYLE, SIDE FEED | | | |
| 139 | 1 | 2119092-2 BOLT, ADJUSTMENT | | | |
| 137 | - | 3-23627-7 PIN, RETAIN, GRVD, 3/16 X .854 | | | |
| 136 | - | 2119799-1 HOLDER, FEED FINGER, AF | | | |
| 135 | REF | SEE NOTE 4 MEMORY CHIP, PROGRAMMED | | | |
| 133 | 1 | 1633743-1 SERVO FEED LATCH ASM | | | |
| 119 | 1 | 1-18028-2 WASHER, FLAT, REG M4 | | | |
| 117 | REF | 2119944-1 FEED FINGER ASSEMBLY, SF | | | |
| 82 | 1 | 455888-8 SPACER, CRIMPER | | | |
| 71 | 1 | 2119956-1 DOCUMENTATION PACKAGE | | | |
| 70 | 1 | 2119791-5 DEPRESSOR, WIRE | | | |
| 67 | 1 | 2119740-1 TAG, IDENTIFICATION | | | |
| 66 | 2 | 2168078-1 SCREW, DRIVE, RH, RoHS, 2 X .188 | | | |
| 63 | 1 | 2119793-1 LIMITER, ADJUSTMENT BOLT | | | |
| 62 | 3 | 992763-5 SCR, SET, SOC, CONE POINT, M3 X 4.0 | | | |
| 59 | - | 5-18022-5 SCR, HEX HD CAP, M4 X 6.0 | | | |
| 56 | - | 1338685-1 PAWL, FEED | | | |
| 52 | 1 | 1-5018030-0 NUT, HEX, REG, RoHS, M3.5 | | | |
| 51 | 1 | 1901681-1 HOLDDOWN, TERMINAL | | | |
| 49 | - | 18023-9 SCR, SKT HD CAP M4 X 6.0 | | | |
| 48 | - | 2119652-1 FEED CAM, PRE FEED | | | |
| 41 | 1 | 2079383-7 SCR, BHSC, RoHS (M8 X 25) | | | |
| 40 | 1 | 2119645-1 DISC, NUMBERED FA WIRE ADJUSTMENT | | | |
| 39 | 1 | 2119957-1 APPLICATOR SHIM PACK | | | |
| 38 | 1 | 2119644-1 RAM WASHER, PRECISION | | | |
| 34 | 1 | 2-1752356-0 SUPPORT, TERMINAL | | | |
| 33 | 2 | 2079383-5 SCR, BHSC, RoHS (M4 X 20) | | | |
| 32 | 1 | 2161328-1 HEX HEAD, FLANGED, M5 X 8mm LONG | | | |
| 30 | 1 | 1320908-6 SPACER, STRIP GUIDE | | | |
| 29 | 1 | 2119959-2 ASSEMBLY, STRIP GUIDE | | | |
| 24 | 1 | 1320928-2 STRIP GUIDE | | | |
| 21 | 1 | 2168083-2 SCR, SKT HD CAP, RoHS, M4 X 8.0 | | | |
| 20 | 1 | 1-18028-2 WASHER, FLAT, REG M4 | | | |
| 19 | 1 | 2119533-1 STRIPPER, SIDE FEED | | | |
| 13 | 1 | 2119806-1 INSERT, SHEAR | | | |
| 12 | 1 | 3-22280-3 SPRING, COMPRESSION | | | |
| 11 | 1 | 1-356885-4 STOP, SHEAR | | | |
| 10 | 1 | 2119805-1 SHEAR HOLDER, FRONT | | | |
| 9 | 1 | 1803095-6 FLOATING SHEAR, FRONT | | | |
| 8 | 1 | 2-1633932-9 ANVIL, COMBINATION | | | |
| 7 | - | - | | | |
| 6 | - | - | | | |
| 5 | 1 | 2119757-8 DEPRESSOR, SHEAR | | | |
| 4 | 1 | 1-238011-8 BLOCK, CRIMPER SPACER | | | |
| 3 | 1 | 2-1803019-5 CRIMPER, INSULATION O | | | |
| 2 | 1 | 455888-8 SPACER, CRIMPER | | | |
| 1 | 1 | 3-568176-8 CRIMPER, WIRE | | | |

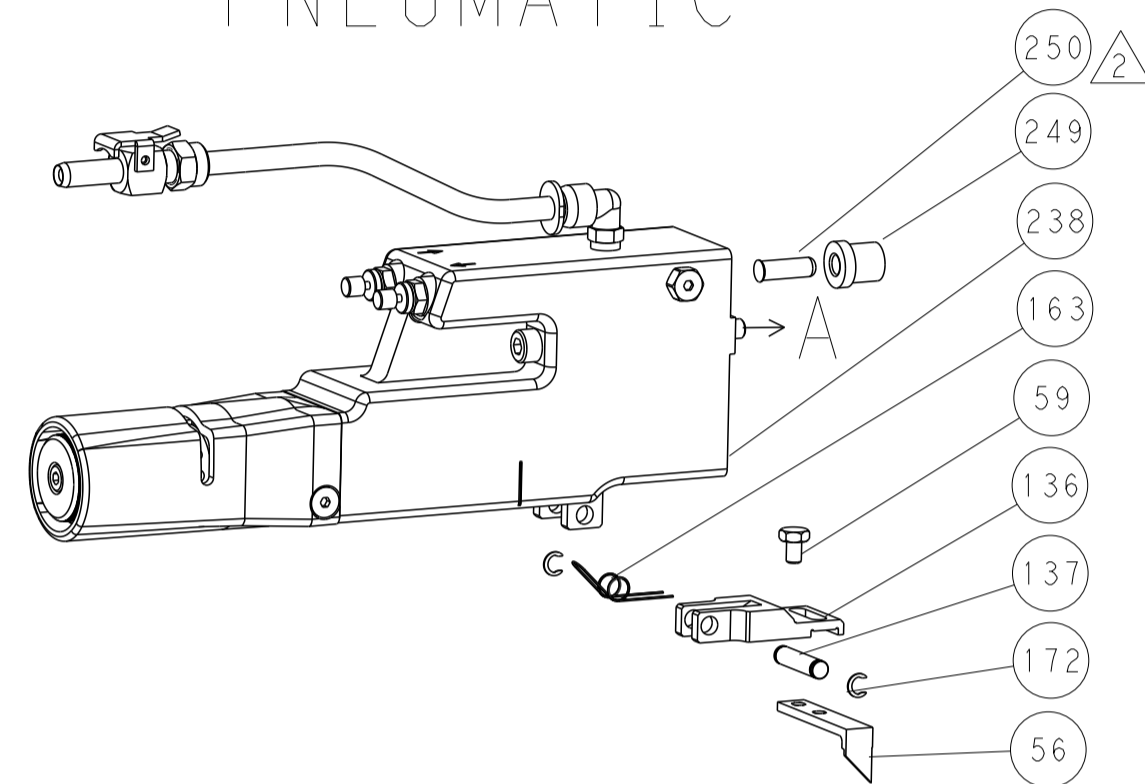
| | | | | | |
|--|--|-----------------|----------------------------|-------------------|--------------------|
| THIS DRAWING IS UNPUBLISHED. RELEASED FOR PUBLICATION | | DATE: 23MAY2013 | BY: BOB HIGMAN | APPD: M. CLIFFORD | PRODUCT SPEC |
| COPYRIGHT 20 BY TYCO ELECTRONICS CORPORATION, ALL RIGHTS RESERVED. | | DATE: 23MAY2013 | BY: G. BAILEY | APPD: M. CLIFFORD | PRODUCT SPEC |
| PACIFIC VERSION TERMINATOR INTERFACE ADAPTER | | NAME | Ocean Side Feed Applicator | | |
| APPLICATOR DATA | | SIZE | CAGE CODE DRAWING NO | | RESTRICTED TO |
| APPLICATOR INSTRUCTIONS 408-10389 | | SCALE | 1:2 | | SHEET 3 OF 4 REV C |

| LOC | DIST | REVISIONS | | | | | |
|-----|------|-----------|-----|-------------|------|-----|------|
| | | P | LTN | DESCRIPTION | DATE | DMN | APVD |
| A | 66 | - | - | SEE SHEET 1 | - | - | - |

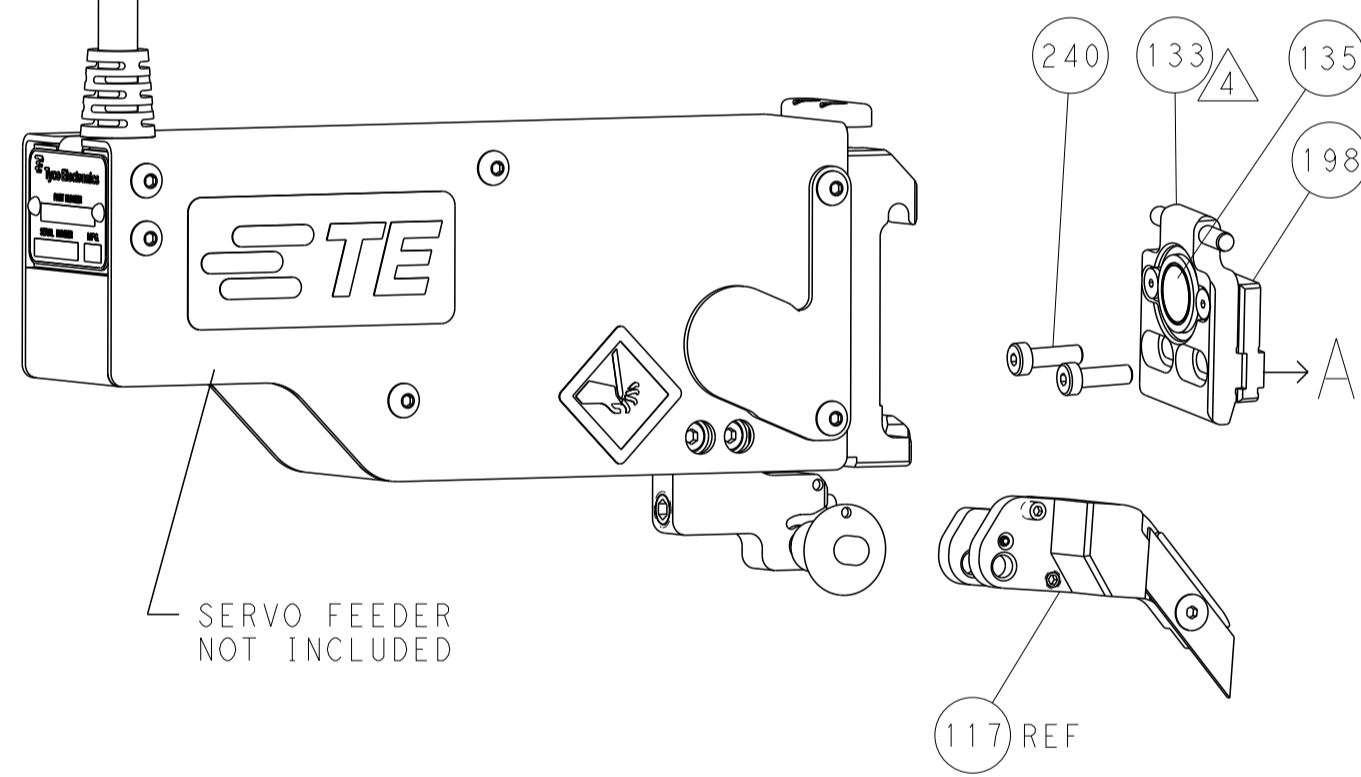
FEED TYPE MECHANICAL



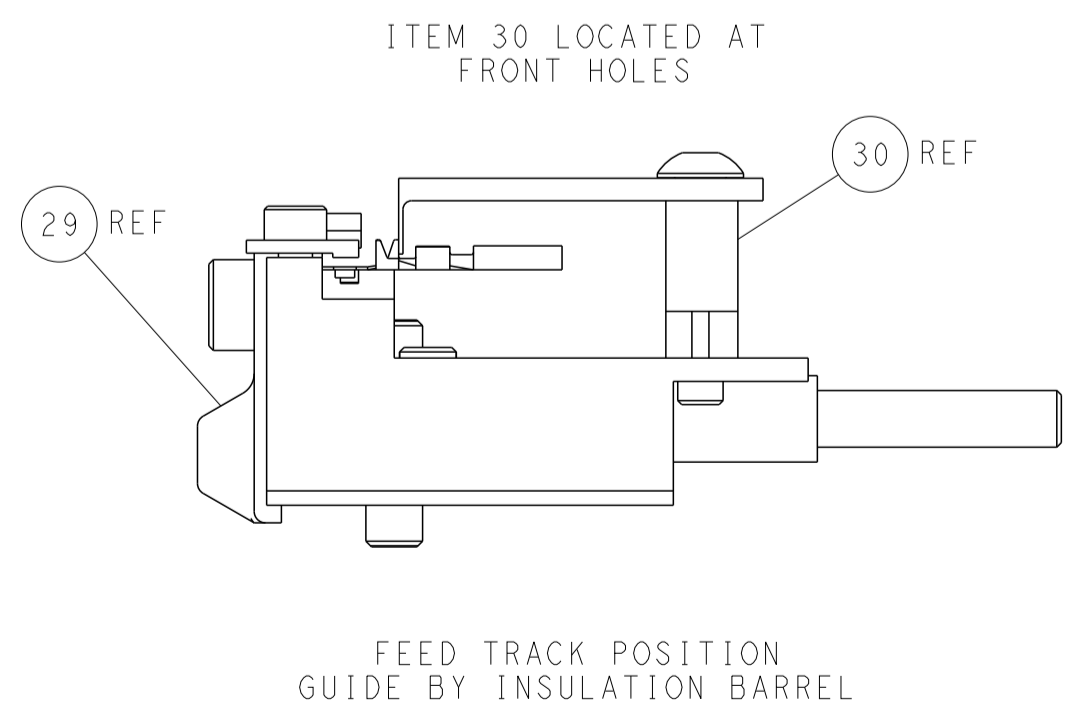
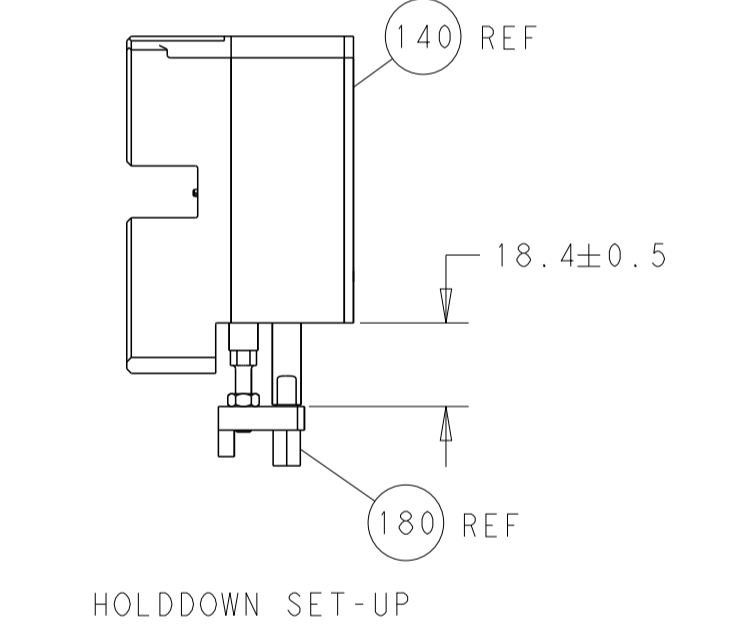
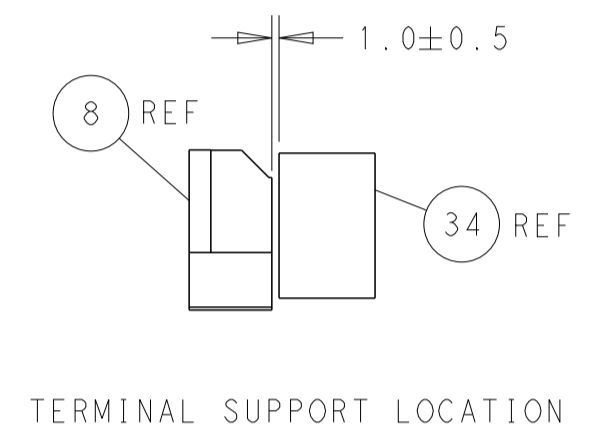
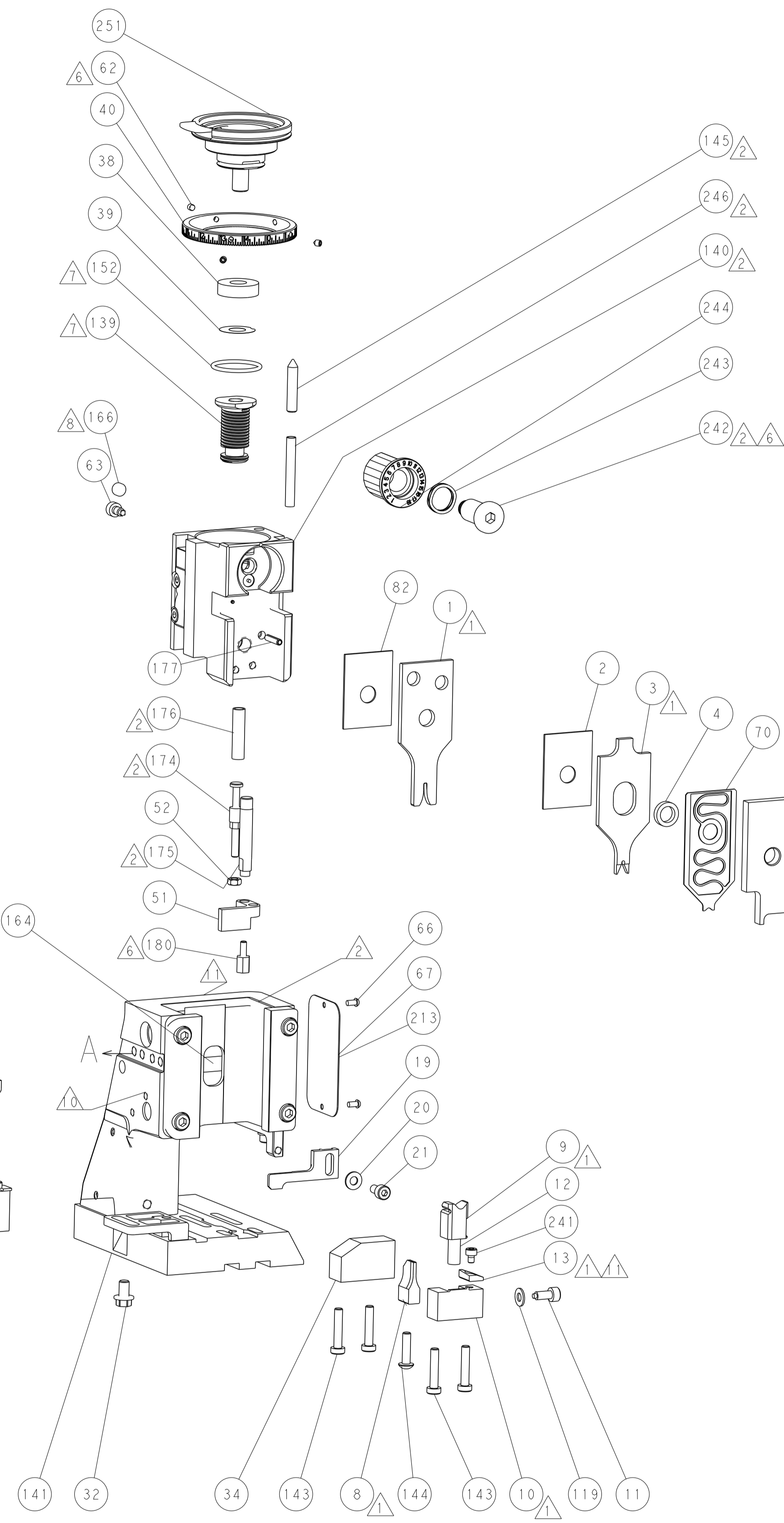
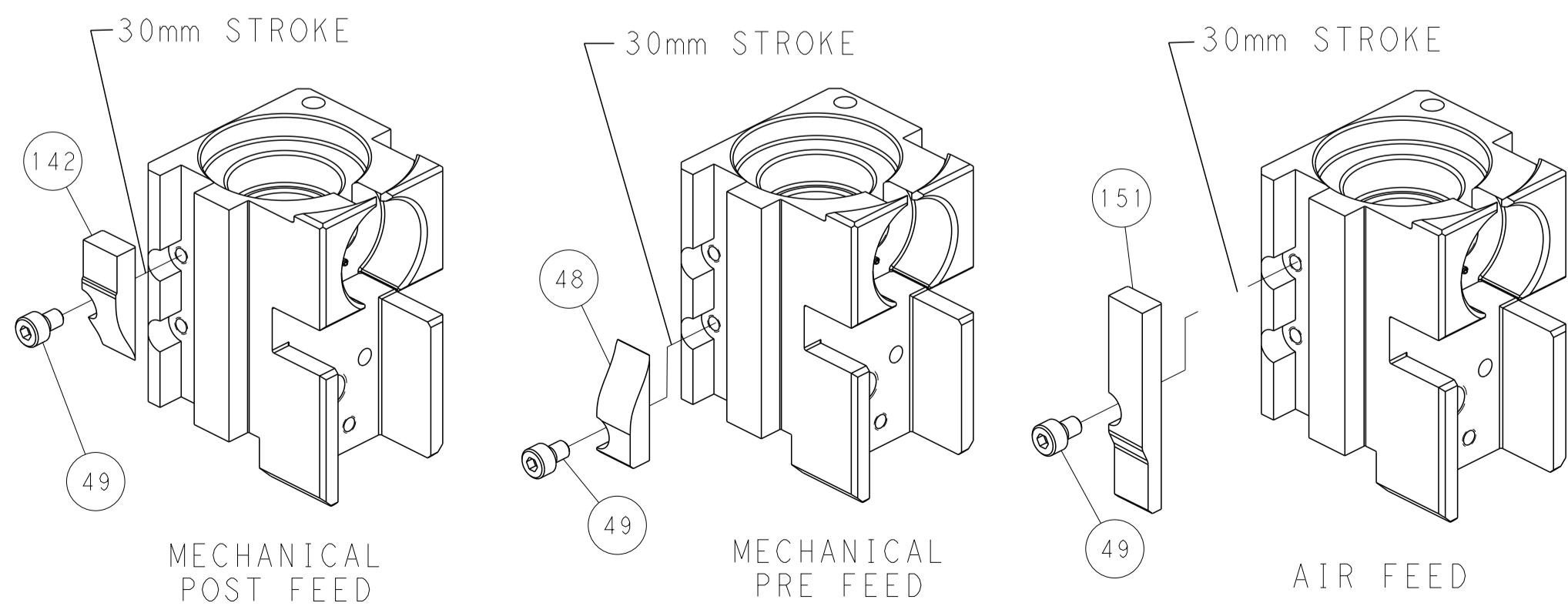
PNEUMATIC



SERVO LATCH PLATE



CAM POSITIONS



PACIFIC VERSION
 Shown on sheets 3 of 4 & 4 of 4
 (Atlantic version shown on sheets 1 of 4 & 2 of 4)

| | | | | | | | | | |
|-----------------------|--|---|--|--|--|--|--|----------------|--|
| DIMENSIONS: mm | | TOLERANCES UNLESS OTHERWISE SPECIFIED: 0 PLC ± 1 PLC ± 2 PLC ± 3 PLC ± 4 PLC ± ANGLES ± FINISH ± | | DWG: BOB_HIGMAN 23MAY2013 CHK: G_BAILEY 23MAY2013 APVD: M_CLIFFORD 23MAY2013 PRODUCT SPEC APPLICATION SPEC WEIGHT Customer Accessible Production Drawing | | NAME: Ocean Side Feed Applicator SIZE: A1 CAGE CODE: 00779 DRAWING NO: C-2151960 SCALE: 1:2 SHEET: 4 of 4 REV: C | | RESTRICTED TO: | |
|-----------------------|--|---|--|--|--|--|--|----------------|--|