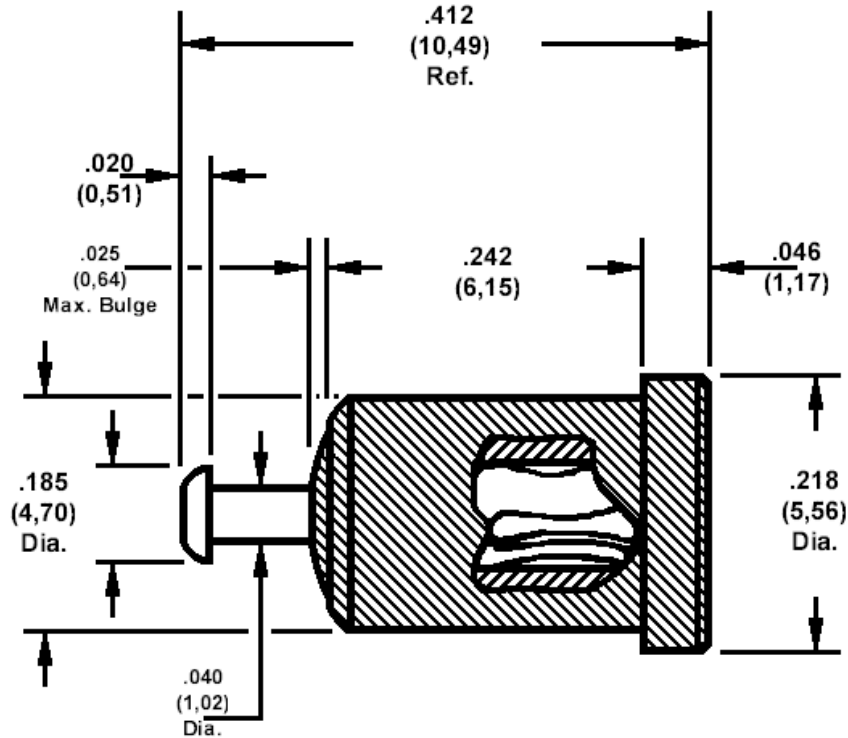


## 450-5237 Teflon Insulated, press mount socket, for .050 (1,27) diameter pins

Recommended mounting hole .172 (4,37) ±.002 (0,05).



Min hole depth .214 (5,44)

### How to order code

**450-5237-01-03-19**

*Consult factory for other finishes and colours*

MATERIALS		
Component	Material	Finish(-03)
Body	Brass	Gold over Nickel
Spring	Beryllium copper	Gold over Nickel
Insulator	PTFE	White (others to order)

ADDITIONAL INFORMATION			
Basic Part No	For Panel Thickness	Flashover at sea level (VRMS)	Capacitance (pF)
450-5237-01-03-19	.031 (0,79) to .094 (2,39)	2500	.7

Teflon is a registered trademark of Dupont