

2mm Pitch, Multi Functional Connector System (Floating [Board-to-Board], Swing-Lock [Wire-to-Board], Short-Circuit Pin)

DF59 Series



■ Features

● Common to all series

1. High Operating Temperature

DF59's are rated at temperatures up to 105 °C.

● DF59

2. Swing Lock Structure (Wire-to-Board)

The DF59 features a "swing-lock" mechanism that employs both a positive and friction lock. This helps to prevent accidental unmating by severe wiring and mechanical stress.

3. Short-Circuit Pin

The Short-Circuit Pin allows the termination of an open circuit. Typically used at the end of a series of connected circuit boards.

4. Multi Function Design

The DF59 has the ability to function as either a Board-to-Wire or Board-to-Board System. The PCB mounted receptacle is designed to mate with the W-to-B, B-to-B, and Short Circuit Pin connectors. This multi function ability allows versatility while keeping connectors to a minimum.

5. Contact Design

The terminal design features two-point contact to ensure a highly reliable connection.

6. Common Applicator

Crimping can be performed using the applicator (AP105-DF11-22S) for the existing series DF11-22S C F(A), by replacing the die with the one for DF59 series.

* For crimping quality standards and crimping conditions, crimping needs to be performed in accordance with the specific conditions of DF59-22PCFA.

● Common to DF59/59S/59SN

7. Floating Structure (Board-to-Board)

The Board-to-Board connector can be used to connect two PCB together in a co-planar arrangement and features a "Stress free contact" that floats $\pm 0.5\text{mm}$ in the X, Y and Z dimensions.

8. Space Savings

The DF59 series offers high performance in a compact, space saving design; featuring a 2mm pitch and coupled with a mated height of only 2.48mm with AWG#22 cable. The single position floating plugs DF59S and DF59SN are specifically designed to save space, and can be mounted in high density applications.

9. Robust locking structure on DF59M (W-to-B Connection)

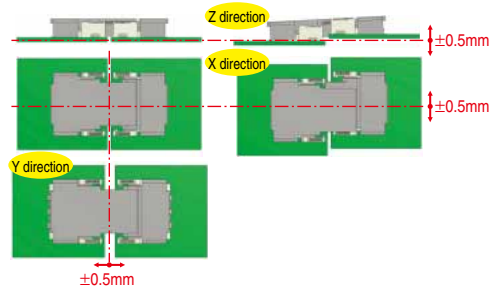
The lock mechanism on compact DF59M provides 16N horizontal lock strength. (Fig.4)

10. Standardization of PCB layout

The DF59S/SN type is used on board-to-board connections, and the DF59M type is intended for wire-to-board connections. Although they have different receptacles, the PCB mounting pattern can be used for these two types. Different combinations of these connectors can be used in the same system with a common PCB. This allows for standardization of PCB. (Fig.5)

(Note) Each stencil mask is necessary

DF59 floating amount $\pm 0.5\text{mm}$ (X, Y, Z directions)



DF59S/SN floating amount

$\pm 0.5\text{mm}$ (X, Y direction), $\pm 0.2\text{mm}$ (Z direction)

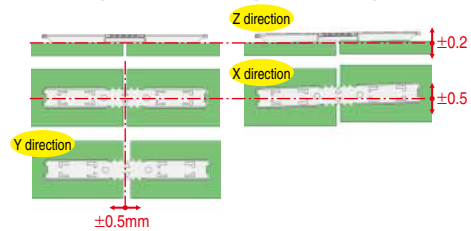


Fig.1

◆ Swing-Lock Structure (Board-to-Wire Type)

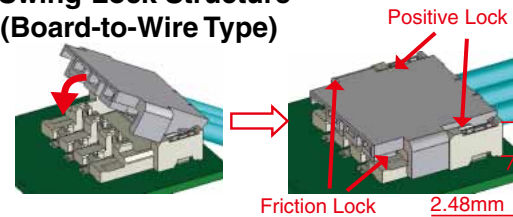


Fig.2

◆ Short-Circuit Pin

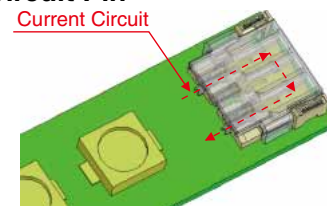


Fig.3

◆ W-to-B structure (DF59M)

Clear tactile click and high locking strength achieved by the robust locking mechanism
Mating force : 16N min. (in a horizontal direction)



Fig.4

◆ Standardization of PCB pattern

DF59S/SN type and DF59M type can be used in the same system by using a common PCB.



Fig.5

Product Specifications

| | | | | |
|---------|----------------|-----------|--|---|
| Ratings | Current rating | DF59/S/SN | 3A | Operating Temperature : -40 to 105°C (Note 1) Operating Humidity Range : 20 to 80% |
| | | DF59M | 6A (22 AWG), 5A (24 AWG) 4A (26 AWG), 3A (28 AWG) | |
| | Voltage rating | DF59/S/SN | AC/DC 230V (Note 3) | Storage Temperature Range : -10 to 60°C (Note 2) Storage Humidity Range : 40 to 70% (Note 2) |
| | | DF59M | AC/DC 350V (Note 3) | |

| Items | Specifications | | Conditions |
|--------------------------------|---|---------------------|--|
| 1.Contact resistance | DF59-*P-2FC/SP DF59S/SN | 50mΩ min. | Under 6V DC, must be measured by 100mA (DC or 1000Hz) |
| | DF59M-1S-H | 45mΩ min. | |
| | DF59-*P-2C | 30mΩ min. | |
| 2.Vibration | No electrical discontinuity over 1μs. | | Frequency 10 to 55Hz, single amplitude 0.75mm, 3 directions, 10 cycles each |
| 3.Shock | No electrical discontinuity over 1μs. | | Acceleration 490 m/s ² , 11ms; duration, sine half-wave 3 cycles in each of the 3 axis. |
| 4.Humidity | | ■Contact resistance | Temperature 40 ± 2°C, humidity 90 to 95%, left for 96 hours |
| | DF59-*P-2FC/SP DF59S/SN | 50mΩ min. | |
| | DF59M | 45mΩ min. | |
| | DF59-*P-2C | 30mΩ min. | |
| 5.Temperature cycle | | ■Contact resistance | (-55°C: 30 min. → 5-35°C: 2 to 3 min. → 85°C: 30 min. → 5-35°C: 2 to 3 min.) 5 cycles |
| | DF59-*P-2FC/SP DF59S/SN | 50mΩ min. | |
| | DF59M | 45mΩ min. | |
| | DF59-*P-2C | 30mΩ min. | |
| 6. Operating Life | | ■Contact resistance | ■Number of insertion and withdrawal force |
| | DF59-*P-2FC/SP | 50mΩ min. | 30 times |
| | DF59-*P-2FC/SP DF59S/SN | | 10 times |
| | DF59M | 45mΩ min. | 20 times |
| | DF59-*P-2C | 30mΩ min. | 10 times |
| 7.Resistance to soldering heat | No melting of resin which affect the performance. | | Reflow : Depends on recommended temperature profile. Hand soldering : Soldering iron temperature 350 ± 10°C, 3 sec. |

Note 1 : Including temperature rise caused by current flow.

Note 2 : The term "storage" refers to products stored for long period of time prior to mounting and use.

Operating temperature and humidity range covers connectors after installation, storage, shipment or during transportation.

Note 3 : The rated voltage is the applied voltage when connectors are mounted parallel to each other on the PCB with a distance of 1.6mm or more between them. Hirose recommends his mounting distance.

This mounting distance is required in order to prevent creepage between the printed wiring to maintain an effective voltage of 300V, according to IEC 60664 and JIS C 60664 standards.

Materials / Finish

| Items | | Parts | Materials | Treatment | UL Specification |
|---------------|--------|-----------|-----------------|-------------|------------------|
| Receptacle | DF59 | Insulator | LCP | Natural | UL94V-0 |
| | DF59S | Contact | Phosphor bronze | Gold plated | _____ |
| | DF59M | | | Tin plated | |
| Floating plug | DF59 | Insulator | PBT | White | UL94V-0 |
| | | Contact | Brass | Gold plated | _____ |
| | DF59S | Insulator | LCP | Natural | UL94V-0 |
| | | Contact | Brass | Tin plated | _____ |
| | DF59SN | Insulator | LCP | Natural | UL94V-0 |
| | | Contact | Brass | Tin plated | _____ |
| Crimp contact | DF59M | Contact | Copper Alloy | Tin plated | _____ |
| Short pin | | Insulator | PBT | White | UL94V-0 |
| | | Contact | Brass | Gold plated | _____ |
| Crimp case | | Insulator | PBT | White | UL94V-0 |
| Crimp contact | | Contact | Phosphor bronze | Gold plated | _____ |

Ordering Information

Please refer to the ordering information below for each connector type

●Receptacle

DF 59 # - * S - * V

① ② ③ ④ ⑤ ⑥ ⑦

| | |
|---|---|
| ① Series Name : DF | ⑥ Pitch None : Single contact type 2 : Standard 2mm (4mm : Without the central contact) |
| ② Series No. : 59 | |
| ③ None : Standard S : B-to-B type M : W-to-B type | ⑦ Termination form V : SMT straight type (B-to-B type) H : SMT right angle type (W-to-B type) |
| ④ Number of contacts : 1, 2, 3, 4 | |
| ⑤ Type of connector S : Receptacle | |

●Plug

DF 59 # - * P - * FC

① ② ③ ④ ⑤ ⑥ ⑦

| | |
|---|--|
| ① Series Name : DF | ⑤ Type of connector P : Plug |
| ② Series No. : 59 | |
| ③ None : Standard S : Single contact type SN : Single contact slim type | ⑥ Pitch 2 : DF59 : 2mm (4mm : Without the central contact) None : DF59S/SN/M |
| ④ Number of contacts DF59 : 2, 3, 4 DF59S/SN : 1 | |
| ⑦ Termination form FC : Floating | |

●Short-Circuit pin

DF 59 - * P - 2 SP

① ② ③ ④ ⑤ ⑥

| | |
|---------------------------------|--------------------------------------|
| ① Series Name : DF | ⑤ Pitch : 2mm |
| ② Series No. : 59 | |
| ③ Number of contacts : 2, 3, 4 | ⑥ Termination form SP : Short Pin |
| ④ Type of connector P : Plug | |

●Crimp Socket

DF 59 - * P - 2 C

① ② ③ ④ ⑤ ⑥

| | |
|---------------------------------|--------------------------------------|
| ① Series Name : DF | ⑤ Pitch : 2mm |
| ② Series No. : 59 | |
| ③ Number of contacts : 2, 3, 4 | ⑥ Termination form C : Crimp case |
| ④ Type of connector P : Plug | |

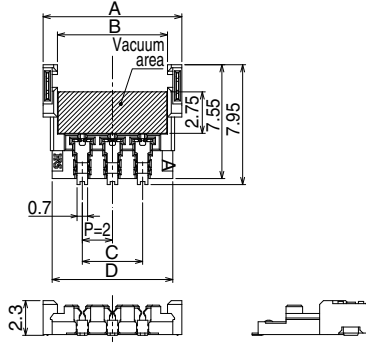
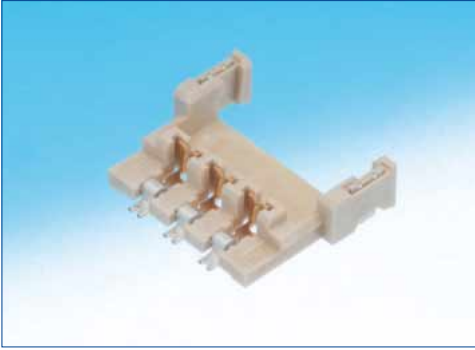
●Contact (W-to-B)

DF 59 M - 2224 PCF

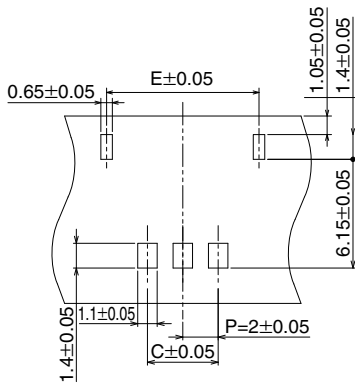
① ② ③ ④ ⑤

| | |
|--|---|
| ① Series Name : DF | ⑤ Form Type/Package Type/Plating type PCFA : Plug crimping contact-Reel contact-Gold plating PCA : Plug crimping contact-Bulk contact-Gold plating PCF : Plug crimping contact-Reel contact-Tin plating PC : Plug crimping contact-Bulk contact-Tin plating |
| ② Series No. : 59 | |
| ③ None : Standard M : Single contact type (W-to-B M=micro) | |
| ④ Applicable Wire 22 : 22 AWG 2224 : 22 to 24 AWG 2628 : 26 to 28 AWG | |

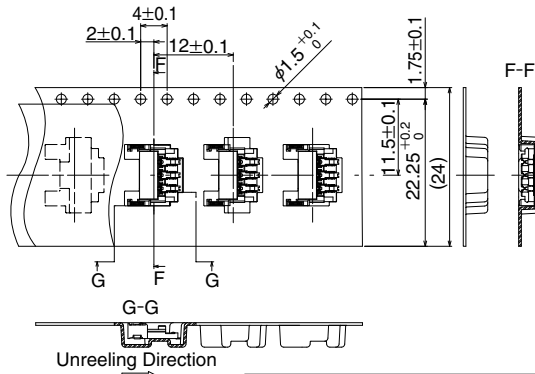
■ Straight Receptacle (SMT)



● Recommended PCB Dimensions (t=1.6mm)



● Packaging Dimensions



[Specification No.]
(51) : Gold plating, emboss packaging

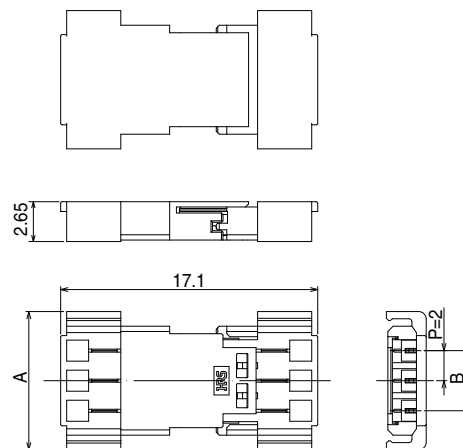
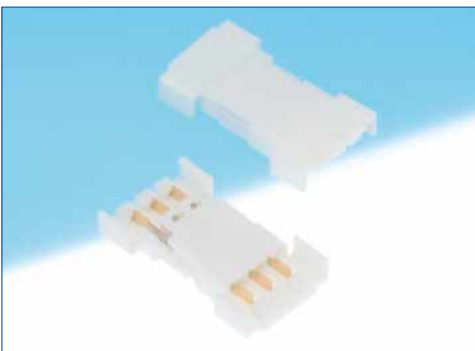
Unit : mm

| Part No. | HRS No. | No. of contacts | A | B | C | D | E |
|----------------|---------------|-----------------|------|-----|-----|------|-------|
| DF59-2S-2V(51) | 667-0001-0 51 | 2 | 7.2 | 5.3 | 2.0 | 6.0 | 6.62 |
| DF59-3S-2V(51) | 667-0002-3 51 | 3 | 9.2 | 7.3 | 4.0 | 8.0 | 8.62 |
| DF59-4S-2V(51) | 667-0003-6 51 | 4 | 11.2 | 9.3 | 6.0 | 10.0 | 10.62 |
| DF59-2S-4V(51) | 667-0021-8 51 | 2* | 9.2 | 7.3 | 4.0 | 8.0 | 8.62 |

* DF59-2S-4V(51) is made by removing the middle pin of DF59-3S-2V(51) at the factory.

Note : Please order in full reel quantities. (2,000 pcs/reel)

■ Floating Plug



[Specification No.]
(50) : Gold plating, tray packaging

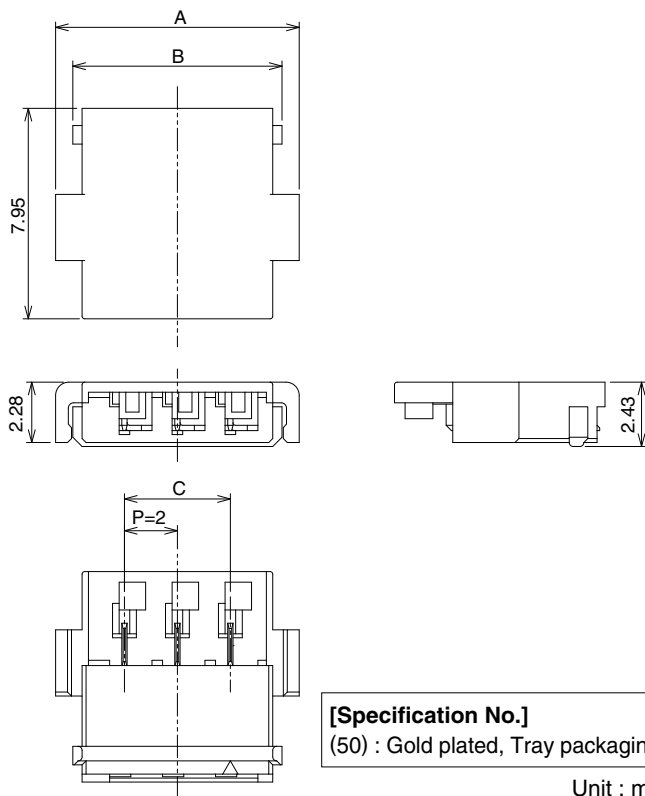
Unit : mm

| Part No. | HRS No. | No. of contacts | A | B | Packaged Quantity/Tray |
|-----------------|---------------|-----------------|------|-----|------------------------|
| DF59-2P-2FC(50) | 667-0006-4 50 | 2 | 7.2 | 2.0 | 50 |
| DF59-3P-2FC(50) | 667-0007-7 50 | 3 | 9.2 | 4.0 | |
| DF59-4P-2FC(50) | 667-0008-0 50 | 4 | 11.2 | 6.0 | |
| DF59-2P-4FC(50) | 667-0020-5 50 | 2* | 9.2 | 4.0 | |

* DF59-2P-4FC(50) is made by removing the middle pin of DF59-3P-2FC(50) at the factory.

Note : Please order in full tray quantities. (50 pcs/tray)

Short-Circuit Pin



[Specification No.]
(50) : Gold plated, Tray packaging

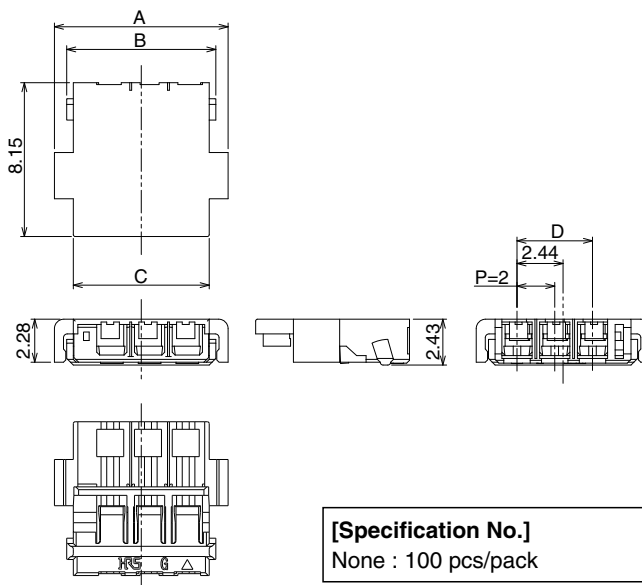
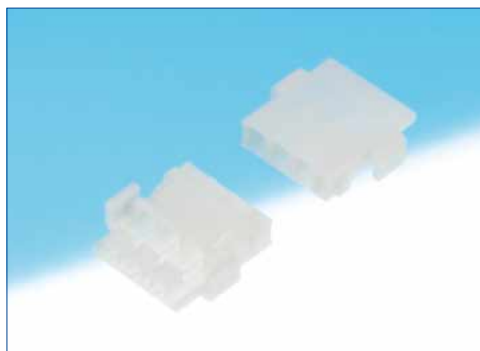
Unit : mm

| Part No. | HRS No. | No. of contacts | A | B | C | Packaged Quantity/Tray |
|-----------------|---------------|-----------------|------|-----|-----|------------------------|
| DF59-2P-2SP(50) | 667-0017-0 50 | 2 | 7.2 | 5.9 | 2.0 | 100 |
| DF59-3P-2SP(50) | 667-0018-3 50 | 3 | 9.2 | 7.9 | 4.0 | |
| DF59-4P-2SP(50) | 667-0046-9 50 | 4 | 11.2 | 9.9 | 6.0 | |

Note : Please order in full tray quantities.

Note : For 4 pos. type contact No.1 and 2, No.3 and 4 are connected respectively.

Crimp Socket



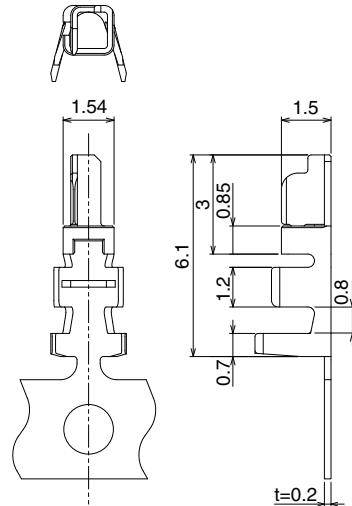
[Specification No.]
None : 100 pcs/pack

Unit : mm

| Part No. | HRS No. | No. of contacts | A | B | C | D |
|------------|---------------|-----------------|------|-----|-----|-----|
| DF59-2P-2C | 667-0011-4 00 | 2 | 7.2 | 5.9 | 5.2 | 2.0 |
| DF59-3P-2C | 667-0012-7 00 | 3 | 9.2 | 7.9 | 7.2 | 4.0 |
| DF59-4P-2C | 667-0013-0 00 | 4 | 11.2 | 9.9 | 9.2 | 6.0 |

Note : Please order in full pack quantities. (100 pcs/pack)

■ Crimp contact



| Part No. | HRS No. | Packaging | Quantity | Treatment |
|-------------|---------------|-----------------------|------------------------|-------------|
| DF59-22PCFA | 667-0016-8 00 | Reel contact (Note 1) | 10,000 contacts / reel | Gold plated |
| DF59-22PCA | 667-0022-0 00 | Bulk contact (Note 2) | 100 contacts / pack | |

Note 1 : Please order reel contacts by full reel quantities. (10,000 pcs/reel)

Note 2 : Please order loose piece contacts in full pack. (100 pcs/pack)

● Applicable Wire (Tin plated soft copper wire)

| Conductor Size (Wire Constitution) | Jacket Diameter |
|------------------------------------|-------------------------|
| 22 AWG (17 / ϕ 0.16mm) | UL1061 (ϕ 1.26mm) |
| | UL3265 (ϕ 1.38mm) |

● Recommended Wire

UL1061, UL3265

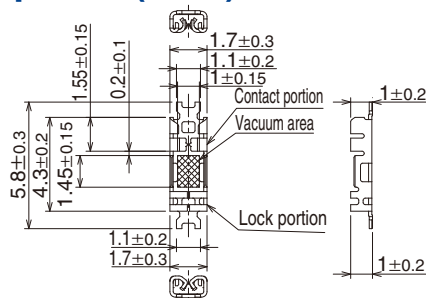
● Strip Length

1.7 to 2.3mm

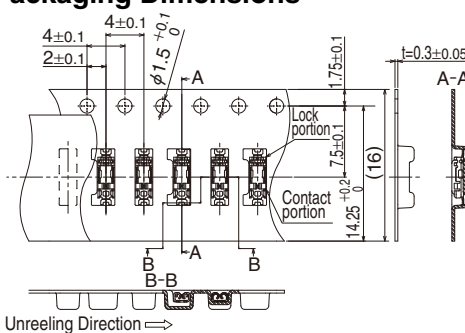
Note : Please contact your nearest Hirose Sales Representative for information regarding compatible wire Remarks: Please consult with our sales representative when using wires other than applicable wire.

Note : The strip length is a reference value. Please make adjustments so finished crimps will meet the specified values. Refer to the crimping quality standards (ATAD-H0504) for details.

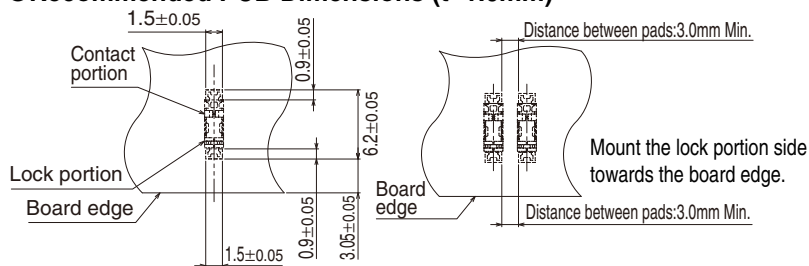
Single Contact Type Straight Receptacle (SMT)



●Packaging Dimensions



●Recommended PCB Dimensions (t=1.6mm)

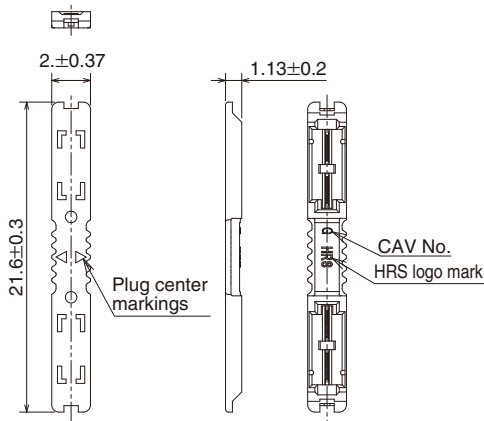


| Part No. | HRS No. |
|----------------|---------------|
| DF59S-1S-V(21) | 667-0024-6 21 |

[Specification No.]
(21) : Tin plating, emboss packaging

Note : Please order in full reel quantities. (10,000 pcs/reel)

Single Contact Type Floating Plug

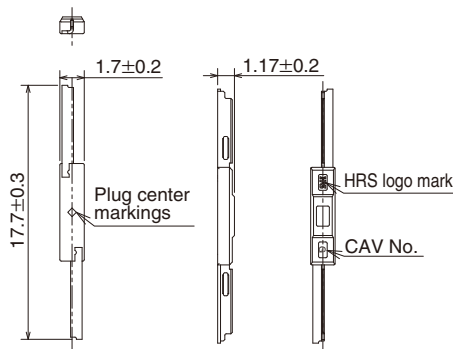


| Part No. | HRS No. |
|-----------------|---------------|
| DF59S-1P-FC(21) | 667-0023-3 21 |

[Specification No.]
(21) : Tin plating, emboss packaging

Note : Please order in full reel quantities. (10,000 pcs/reel)

Single Contact Slim Type Floating Plug



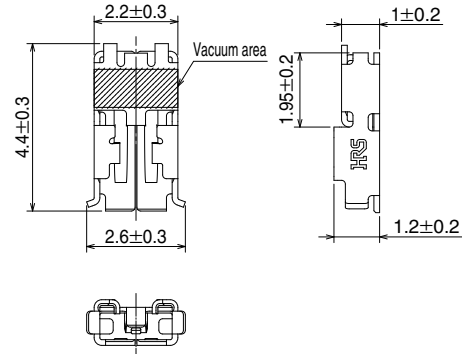
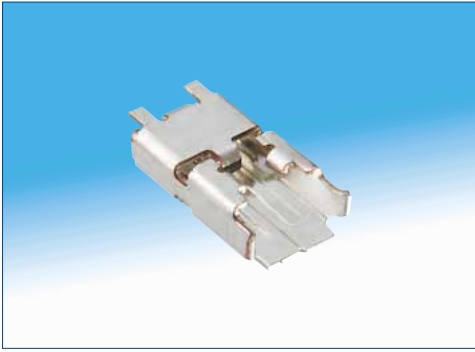
| Part No. | HRS No. |
|------------------|---------------|
| DF59SN-1P-FC(21) | 667-0028-7 21 |

[Specification No.]
(21) : Tin plating, emboss packaging

Note : Please order in full reel quantities. (10,000 pcs/reel)

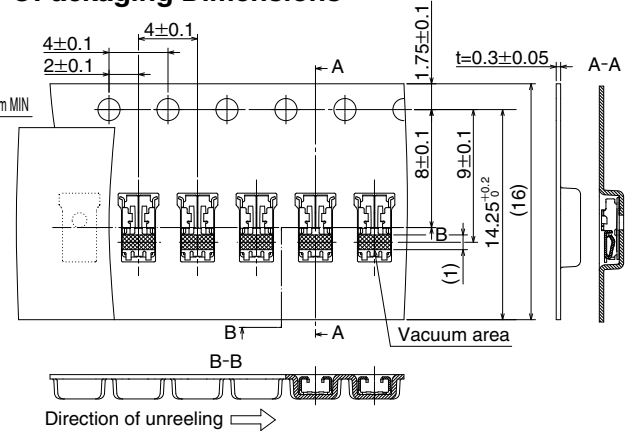
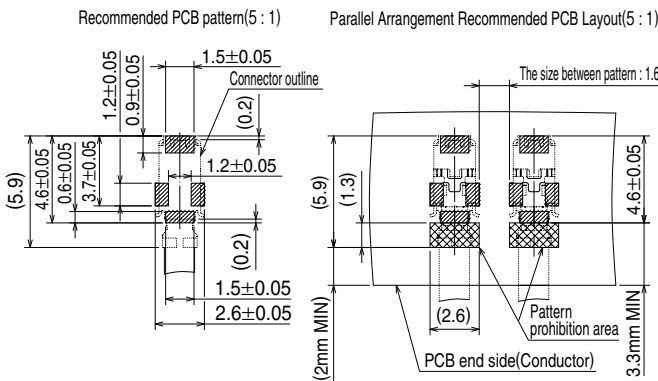
Note : Use the special (DF59SN-1P-FC/IN-TOOL) tool for connector insertion.

Single Contact Type Right Angle Receptacle (SMT)



Recommended PCB Dimensions (t=1.6mm)

Packaging Dimensions



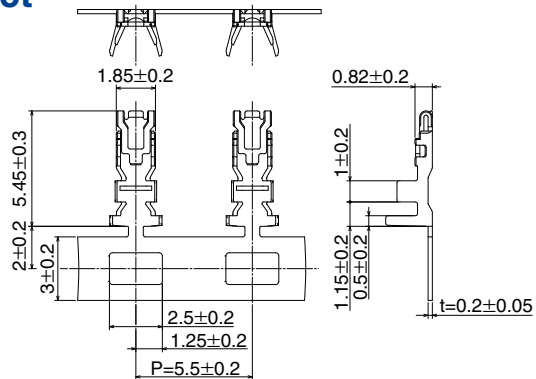
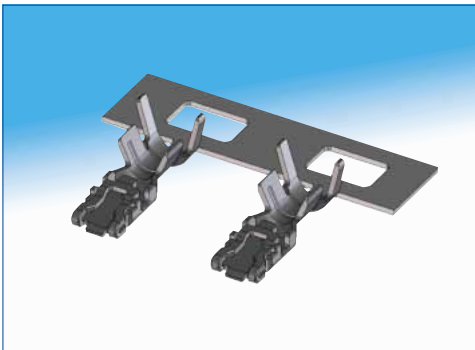
| Part No. | HRS No. |
|----------------|---------------|
| DF59M-1S-H(21) | 667-0041-5 21 |

[Specification No.]
(21) : Tin plating, emboss packaging

Note 1 : Please order in full reel quantities. (10,000 pcs/reel)

Note 2 : This connector is designed to mate with Crimp contact of DF59M only. (P.8)

Single Contact Type Crimp Contact



| Part No. | HRS No. | Applicable Wire | | | | By Type | Quantity | Treatment |
|---------------|---------------|------------------|-----------------|----------------|-------------------|--------------------------|-------------|------------|
| | | Recommended Wire | Jacket Diameter | Conductor Size | Wire Constitution | | | |
| DF59M-2224PCF | 667-0042-8 00 | UL10368 | φ1.11 to 1.26mm | 22 AWG | 17/φ0.16mm | Reel contact (Note 1) | 10,000/reel | Tin plated |
| DF59M-2224PC | 667-0044-3 00 | | | 24 AWG | 11/φ0.16mm | Bulk contact (Note 2) | 100/pack | |
| DF59M-2628PCF | 667-0043-0 00 | | φ0.88 to 0.98mm | 26 AWG | 7/φ0.16mm | Reel contact (Note 1) | 10,000/reel | |
| | | | | 28 AWG | 7/φ0.17mm | Bulk contact (Note 2) | 100/pack | |
| DF59M-2628PC | 667-0045-6 00 | | φ0.98mm | 26 AWG | 7/φ0.16mm | Bulk contact (Note 2) | 100/pack | |
| | | | | 28 AWG | 7/φ0.17mm | | | |

Note 1 : Please order reel contacts by full reel quantities. (10,000 pcs/reel)

Note 2 : Please order loose piece contacts in full pack. (100 pcs/pack)

Note 3 : Please consult with our sales representative when using wires other than applicable wire.

Note 4 : The strip length is a reference value. Please make adjustments so finished crimps will meet the specified values.

Refer to the crimping quality standards (ATAD-H0778) for details.

◆Applicable Crimping Tool

| Types | Part No. | HRS No. | Applicable Contact | Remarks |
|--------------------------|----------------------|---------------|--|--|
| Applicator | AP105-DF59-22P | 901-4619-8 00 | DF59-22PCFA | |
| | AP105-DF59M-2224P | 901-4638-2 | DF59M-2224PCF | (Note 2) Manufactured by Japan Automatic Machine Co., Ltd. |
| | DHS887200H-UP | — | | |
| | AP105-DF59M-2628P | 901-4639-5 | DF59M-2628PCF | (Note 2) Manufactured by Japan Automatic Machine Co., Ltd. |
| | DHS887300H-UP | — | | |
| Press Unit | CM-105 | 901-0005-4 00 | - | |
| Hand Tool | HT801/DF59-22P | 901-4619-8 00 | DF59-22PCA ※UL1061 AWG#22 Only | |
| | HT801/DF59M-2224P | 550-0420-3 | DF59M-2224PC ※UL10368 AWG#22, 24 Only | |
| | HT801/DF59M-2628P | 550-0421-6 | DF59M-2628PC ※UL10368 AWG#26, 28 Only | |
| Hand Tool (W-to-B) | DF-C-PO(B) | 550-0179-2 00 | DF59-22PCFA DF59-22PCA | |
| | DF-C-PO(A) | 550-0170-8 00 | DF59M Series | |
| Extraction Tool (B-to-B) | DF59SN-1P-FC/IN-TOOL | 667-0040-2 00 | DF59SN-1P-FC | |

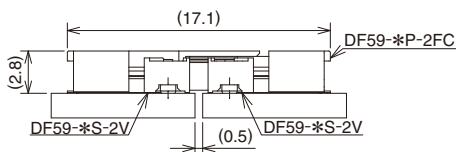
Note 1 : Customers are strongly encouraged to utilize HRS application tooling or tooling created by a Hirose tooling partner. Hirose assumes no liability for customers using tooling from non-recognized sources.

Note 2 : Please contact Japan Automatic Machine Co., Ltd. (hereinafter J.A.M.) through their website regarding crimping issues when using applicators manufactured by J.A.M. URL <http://www.jam-net.co.jp>

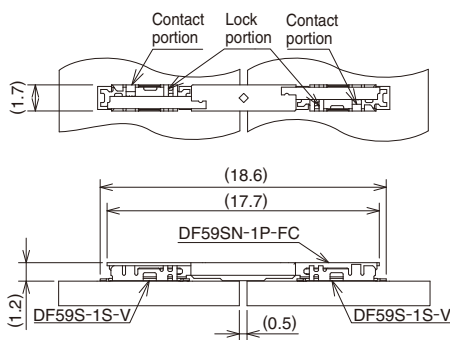
◆Mating Dimensions

●Board-to-board connection (floating plug)

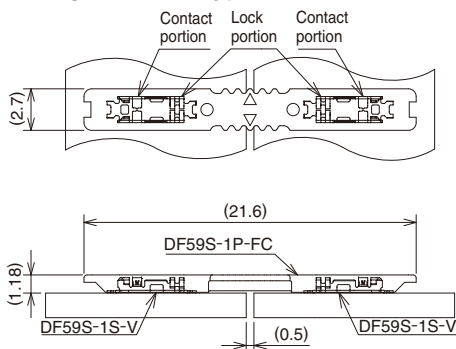
[Standard]



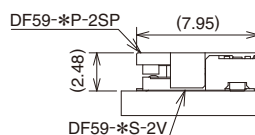
[Single contact slim type]



[Single contact type]

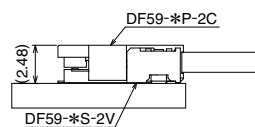


●Short-circuit pin connection



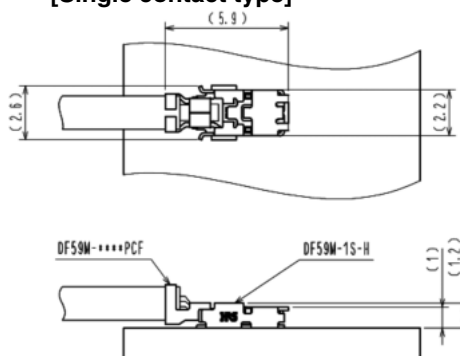
●Wire-to-Board Mated condition

[Standard]

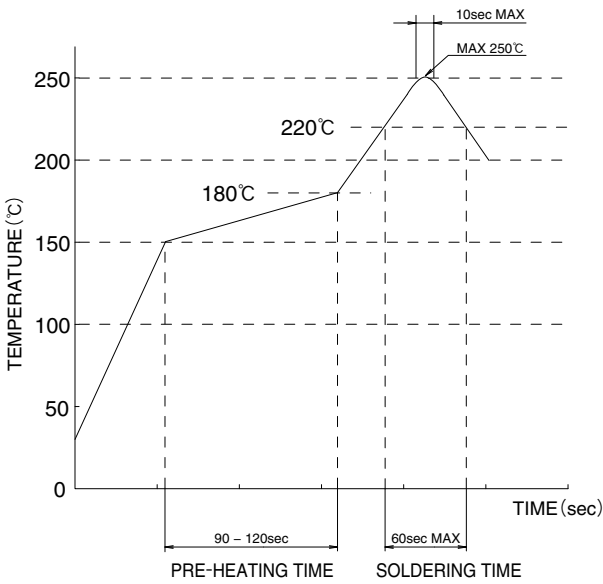


●Wire-to-Board connection

[Single contact type]



Operating Precautions

| | |
|--|--|
| <p>1. Recommended Temperature Profile (Lead-free soldering possible)</p> |  <p>[Applicable Conditions]</p> <ol style="list-style-type: none"> 1. Peak Temperature : MAX 250°C 2. Heated Area : 220°C or above, within 60 sec. 3. Pre-heating Area : 150 to 180°C, 90 to 120 sec. 4. Number of Times : within 2 times <p>*Measured at contact lead area Please be noted that the reflow condition may vary depending on soldering paste type, manufacturer of soldering material, board size, as well as conditions of other mounting materials. (*1) Above temperature profile is our recommended value.</p> |
| <p>2. Recommended Hand Solder Conditions</p> | <p>Soldering iron temperature : 350 ± 10°C, soldering time : within 3 seconds</p> |
| <p>3. Recommended Screen Thickness, Open Ratio (Pattern Area Ratio)</p> | <p>Thickness 0.1mm, Open ratio : 100%</p> |
| <p>4. Warpage of PC board</p> | <p>Maximum of 0.02mm at the connector center, with both ends of the connector as reference points.</p> |
| <p>5. Cleaning Condition</p> | <p>Cleaning with IPA is possible. (Cleaning is not recommended. In case of cleaning, please evaluate if it causes a decrease in the performance which includes mechanical operation and environmental resistance.)</p> |
| <p>6. Precautions</p> | <ul style="list-style-type: none"> ■ When inserting crimp-type (solderless) terminals to crimping (solderless) sockets, to maintain reliable performance, please do not insert obliquely. ■ DO NOT mate/un-mate a non-terminated plug with a non-mounted receptacles. This may lead to damage or deformation of the contacts. ■ Please note that pulling on the wires or cable during un-mating may cause damage. ■ DO NOT apply flux to the contact terminals when hand soldering the receptacle to the board. Flux can wick into the electrical contact areas and may lead to connection failures. ■ Slight discoloration on the insulating materials will not affect form, fit or function of the connectors. ■ Please refer to the following for the points for proper handling regarding mating/unmating operations. <ul style="list-style-type: none"> “DF59 Insertion and Removal Manual” “DF59S Insertion and Removal Manual” ATAD-H0651 “DF59SN Insertion and Removal Manual” ATAD-H0719 “DF59M Operation manual” ATAD-H0779 |

Jan.1.2017 Copyright 2017 HIROSE ELECTRIC CO., LTD. All Rights Reserved.

USA:

HIROSE ELECTRIC (U.S.A.), INC. HEADQUARTERS

2300 Warrenville Road, Suite 150,
Downers Grove, IL 60515
Phone : +1-630-282-6700
<http://www.hirose.com/us/>

USA:

HIROSE ELECTRIC (U.S.A.), INC. SAN JOSE OFFICE

2841 Junction Ave, Suite 200
San Jose, CA. 95134
Phone : +1-408-253-9640
Fax : +1-408-253-9641
<http://www.hirose.com/us/>

USA:

HIROSE ELECTRIC (U.S.A.), INC. DETROIT OFFICE (AUTOMOTIVE)

17197 N. Laurel Park Drive, Suite 253,
Livonia, MI 48152
Phone : +1-734-542-9963
Fax : +1-734-542-9964
<http://www.hirose.com/us/>

THE NETHERLANDS:

HIROSE ELECTRIC EUROPE B.V.

Hogehillweg #8 1101 CC Amsterdam Z-O
Phone : +31-20-6557460
Fax : +31-20-6557469
<http://www.hirose.com/eu/>

GERMANY:

HIROSE ELECTRIC EUROPE B.V. GERMAN BRANCH

Herzog-Carl-Strasse 4 D-73760 Ostfildern
(Scharnhauser Park)
Phone : +49-711-4560-02-1
Fax : +49-711-4560-02-299
<http://www.hirose.com/eu/>

GERMANY:

HIROSE ELECTRIC EUROPE B.V. NUERNBERG OFFICE

Neumeyerstrasse 22-26, 90411 Nurnberg
Phone : +49-911 32 68 89 63
Fax : +49-911 32 68 89 69
<http://www.hirose.com/eu/>

GERMANY:

HIROSE ELECTRIC EUROPE B.V. HANOVER OFFICE

Bayernstr. 3, Haus C 30855 Langenhagen, Germany
Phone : +49-511 97 82 61 30
Fax : +49-511 97 82 61 35
<http://www.hirose.com/eu/>

FRANCE:

HIROSE ELECTRIC EUROPE B.V. PARIS OFFICE

Regus La Garenne Colombes, Place de La Belgique,
71 Boulevard National La Garenne Colombes, 92250, France
Phone : +33 (0) 1 7082 3170
Fax : +33 (1) 7082 3101
<http://www.hirose.com/eu/>

UNITED KINGDOM:

HIROSE ELECTRIC EUROPE BV (UK BRANCH)

4 Newton Court, Kelvin Drive, Knowlhill,
Milton Keynes, MK5 8NH
Phone : +44-1908 202050
Fax : +44-1908 202058
<http://www.hirose.com/eu/>

CHINA:

HIROSE ELECTRIC (SHANGHAI) CO., LTD.

1601, Henderson Metropolitan, NO.300, East Nanjing
Road, Huangpu District, Shanghai, China 200001
Phone : +86-21-6391-3355
Fax : +86-21-6391-3335
<http://www.hirose.com/cn/>

CHINA:

HIROSE ELECTRIC (SHANGHAI) CO.,LTD. BEIJING BRANCH

A1001, Ocean International Center, Building 56# East 4th
Ring Middle Road, ChaoYang District, Beijing, 100025
Phone : +86-10-5165-9332
Fax : +86-10-5908-1381
<http://www.hirose.com/cn/>

CHINA:

HIROSE ELECTRIC TECHNOLOGIES (SHENZHEN) CO., LTD.

Room 09-13, 19/F, Office Tower Shun Hing Square, Di Wang Commercial Centre,
5002 Shen Nan Dong Road, Shenzhen City, Guangdong Province, 518008
Phone : +86-755-8207-0851
Fax : +86-755-8207-0873
<http://www.hirose.com/cn/>

HONG KONG:

HIROSE ELECTRIC HONGKONG TRADING CO., LTD.

Room 1001, West Wing, Tsim Sha Tsui Centre, 66
Mody Road, Tsim Sha Tsui East, Kowloon, Hong Kong
Phone : +852-2803-5338
Fax : +852-2591-6560
<http://www.hirose.com/hk/>

TAIWAN:

HIROSE ELECTRIC TAIWAN CO., LTD.

103 8F, No.87, Zhengzhou Rd., Taipei
Phone : +886-2-2555-7377
Fax : +886-2-2555-7350
<http://www.hirose.com/tw/>

KOREA:

HIROSE KOREA CO., LTD.

250, Huimanggongwon-ro, Siheung-si,
Gyeonggi-do, Korea, 429-849
Phone : +82-31-496-7000,7124
Fax : +82-31-496-7100
<http://www.hirose.co.kr/>

SINGAPORE:

HIROSE ELECTRIC SINGAPORE PTE. LTD.

10 Anson Road #26-16, International Plaza
079903, Singapore
Phone : +65-6324-6113
Fax : +65-6324-6123
<http://www.hirose.com/sg/>

INDIA:

HIROSE ELECTRIC SINGAPORE PTE. LTD. DELHI LIAISON OFFICE

Office NO.519, Regus-Green Boulevard, Level5, Tower C,
Sec62, Plot B-9A, Block B, Noida, 201301, Uttar Pradesh, India
Phone : +91-12-660-8018
Fax : +91-120-4804949
<http://www.hirose.com/sg/>

INDIA:

HIROSE ELECTRIC SINGAPORE PTE. LTD. BANGALORE LIAISON OFFICE

Unit No-403, 4th Floor, No-84, Barton Centre, Mahatma
Gandhi (MG) Road, Bangalore 560 001, Karnataka, India
Phone : +91-80-4120 1907
Fax : +91-80-4120 9908
<http://www.hirose.com/sg/>

MALAYSIA:

PENANG REPRESENTATIVE OFFICE

1-21-01, Suntech @ Penang Cybercity (1164), Lintang
Mayang Pasir 3,11950, Bayan Baru, Penang, Malaysia.
Phone : +604-619-2564
Fax : +604-619-2574
<http://www.hirose.com/sg/>

THAILAND:

BANGKOK OFFICE (REPRESENTATIVE OFFICE)

Unit 4703, 47th FL., 1 Empire Tower, South Sathorn
Road, Yannawa, Sathorn, Bangkok 10120 Thailand
Phone : +66-2-686-1255
Fax : +66-2-686-3433
<http://www.hirose.com/sg/>



HIROSE ELECTRIC CO.,LTD.

2-6-3,Nakagawa Chuoh,Tsuzuki-Ku,Yokohama-Shi 224-8540,JAPAN
TEL: +81-45-620-3526 Fax: +81-45-591-3726
<http://www.hirose.com>
<http://www.hirose-connectors.com>