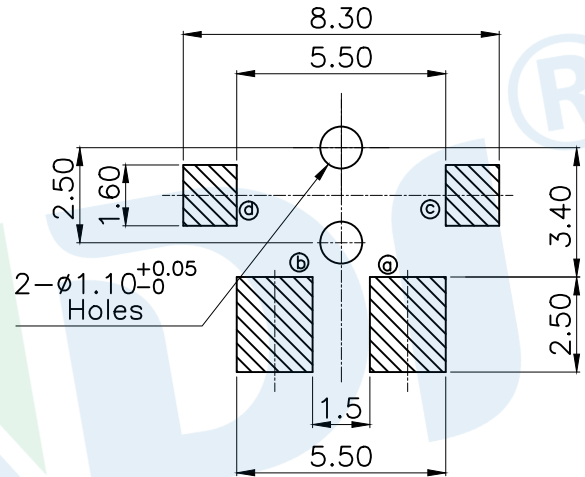
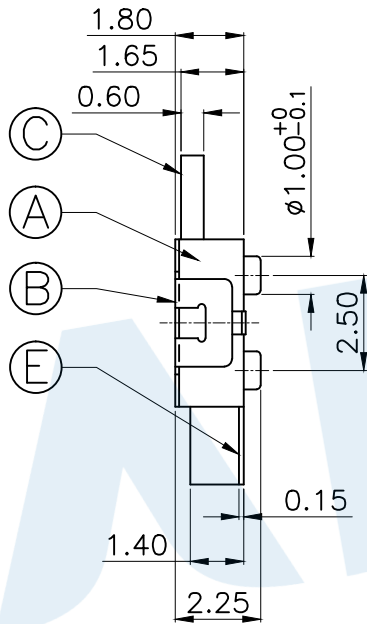
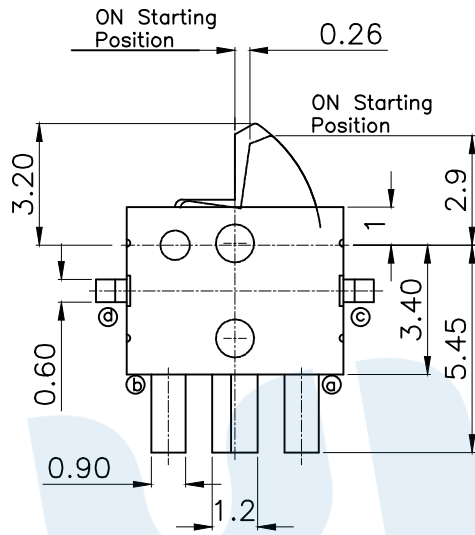
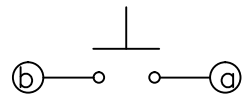
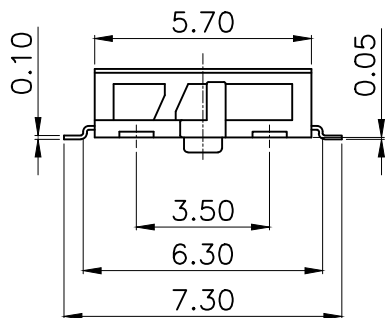


RoHS



PCB Layout(Pattern side)



Circuit Diagram

Technical Parameters

- 1. Rated current: DC 30V 0.1A
- 2. Operating force: 30 ± 10 gf
- 3. Mechanical life: 50,000 times

Ⓔ	Terminal		2	Brass	Silvering
Ⓓ	Contact Spring		1	Phosphor bronze	Silvering
Ⓒ	Button		1	PA46	Black
Ⓑ	Cover		1	SUS	Natural
Ⓐ	Base		1	LCP	Black
NO.	Name	Number	Qty	Materil	Remarks

YUANDI® Yuandi Electronics Co, Ltd
元迪

design	date	name	DETECTION SWITCH
Review	date	model	TQ-2513
Approved	date		

Drawing number:

angle	$\pm 2'$
10~30	± 0.30
5~10	± 0.20
~ 5	± 0.10

 Tolerance not specified Proportion 1:1 unit mm gage number A4