

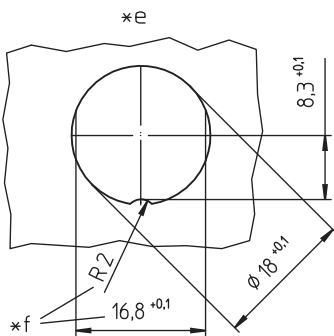
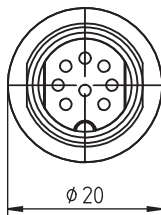
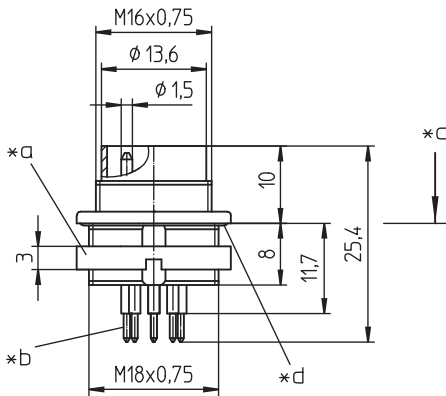
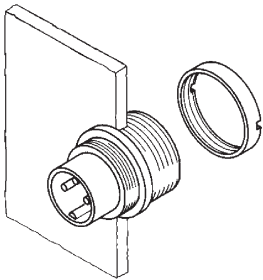
03 0316-1

Circular connectors with threaded joint M16 acc. to IEC 61076-2-106, IP40/IP67/IP68



Chassis plug acc. to AISG specification and IEC 61076-2-106, IP 68, with threaded joint, for printed circuit boards, for front mounting

03 0316-1



Environmental conditions

Temperature range -40 °C/+85 °C

Materials

Insulating body PA GF, V-0 according to UL94
 Contact pin CuZn, silver-plated and flash gold-plated, tin-plated in solder area
 Housing Zn diecast, pre-copper and nickel-plated
 Ring screw CuZn, nickel-plated

Mechanical data

Protection class IP68¹

¹ according to IEC DIN EN 60529, only in locked condition with an appropriate counterpart; IPX8 requirements under agreement between manufacturer and user

Electrical data (at T_{amb} 20 °C)

Rated current 5 A (T_{amb} 40 °C)
 Rated voltage 100 V (with pollution degree 1)
 32 V (with pollution degree 2)
 Rated impulse voltage 500 V
 Material group II (IEC)/I (UL) (CTI ≥ 550)
 Overvoltage category I
 Insulation resistance > 100 MΩ

Associated products

Counterparts

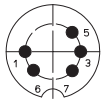
☞ 0321 ☞ 0322 ☞ 0322-1
 ☞ 032200 ☞ 0360 ☞ 036000

Accessories

☞ 0382 ☞ 0383 ☞ 038399
 ☞ 0384 ☞ 0385 ☞ 038899

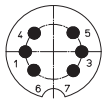
03

0316-1

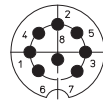


*g

0316-1 05-3

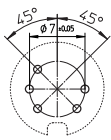


-



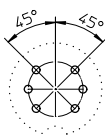
08-a

0316-1 08-1

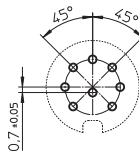


03-a

0316-1 05-3



-



05-b

0316-1 08-1

- *a nut enclosed separately
- *b for bore hole in printed circuit board $\varnothing 1$ mm
- *c mounting direction
- *d O-ring gasket
- *e port in mounting plate
- *f anti-rotation, alternative execution
- *g pin configuration according to AISG C485

03

0316-1

Designation	Pole Number	PU (Pieces)	MDQ (Pieces)
0316-1 05-3	5	50	100
0316-1 08-1	8	50	100

Packaging:

in a cardboard box