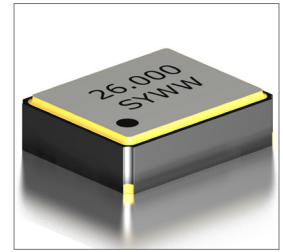


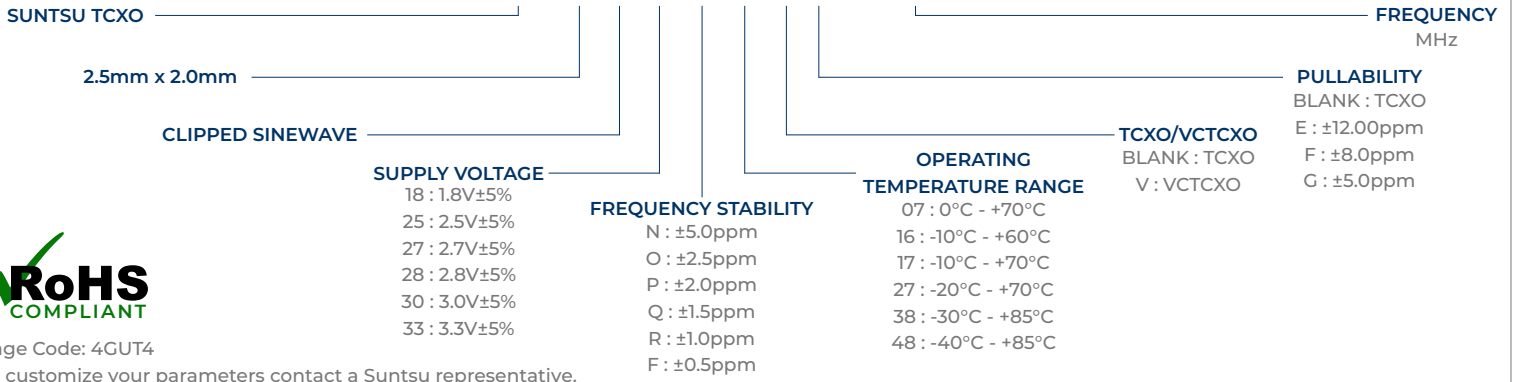
Features
<ul style="list-style-type: none"> <li>±0.5ppm (Frequency Stability) Available</li> <li>Clipped Sinewave</li> <li>(VC)TCXO</li> <li>Tape and Reel</li> </ul>

Applications
<ul style="list-style-type: none"> <li>GPS</li> <li>Mobile Communication Equipment</li> <li>Cellular And Cordless Phones</li> <li>IP Networking</li> </ul>



**Part Numbering Guide**

**STC 22 K 30 R 48 V E - 26.000M**



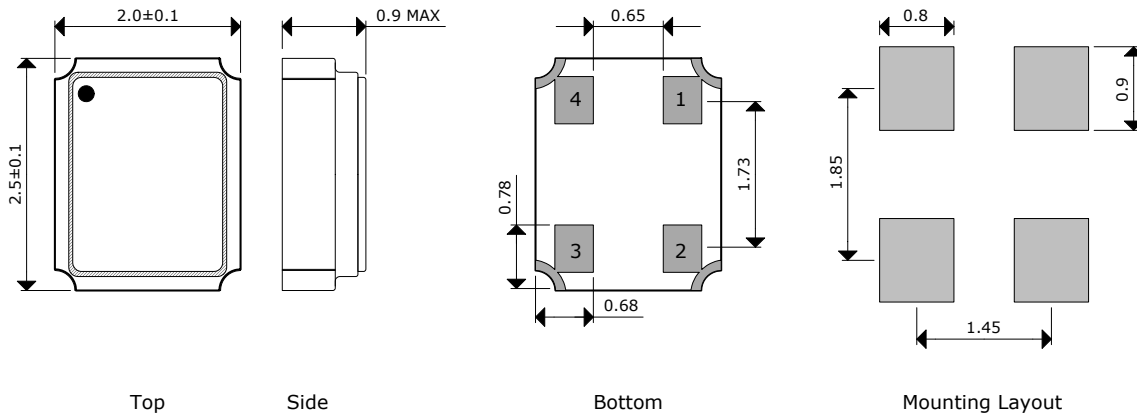
Cage Code: 4GUT4

To customize your parameters contact a Suntsu representative.

Electrical Parameters	Units	Minimum	Typical	Maximum	Remarks
Frequency Range	MHz	13		52	
Frequency Tolerance at +25°C	ppm	-2.0		+2.0	1 Hour after reflow
Freq. Stability vs. Op Temp.	ppm	-0.5		+0.5	See part numbering guide for options.
Freq. Stability vs. Supply Voltage	ppm	-0.2		+0.2	V <sub>DD</sub> ±5% change.
Freq. Stability vs. Load	ppm	-0.2		+0.2	±10% change
Freq. Stability vs. Aging	ppm	-1.0		+1.0	1 Year
Operating Temperature	°C	-40		+85	See part numbering guide for options.
Storage Temperature	°C	-55		+125	
Supply Voltage (V <sub>DD</sub> ) - 3.0V Option	V	2.985	3.0	3.015	See part numbering guide for options.
Current (I <sub>DD</sub> )	mA			2	
Control Voltage (V <sub>C</sub> , VCTCXO)	V	0		V <sub>DD</sub>	Center Voltage: V <sub>DD</sub> *50%.
Pullability (VCTCXO)	ppm	±5.0		±12.0	See part numbering guide for options.
Linearity (VCTCXO)	%			10	
Output Load (Clipped Sinewave)	kΩ//pF			10//10	
Output Logic Levels	V <sub>P-P</sub>	0.8			
Symmetry (Duty Cycle)	%	40	50	60	
Start-Up Time	ms			2.0	
VC Input Impedance (VCTCXO)	kΩ	100			
Phase Noise (Typical) 10Hz Offset	dBc/Hz		-85		
Phase Noise (Typical) 100Hz Offset	dBc/Hz		-115		
Phase Noise (Typical) 1KHz Offset	dBc/Hz		-135		
Phase Noise (Typical) 10KHz Offset	dBc/Hz		-145		
Phase Noise (Typical) 100KHz Offset	dBc/Hz		-150		

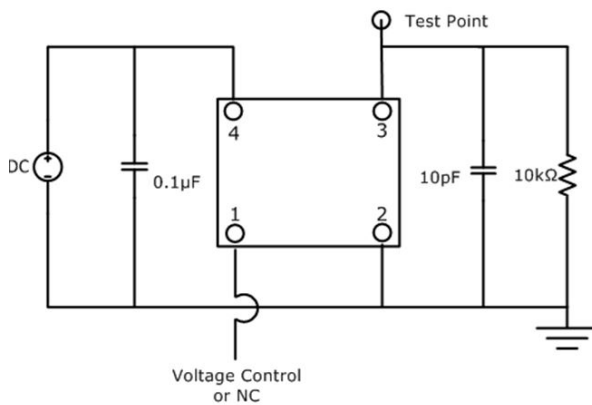
**Outline Drawing**

All dimensions are in millimeters (mm) unless otherwise noted. Drawings are not to scale.

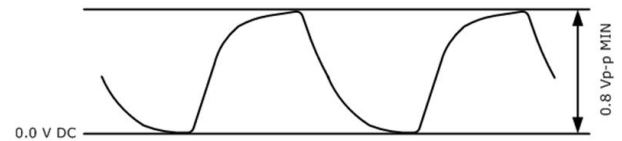


PIN	FUNCTION
1	V <sub>c</sub> (VCTCXO) or NC (TCXO)
2	GND
3	OUTPUT
4	V <sub>DD</sub>

**Test Circuit (Clipped Sinewave)**



**Waveform (Clipped Sinewave)**



**Typical Phase Noise (Measured By Agilent E5052A)**

