

**RF Driver Amplifier
250 - 4000 MHz**

**MAAMSS0073
V1**

Features

- Broadband High Gain Operation
- Optimized Performance for WiMax Applications
- Excellent EVM Performance: 1.5% @ 21 dBm
- High Efficiency
- Lead-Free 4x4 mm PQFN Package
- 100% Matte Tin Plating over Copper
- Halogen-Free “Green” Mold Compound
- RoHS* Compliant and 260°C Reflow Compatible

Description

M/A-COM’s MAAMSS0073 RF driver amplifier is a two-stage GaAs MMIC which exhibits exceptional linearity performance as well as high gain in a lead-free 4x4 mm PQFN surface mount plastic package. The device is biased with a single +5 volt supply and consumes 490 mA typically.

The MAAMSS0073 is fabricated using a high linearity HBT process to realize low current and high power functionality. The process features full passivation for increased performance and reliability.

The MAAMSS0073 can be externally tuned for operation anywhere within the 250 to 4000 MHz frequency band.

Ordering Information ¹

Part Number	Package
MAAMSS0073TR-3000	3000 piece reel
MAAM-000073-000SMB	Sample Only, General Frequency
MAAM-000073-001SMB	3500 MHz Configuration

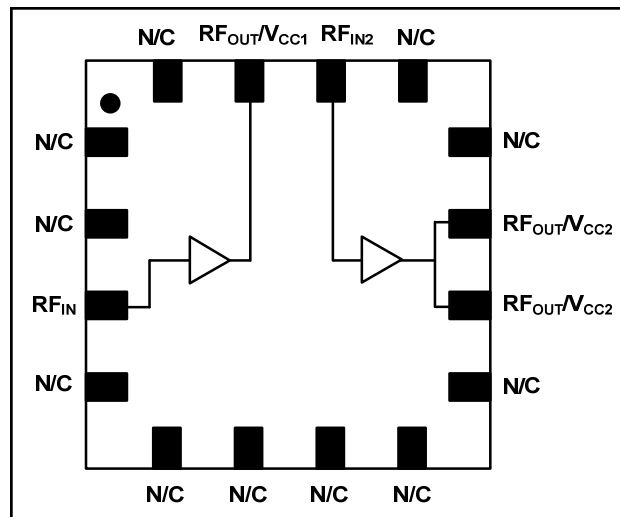
1. Reference Application Note M513 for reel size information.

Absolute Maximum Ratings ^{2,3}

Parameter	Absolute Maximum
RF Output Power	+32 dBm
Voltage	6 volts
Storage Temperature	-65°C to +150°C
Junction Temperature	200°C

- Exceeding any one or combination of these limits may cause permanent damage to this device.
- M/A-COM does not recommend sustained operation near these survivability limits.

Functional Block Diagram



Pin Configuration

Pin No.	Pin Name	Description
1	N/C	No Connection
2	N/C	No Connection
3	RF_IN	Amplifier Input
4	N/C	No Connection
5	N/C	No Connection
6	N/C	No Connection
7	N/C	No Connection
8	N/C	No Connection
9	N/C	No Connection
10	RF_OUT / V_CC2	Amplifier Output & 2nd Stage V _{CC}
11	RF_OUT / V_CC2	Amplifier Output & 2nd Stage V _{CC}
12	N/C	No Connection
13	N/C	No Connection
14	RF_IN2	2nd Stage RF Input
15	RF_OUT/V_CC1	1st Stage V _{CC} & RF Output
16	N/C	No Connection
17	Paddle ⁴	RF and DC Ground

4. The exposed pad centered on the package bottom must be connected to RF and DC ground.

* Restrictions on Hazardous Substances, European Union Directive 2002/95/EC.

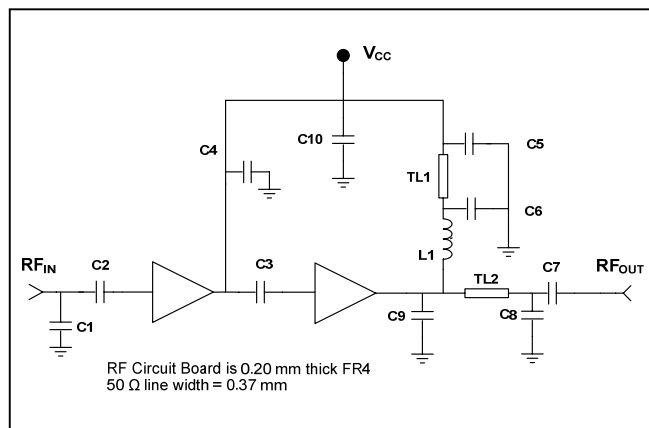
**RF Driver Amplifier
250 - 4000 MHz**

**MAAMSS0073
V1**

Electrical Specifications: $V_{CC} = +5\text{ V}$, $T_A = 25^\circ\text{C}$, $Z_0 = 50\ \Omega$

Parameter	Test Conditions	Units	Min.	Typ.	Max.
Gain	3500 MHz	dB	21	23	—
Input Return Loss	3500 MHz	dB	—	10	—
Output Return Loss	3500 MHz	dB	—	7	—
Output P1dB	3500 MHz	dBm	—	29	—
Output IP3	(+23 dBm / tone, 1 MHz spacing) 3500 MHz	dBm	38	43	—
EVM	+21 dBm channel power 54 Mbps OFDM (includes 1% system level)	% rms	—	1.5	—
Noise Figure	3500 MHz	dB	—	3.8	—
Quiescent Current	+5 V	mA	—	490	—
Current	(+23 dBm / tone, 1 MHz spacing) 3500 MHz	mA	—	590	750

Application Schematic 3300 - 3800 MHz

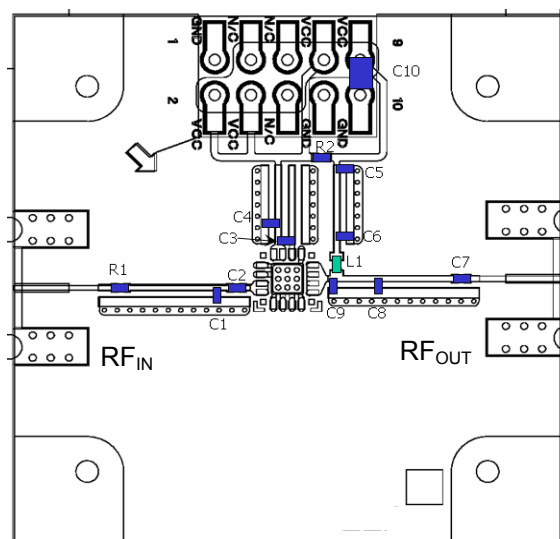


Maximum Operating Conditions⁵

Parameter	Maximum Operating Conditions
Junction Temperature ⁶	160°C
RF Output Power	+32 dBm
Operating Temperature	-40°C to +85°C

5. Operating at or within these conditions will ensure MTTF > 1 x 10⁶ hours.
6. Typical thermal resistance (θ_{jc}) = 35°C/W.

Sample Board



MAAMSS0073 External Parts List

Component	Value	Case Size	Manufacturer
C7	1000 pF	0402	Murata
C1	1.5 pF	0402	Murata
C2	2.2 pF	0402	Murata
C3,C8,C9	1.0 pF	0402	Murata
C4,C5,C6	0.1 μF	0402	Murata
C10	3.3 μF	0402	Murata
L1	3.6 nH	0402	Coilcraft
R1, R2	0 Ω	0402	-
TL1	50 Ω, 34.3° @ 3500 MHz		
TL2	50 Ω, 21° @ 3500 MHz		

2

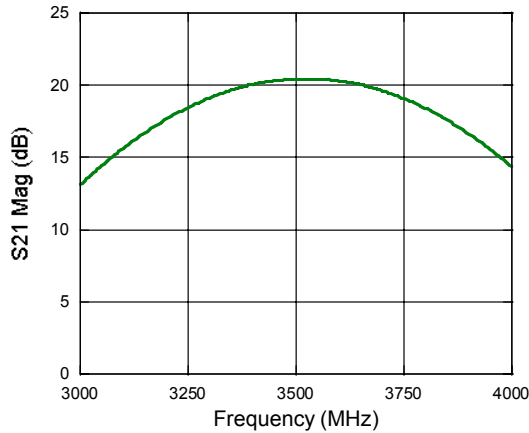
M/A-COM Inc. and its affiliates reserve the right to make changes to the product(s) or information contained herein without notice. M/A-COM makes no warranty, representation or guarantee regarding the suitability of its products for any particular purpose, nor does M/A-COM assume any liability whatsoever arising out of the use or application of any product(s) or information.

- **North America** Tel: 800.366.2266 / Fax: 978.366.2266
- **Europe** Tel: 44.1908.574.200 / Fax: 44.1908.574.300
- **Asia/Pacific** Tel: 81.44.844.8296 / Fax: 81.44.844.8298

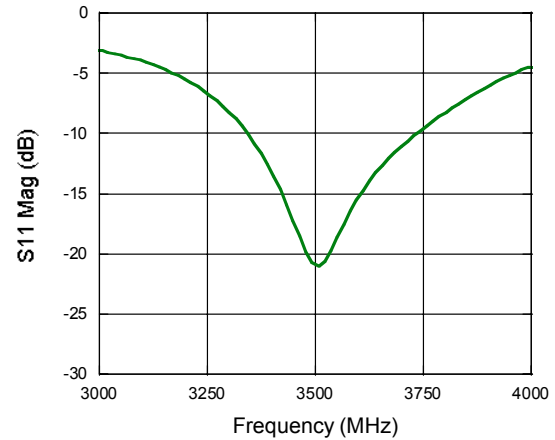
Visit www.macom.com for additional data sheets and product information.

Typical Performance Curves: @ +25°C

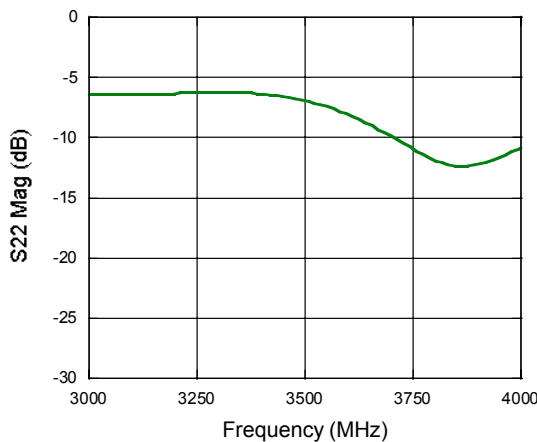
Gain



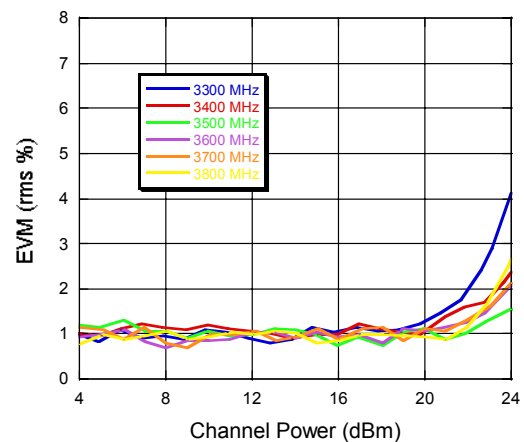
Input Return Loss



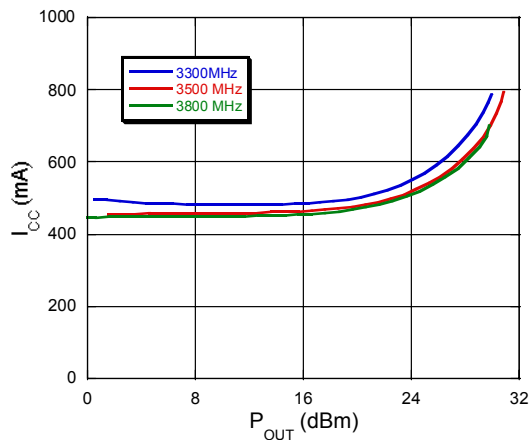
Output Return Loss



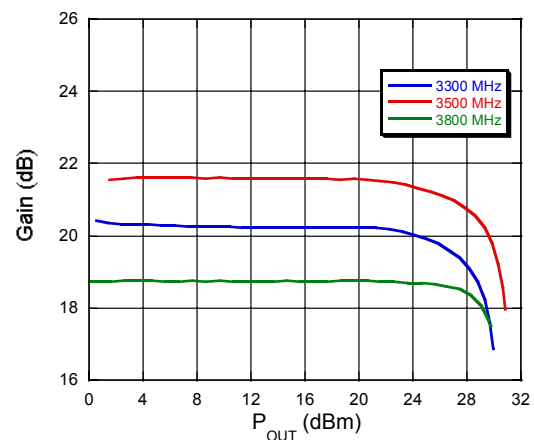
EVM



Current

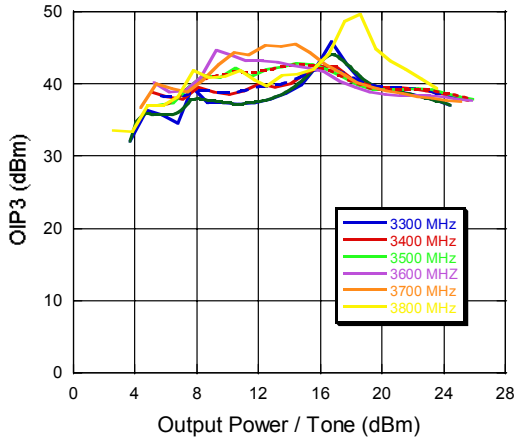


P1dB

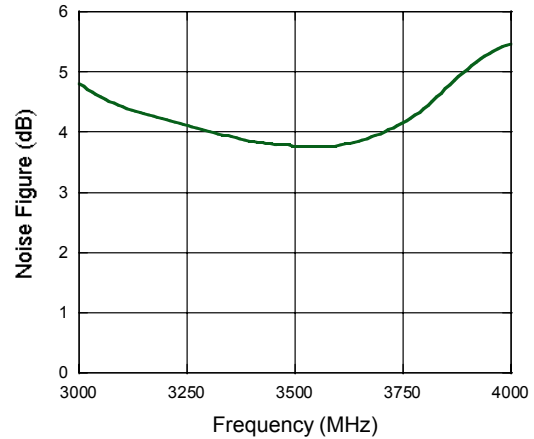


Typical Performance Curves: @ +25°C

Output IP3



Noise



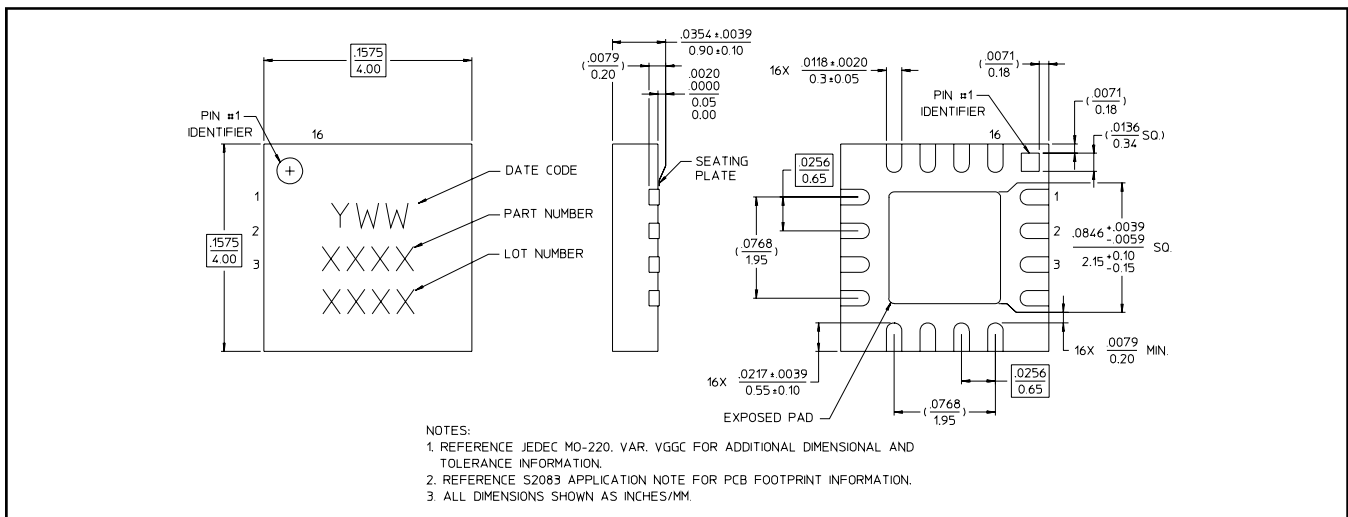
Handling Procedures

Please observe the following precautions to avoid damage:

Static Sensitivity

Gallium Arsenide Integrated Circuits are sensitive to electrostatic discharge (ESD) and can be damaged by static electricity. Proper ESD control techniques should be used when handling these devices.

Lead-Free 4 mm 16-Lead PQFN†



† Reference Application Note M538 for lead-free solder reflow recommendations. Meets JEDEC moisture sensitivity level 1 requirements.