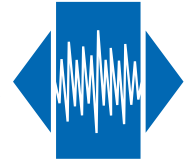


TXO-SH-S-4p

SMD TCXO
Sine wave

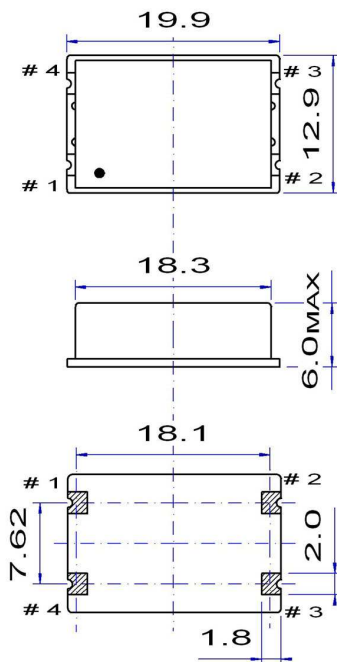
QuartzCom
the communications company



Features

- Applications: telecom infrastructure, broadband access, navigation
- Output signal sine wave
- Wide frequency range up to 200 MHz
- Low phase noise

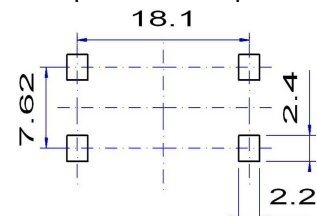
Parameter	Specification	
	TXO-SH-3S-4p	TXO-SH-5S-4p
Frequency range	10 ~ 200 MHz	
Standard frequencies	10.000, 13.000, 19.440, 20.000, 26.000, 38.400 & 52.000 MHz	
Frequency stability:		
vs. temperature	≤ ±0.5 ~ ±5.0 ppm	
vs. supply & load change	≤ ±0.2 ppm	±5 %
vs. aging	≤ ±1.0 ppm	1 st year
Frequency tolerance ex. factory	≤ ±1.0 ppm	@ +25 °C
Supply voltage	+3.3 V ±5 %	+5.0 V ±5 %
Supply current	10 ~ 60 mA	
Output signal	sine wave	
Output level	0 dBm	10 dBm
Output load	50 Ω	
Phase noise @ 52 MHz carrier frequency	-138 dBc/Hz @ 1 kHz -148 dBc/Hz @ 10 kHz	
Operating temperature range	-20 ~ +70 °C -40 ~ +85 °C	commercial application industrial application
Storage temperature range	-55 ~ +125 °C	
Packaging units	tape & reel tray	500 pieces 50 pieces
Customer specifications on request		



Pin function

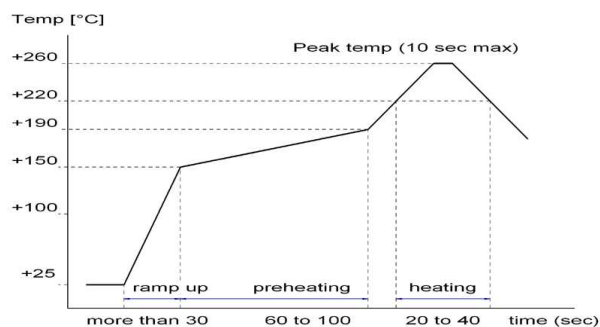
- # 1 not connected
- # 2 GND
- # 3 Output
- # 4 Vdc

Example for solder pattern



Do not design any conductive path between the pattern

Example for IR reflow soldering temperature



2002/95/EC RoHS compliant

30 Apr. 10

QuartzCom AG
sales@quartzcom.com

QuartzCom Asia
sales-asia@quartzcom.com

QuartzCom USA
sales-usa@quartzcom.com

www.quartzcom.com

ISO 9001
BUREAU VERITAS
Certification

