

IEC Appliance Outlet D, insert Mounting, Solder Terminal

**Description**

- Connector, Pin temperature 70 °C, Protection class II
- Solder terminal

**Approvals**

- VDE License Number: 40011945
- UL License Number: E45115
- CSA License Number: 27324

**Other versions on request**

- For protection class II

**References**

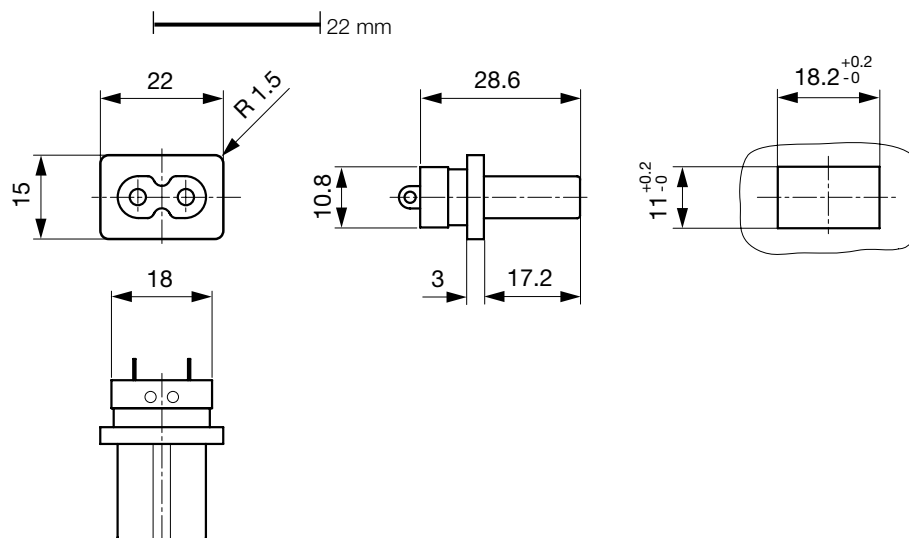
[General Product Information](#)

**Weblinks**

[Approvals](#), [RoHS](#), [CHINA-RoHS](#), [Mating Connectors](#), [e-Store](#), [Distributor-Stock-Check](#), [Accessories](#)

**Technical Data**

Ratings IEC	2.5 A / 250 VAC; 50 Hz
Ratings UL/CSA	4 A / 250 VAC; 60 Hz
Dielectric Strength	> 4 kVAC between L-N > 2 kVAC between L/N-PE (1 min/50 Hz)
Allowable Operation Temp.	-25 °C to 70 °C
Degree of Protection	from front side IP 20 acc. to IEC 60529
Protection Class	Suitable for appliances with protection class 2 acc. to IEC 61140
Terminal	Solder terminal straight
Material: Housing	UL 94V-0

**Dimensions**

length of the terminal please find at the order code configuration table

## Config. Code

Product Configurator

5086 - H - A B C 0 - D - E

The characters are placeholders for the correspondingly keys of selections from the key tables.

### 5086 - H - A B C 0 - D - E = Type

Type	Configuration key
protection class 2	B

### 5086 - H - A B C 0 - D - E = Terminals

Terminal L	Configuration key
solder terminal 	1

### 5086 - H - A B C 0 - D - E = Terminals

Terminal N	Configuration key
solder terminal	1

Symbols similar as in table A

### 5086 - H - A B C 0 - D - E = Terminals

Terminal Ground	Configuration key
without terminal	0

Symbols similar as in table A

### 5086 - H - A B C 0 - D - E = Color

Color	Configuration key
jet black; RAL9005	A
silver grey; RAL7001	B
pure white; RAL9010	D

standard color: black

### 5086 - H - A B C 0 - D - E = Style

Style	Configuration key
insert type	5

## Variants

Config. Code	Description	Order Number
5086-X-1100-A-5	5086, IEC Connector , 70°C, version: 2, L: solder terminal, N: solder terminal, ground: without terminal, color: jet black; RAL9005, design: insert type, dimension X:	6180.0006

The listet variants should be available from stock Other versions on request [www.schurter.com/contact](http://www.schurter.com/contact)

**Packaging unit** 50 Pcs

## Mating Inlets/Plugs

### Category / Description



[Interconnection Cord Overview complete](#)

Interconnection Cord with IEC Plug C, Angled 70°C	2711
Interconnection Cord with IEC Plug C, Angled	2712
Interconnection Cord with IEC Plug C, Straight	2730
Interconnection Cord with IEC Plug C, Straight	2731

[Interconnection Cord further types to 5086](#)