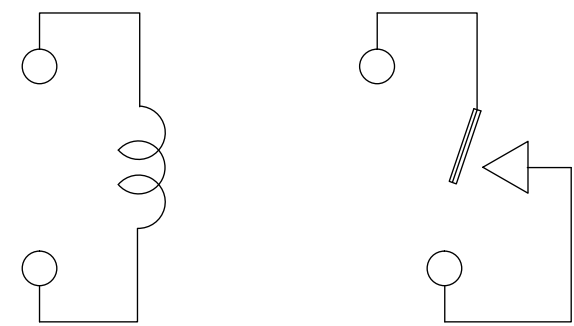
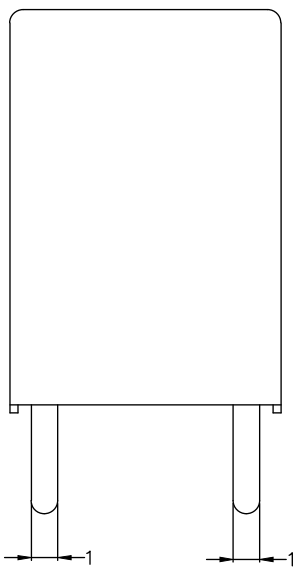
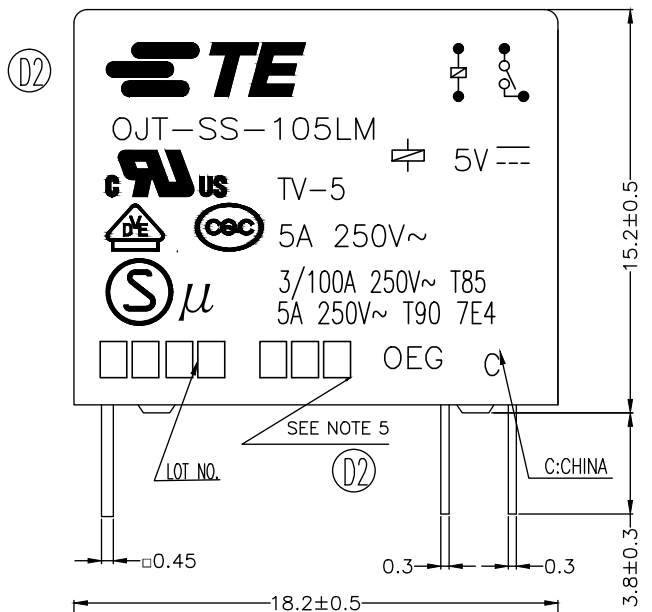


THIS DRAWING IS UNPUBLISHED. RELEASED FOR PUBLICATION
 © COPYRIGHT - By - TE CONNECTIVITY ALL RIGHTS RESERVED.

LOC	DIST	REVISIONS					
HB	-	P	LTR	DESCRIPTION	DATE	DWN	APVD
		E		UNIFY GROOVE OF GLUE ECO-15-012528	27Aug2015	YS.H	CSM



CONNECTION FIGURE

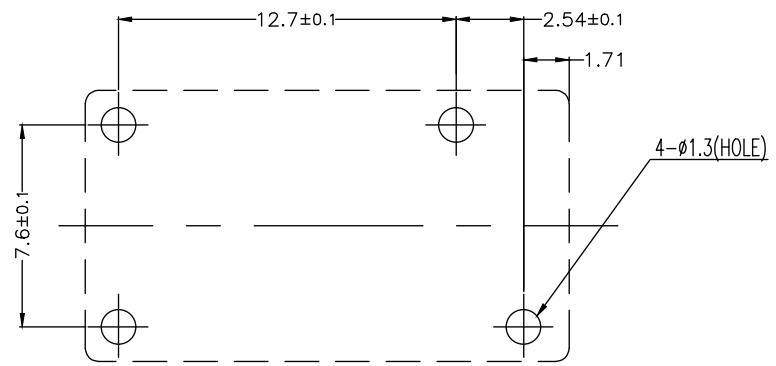
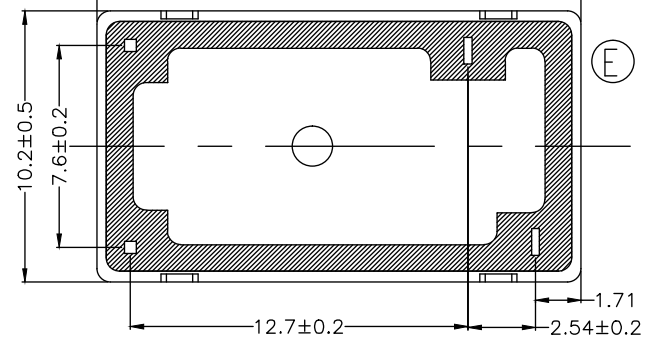


FIGURE FOR PRINTED CIRCUIT BOARD PROCESSING (BOTTOM VIEW)

Diagram dimension	Tolerance
0.99mm max.	±0.1mm
1 - 2.99mm	±0.2mm
3mm min.	±0.3mm



THIS DRAWING IS A CONTROLLED DOCUMENT.		DWN	Fu.Bo	-	TE Connectivity			
DIMENSIONS: mm		CHK	Zhang.XN	-				
TOLERANCES UNLESS OTHERWISE SPECIFIED:		APVD	Yang.Wen	-	NAME			
0 PLC ± - 1 PLC ± - 2 PLC ± - 3 PLC ± - 4 PLC ± - ANGLES ± - FINISH ± -		PRODUCT SPEC	-	-	OJT-SS-1**LM.000 CUSTOMER DRAWING			
MATERIAL		APPLICATION SPEC	-	-	SIZE	CAGE CODE	DRAWING NO	RESTRICTED TO
-		WEIGHT	-	-	A3	00779	1461492	-
CUSTOMER DRAWING					SCALE	5:1	SHEET	1 OF 2
					REV	E		

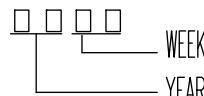
THIS DRAWING IS UNPUBLISHED. RELEASED FOR PUBLICATION
 © COPYRIGHT - By - TE CONNECTIVITY ALL RIGHTS RESERVED.


LOC	DIST	REVISIONS					
HB	-	P	LTR	DESCRIPTION	DATE	DWN	APVD
		-		SEE SHEET 1	-	-	-

107-79010	1461492-7	OJT-SS-124LM,000	24V	OJT-SS-124LM	g
107-79010	1461492-6	OJT-SS-118LM,000	18V	OJT-SS-118LM	f
107-79010	1461492-5	OJT-SS-112LM,000	12V	OJT-SS-112LM	e
107-79010	1461492-4	OJT-SS-109LM,000	9V	OJT-SS-109LM	d
107-79010	1461492-3	OJT-SS-106LM,000	6V	OJT-SS-106LM	c
107-79010	1461492-2	OJT-SS-105LM,000	5V	OJT-SS-105LM	b
107-79010	1461492-1	OJT-SS-103LM,000	3V	OJT-SS-103LM	a
PARKING SPEC	PART NO	EC TYPE NAME	PART B	PART A	TYPE

(C1)
(D1)

RELAY TYPE

(B) NOTES:
 1. LOT NO. SYSTEM AS FOLLOWING:



(D2) 5. ADD LOT NO. SYSTEM AS FOLLOWING;

 I, DIGITS FOR DAY OF THE WEEK
 1...MONDAY IN THIS WEEK;
 2...TUESDAY IN THIS WEEK;


 7...SUNDAY IN THIS WEEK

(D2) 2. TERMINAL DIMENSION IS BEFORE SOLDER DIP;
 (D2) 3. FOR THE TIN-PLATING OF THE PINS:
 +0.1mm FOR WIDTH, THICKNESS AND DIAMETER.
 +0.5mm FOR LENGTH.
 (D2) 4. MARKING FROM INK TO LASER.

II, DIGITS FOR SHIFT OF THE DAY
 1...DAY SHIFT IN THIS DAY;
 2...NIGHT SHIFT IN THIS DAY;
 III, ONE CHARACTER DISTINGUISH THE LINE
 IDENTITY, SUCH AS: A,B,....Z

		EPOXY RESIN	SEAL (BASE & BOBBIN)	15
		3UEW	MAGNETIC WIRE	14
94V-0		P.B.T	CASE	13
94V-0		P.B.T	BASE	12
94V-0		P.B.T	BOBBIN	11
	SOLDER DIP	C.P WIRE	COIL TERMINAL	10
94V-0		P.B.T	CARD	9
		Ag ALLOY	MOVABLE CONTACT	8
		Ag ALLOY	NO.CONTACT	7
		STEEL	HINGE SPRING	6
	SOLDER DIP	PBP	NO.TERMINAL	5
	SOLDER DIP	Cu ALLOY	MOVABLE SPRING	4
	Cu-Ni PLATED	STEEL	CORE	3
	Cu-Ni PLATED	STEEL	ARMATURE	2
	Cu-Ni PLATED	STEEL	YOKE	1

INCOMBUSTIBILITY	TREATMENT	MATERIAL	DESCRIPTION	ITEM
 TE Connectivity				
NAME: OJT-SS-1**LM.000 CUSTOMER DRAWING				
SIZE	CAGE CODE	DRAWING NO	RESTRICTED TO	
A3	00779	1461492		
CUSTOMER DRAWING			SCALE	SHEET
			5:1	2 OF 2
			REV	E

THIS DRAWING IS A CONTROLLED DOCUMENT.		DWN	Fu.Bo	-
DIMENSIONS: mm		CHK	Zhang.XN	-
TOLERANCES UNLESS OTHERWISE SPECIFIED:		APVD	Yang.Wen	-
		PRODUCT SPEC		
0 PLC ± - 1 PLC ± - 2 PLC ± - 3 PLC ± - 4 PLC ± - ANGLES ± -		APPLICATION SPEC		
MATERIAL	FINISH	WEIGHT		
-	-	-		