

## AC Filter 3-Stage, Very High Broad Band Attenuation

**Description**

- Chassis:  
Screw-on mounting, from top
- Line-filter in standard version, 3 positions, very high attenuation, broad-band
- Screw
- Very high symmetrical and asymmetrical attenuation loss in the frequency range from 10kHz up to 30MHz

**Approvals**

- VDE License Number: 40004673
- UL License Number: E72928

**Characteristics**

- Designed for highest demands
- High attenuation at maximum resp. asymmetric load independent from the line impedance
- For standard and industrial applications
- Qualified for use in equipment according IEC/EN 60950

**References**

[General Product Information](#)

**Weblinks**

[Approvals](#), [RoHS](#), [CHINA-RoHS](#), [Mating Connectors](#), [e-Store](#), [Distributor-Stock-Check](#), [Accessories](#)

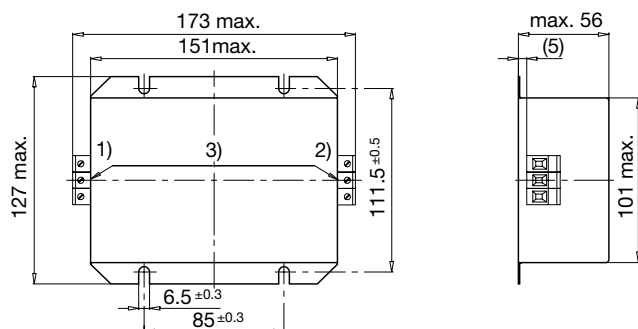
**Technical Data**

Ratings IEC	4 - 30A @ Ta 40 °C / 250 VAC; 50Hz
Ratings UL/CSA	4 - 30A @ Ta 40 °C / 125 VAC; 60Hz
Leakage Current	industrial < 1.5mA (250V / 60Hz)
Dielectric Strength	> 1.7 kVDC between L-N > 2.7 kVDC between L/N-PE Test voltage (2 sec)
Allowable Operation Temp.	-25 °C to 100 °C
Climatic Category	25/100/21 acc. to IEC 60068-1
Protection Class	Suitable for appliances with protection class 1 acc. to IEC 61140
Terminal	Screw
Material: Housing	Metal

Line Filter	Industrial Version, IEC 60939, IEC 60601-1, UL 1283, UL 544, EN 133 200, CSA C22.2 no. 8 <a href="#">Technical details</a>
MTBF	> 200'000h acc. to MIL-HB-217 F

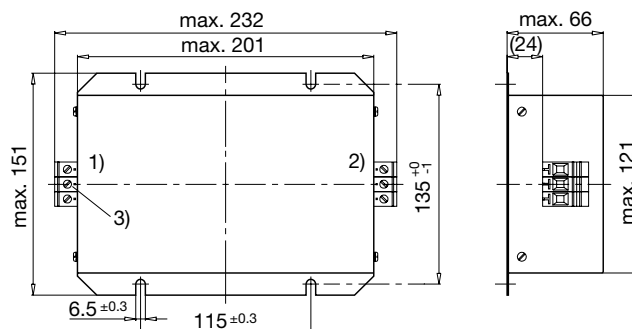
**Dimensions**

## Case 43



1) Line2) Load3) I/O connections torque 0.6...0.8 Nm

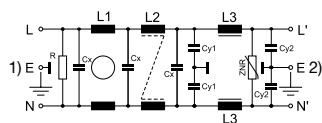
## Case 22



1) Line2) Load3) I/O connections torque 1.5...1.8 Nm

### Diagrams

Standard version



- 1) Line
- 2) Load

### Attenuation Loss

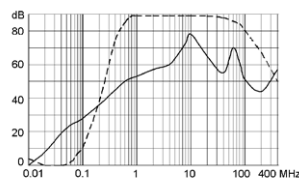
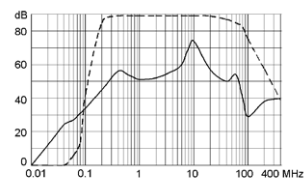
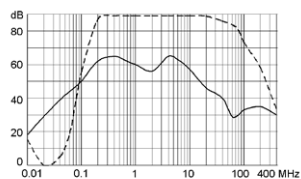
--- differential mode \_\_\_\_ common mode

Industrial Version

4 A

10 A

30 A



### Variants

Rated Current [A]	Filter-Type	Leakage Current [mA]	L1 [mH]	L2 [ $\mu$ H]	L3 [ $\mu$ H]	Cx [nF]	Cy1 [nF]	Cy2 [nF]	R [M $\Omega$ ]	Clamps [mm <sup>2</sup> ]	Weight [kg]	Housing	Order Number
4	Industrial Version	3.5	2 x 20	2 x 30	3	220	33	2.2	0.5	4	1.6	43	5500.2048
10	Industrial Version	1.5	2 x 5	2 x 30	3	220	15	-	0.5	4	1.8	43	5500.2049
30	Industrial Version	1.5	2 x 4	2 x 17	3	220	15	-	0.5	6	3.2	22	5500.2050

Packaging unit

1 Pcs