





PAD	CONNECTION
1	Enable/Disable
2	Not connected
3	Ground
4	Output 1
5	Output 2
6	Supply

Scale 2:1

## Features

-  **Differential outputs**
-  **Enable / disable tristate function**
-  **Power saving function**
-  **Fast rise / fall times**

## Standard Frequencies

Frequencies in MHz	
100.0000	125.0000
106.2500	155.5200
108.0000	156.2500

Other frequencies available. Please consult our sales office.

## Specifications

Parameters	Product	Option Codes
	GXO-L71	
<b>Frequency range:</b> 80.0 ~ 250MHz	<input checked="" type="checkbox"/>	
<b>Frequency stability*:</b> ±100ppm ±50ppm ±25ppm	<input checked="" type="checkbox"/> <input type="checkbox"/> <input type="checkbox"/>	B A
<b>Operating temperature range:</b> -10 to +70°C -40 to +85°C	<input checked="" type="checkbox"/> <input type="checkbox"/>	I
<b>Storage temperature range:</b> -55 to +125°C	<input checked="" type="checkbox"/>	
<b>Supply voltage (V<sub>DD</sub>):</b> +3.3V (±5%)	<input checked="" type="checkbox"/>	
<b>Supply current:</b> 66mA max	<input checked="" type="checkbox"/>	
<b>Output:</b> LVDS	<input checked="" type="checkbox"/>	
<b>Offset voltage:</b> 1.25V typ	<input checked="" type="checkbox"/>	
<b>Differential output voltage:</b> 0.247V ~ 0.454V (0.33V typ)	<input checked="" type="checkbox"/>	
<b>Output load:</b> 100Ω	<input checked="" type="checkbox"/>	
<b>Start up time:</b> 10ms max	<input checked="" type="checkbox"/>	
<b>Waveform symmetry:</b> 45:55 max @ 50%V <sub>p,p</sub>	<input checked="" type="checkbox"/>	
<b>Rise / fall time:</b> 0.7ns max (20 ~ 80%V <sub>p,p</sub> )	<input checked="" type="checkbox"/>	
<b>Enable / disable function:</b> Tristate (control via pad 1)	<input checked="" type="checkbox"/>	
<b>Output enable / disable time:</b> 10 ms / 200ns max	<input checked="" type="checkbox"/>	
<b>Stand-by current:</b> 30µA max	<input checked="" type="checkbox"/>	
<b>Phase jitter RMS:</b> 1ps max, 12kHz~20MHz	<input checked="" type="checkbox"/>	

Standard.  Optional - Please specify required code(s) when ordering

\* Frequency stability is inclusive of calibration @ 25°C, operating temperature range, supply voltage change, load change, ageing, shock and vibration.

## Ordering Information

Product name + option codes (if any) + frequency

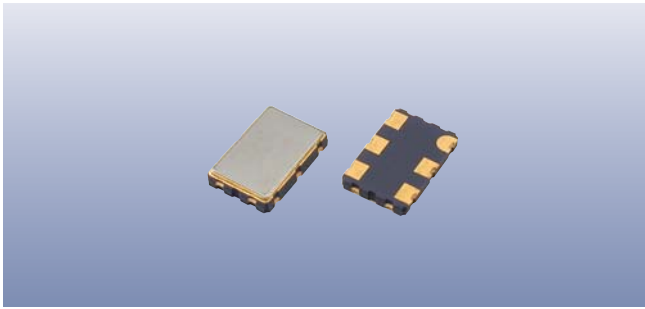
eg: **GXO-L71 80.0MHz** ±100ppm -10+70°C

**GXO-L71/BI 125.0MHz** ±50ppm -40+85°C

Option code X (eg GXO-L71/X) denotes a custom spec.

## Enable / Disable Function

Input (pad 1)	Output 1 (pad 4)	Output 2 (pad 5)
Open	Enabled	Enabled
'1' level ( $\geq 0.7V_{DD}$ )	Enabled	Enabled
'0' level ( $\leq 0.3V_{DD}$ )	High Impedance	High Impedance



## Construction

- ▬▬▬▬ **Ceramic body with gold-plated pads**
- ▬▬▬▬ **Metal lid, seam sealed**

## Composition



This product is lead-free, and is fully compliant with the RoHS directive 2002/95/EC



## Packaging & Handling

Production quantities supplied on T & R, 2k pcs per reel.  
Small quantities may be supplied on tape (no reel), or in bulk.



◆ Static sensitive product. Observe proper handling precautions

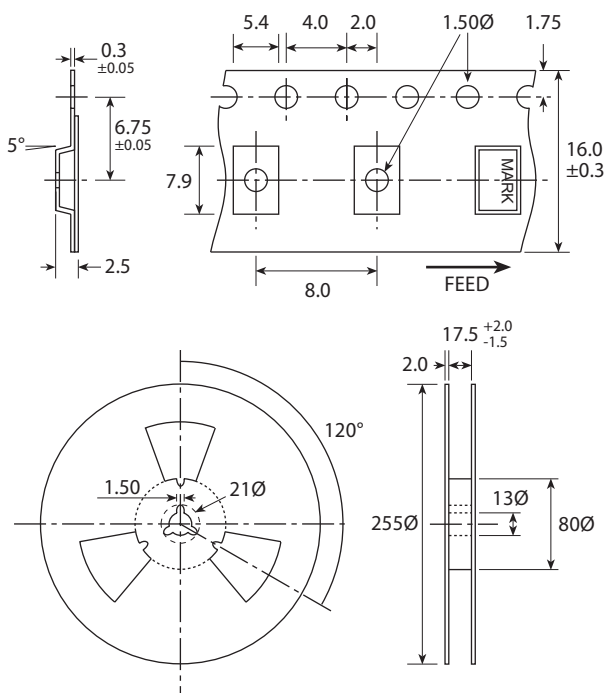
## Marking

GOLLEDGE  
FREQUENCY  
● PARTNO DC

- Pin 1
- Marking type: Laser
- DC = Date code in YM, eg "CE" = May 2003

	A	B	C	D	E	F	G	H	J	K	L	M
Y	1	2	3	4	5	6	7	8	9	0		
M	Jan	Feb	Mar	Apr	May	Jun	Jul	Aug	Sep	Oct	Nov	Dec

## Tape & Reel Specification



Not to scale. Dimensions in mm. Tolerances ±0.1mm unless otherwise stated

## Soldering Profile

