

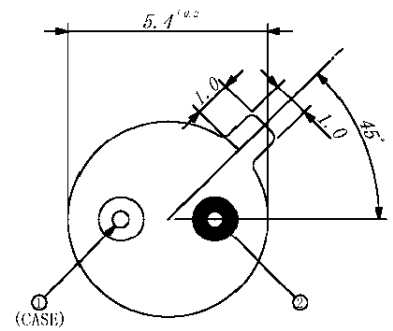
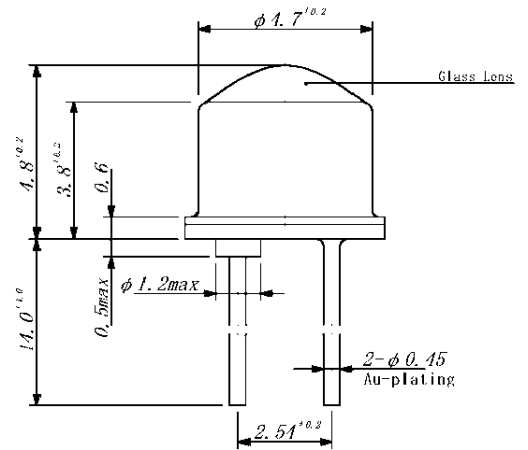
MT5050N2-UG

Features

Blue-Green Color
High Output Power
High Reliability
Narrow Beam Angle

Applications

Color Sensor
Bar Code Reader
Paper Sensor



Maximum Ratings (Ta=25°C)

| Characteristic | Symbol | Max. | Test Condition | Unit |
|------------------------|------------------|--------------|--------------------|------|
| Forward Current | I _F | 30 | — | mA |
| Pulsed Forward Current | I _{FP} | .30 | tw=10μS, T=10mS | A |
| Reverse Voltage | V _R | 5 | — | V |
| Power Dissipation | P _D | 120.00 | — | mW |
| Operating Temperature | T _{opr} | -20~+85 | — | °C |
| Storage Temperature | T _{stg} | -30 ~+100 | — | °C |
| Junction Temperature | T _j | 100 | — | °C |
| Soldering Temperature | T _{sol} | 260 | for 5 sec. max | °C |

Opto-Electrical Characteristics (Ta=25°C)

| Characteristic | Symbol | Test Condition | Min | Typ | Max | Unit |
|---------------------------|----------------|----------------------|-----|------|------|------|
| Forward Voltage | V _F | I _F =20mA | — | 3.40 | 4.00 | V |
| Reverse Current | I _R | V _R =5V | — | — | 100 | μA |
| Power Output | PO | I _F =20mA | — | .80 | — | mW |
| Half Intensity Beam Angle | θ | — | — | ± 4° | — | deg. |
| Peak Wavelength | λ _p | I _F =20mA | — | 500 | — | nm |
| Dominant Wavelength | λ _d | I _F =20mA | — | 505 | — | nm |
| Spectral Line Half Width | Δλ | I _F =20mA | — | 35 | — | nm |

Company Headquarters

3 Northway Lane North
Latham, New York 12110
Toll Free: 800.984.5337
Fax: 518.785.4725

West Coast Sales Office

950 South Coast Drive, Suite 265
Costa Mesa, California 92626
Toll Free: 800.984.5337
Fax: 714.850.9314

MT5050N2-UG Graphs

