

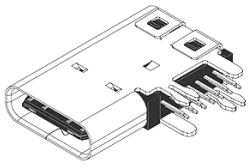
CONNECTORS

Operation: DIP 2.0Type-C/側立&插板式



LTEM NO.:MC-324
(Type-C CONNECTORS)

Universal Serial Bus Connectors



Technical parameter

PROJECT	LEVEL	A[better product]	B[average product]
	Contact Rating	5.0A, 20V DC	
Electrical Properties	Initial Contact Resistance	30mΩ max.	50mΩ max.
	Insulation Resistance	100MΩ min.500V DC	Skey/PD: 100MΩ min.300V DC
	Withstand Voltage	500V AC for 1 minute	350 V AC for 1 minut
Durable Performance	There No Load	10,000 Cycles	8,000 Cycles
	Rated Load	8,500 Cycles	6,500 Cycles
	Storage temp.	-30℃~+75℃(Operating Temp:)	

表面側插 DIP

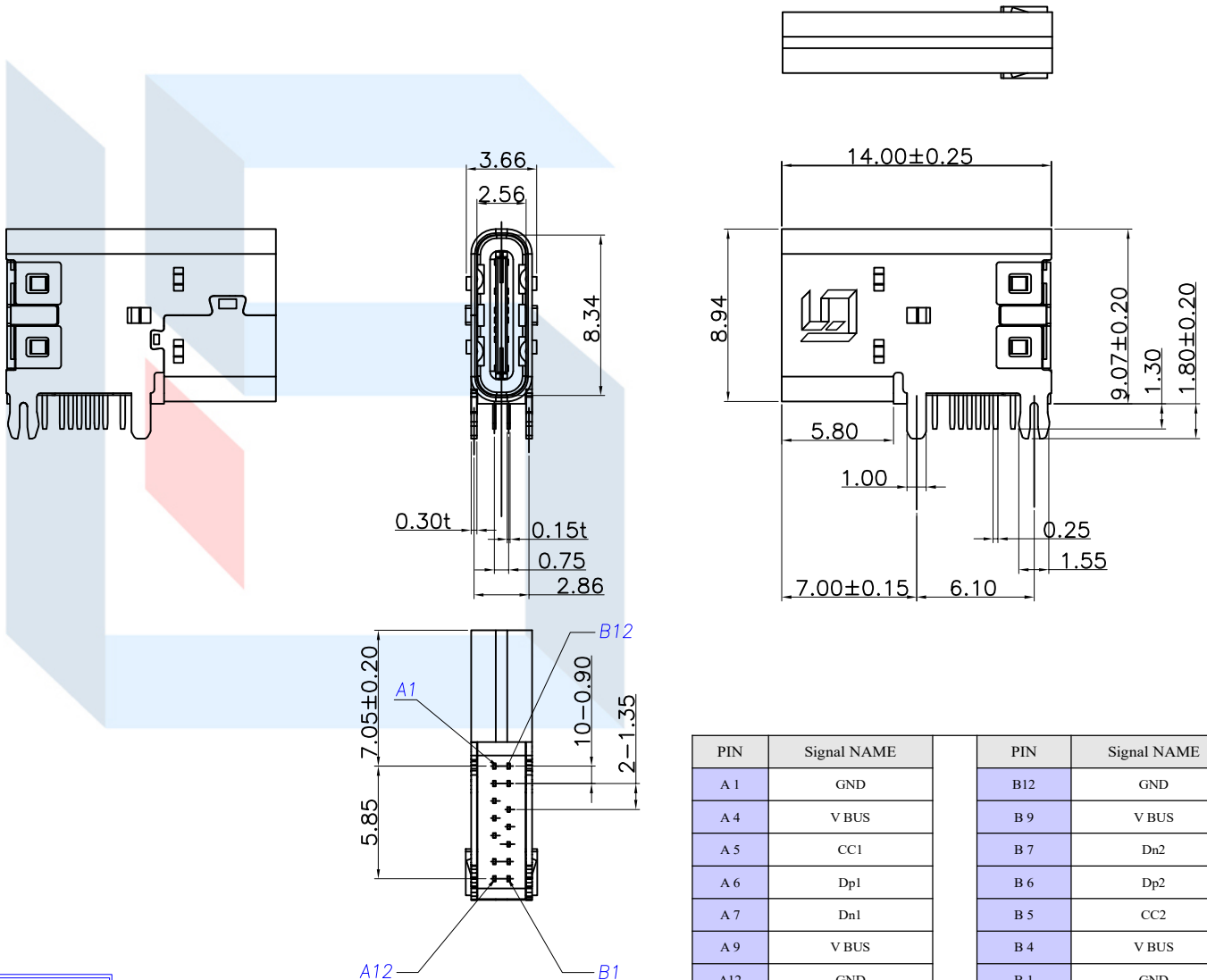
側向導入 LATERAL

精密部品 NICETY

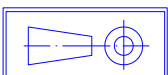
可靠 STABILIZE

適合環保 RoHS

Unit:mm



PIN	Signal NAME	PIN	Signal NAME
A 1	GND	B12	GND
A 4	V BUS	B 9	V BUS
A 5	CC1	B 7	Dn2
A 6	Dp1	B 6	Dp2
A 7	Dn1	B 5	CC2
A 9	V BUS	B 4	V BUS
A12	GND	B 1	GND



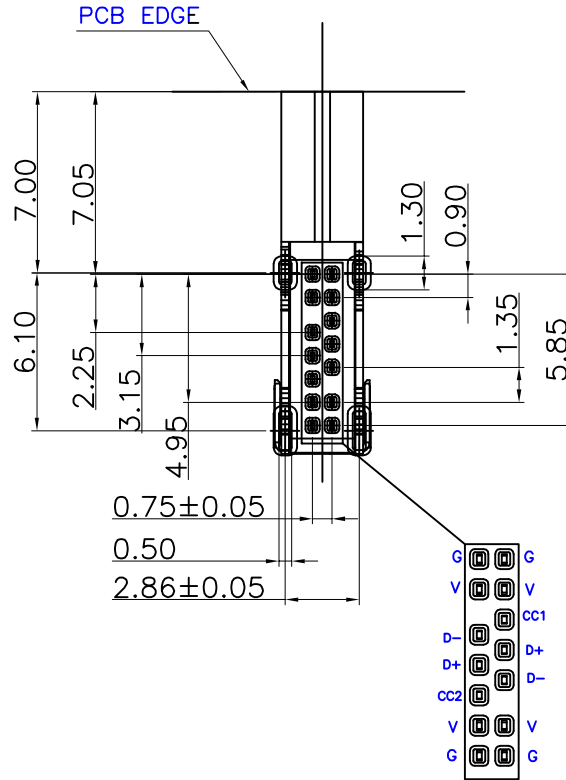
Operating Force

Inward
Exiting

5. 0N (500gf) ~ 15. 0N
6. 0N [(800gf) ~ 17. 0N

PRODUCT MEET THE REQUEST OF THE ROHS

MATTER	RoHs (PPM)
Cd	≤ 100
Pb	≤ 1000
Hg	≤ 1000
Cr6+	≤ 1000
PBB	≤ 1000
PBDE	≤ 1000



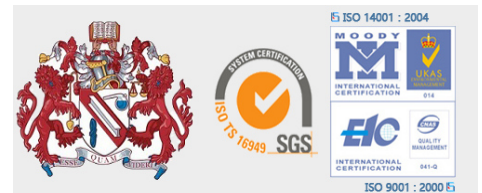
DECIMALS	ANGLES
.X :±0.20	X.° :±1.5°
.XX :±0.10	X.X° :±1.0°
.XXX :±0.05	.XXX° :±0.5°

Pin Definition



Material declaration

No.	NAME	Type	Description
①	SHELL	1	Stainless Steel,(Gold Flash)
②	HOUSING	1	THERMOPLASTIC(glass fiber filled)BK
③	CONTACT	14	BRASS(t=0.12mm)
④	METAL COVER	1	STAINLESS STEEL(t=0.30mm)
⑤	LOCK PIN	2	STAINLESS STEEL(t=0.20mm)



本品不屬於危害性廢棄物,須丟棄時可以委託回收商予以回收再生處理。
Products do not belong to •

注記 NOTICE

1. 碩方公司擁有最終解釋權; The company reserves the right of final interpretation;
2. 文件禁止外洩、轉載; Leaked and reproduced prohibited;
3. 未經授權修改無效。Modify is invalid.

運送時本產品不要直接與水、酸鹼性化學物質接觸,或放置於含有以上氣體環境中,並且需要注意會有滑落、側翻的危險發生; 運輸過程中不能有碰撞或者擠壓,須保證溫度與濕度適中 [常溫 25℃,濕度在 50℃以內],不可導致材料變形或氧化。