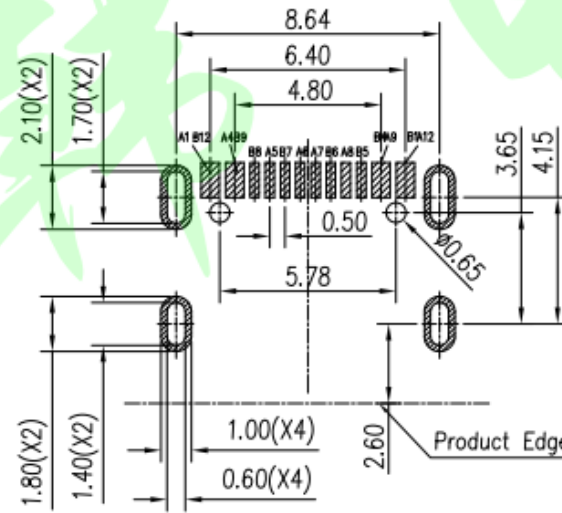
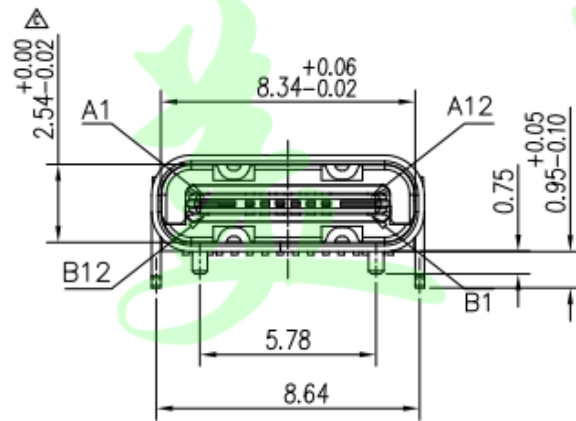
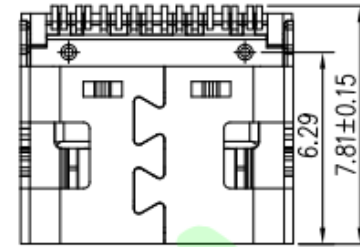
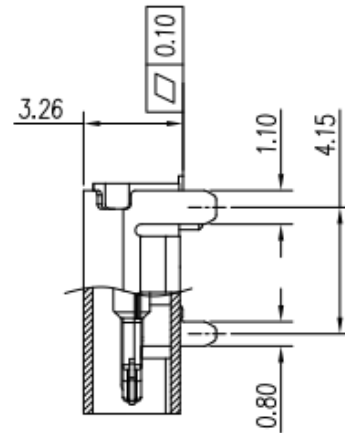
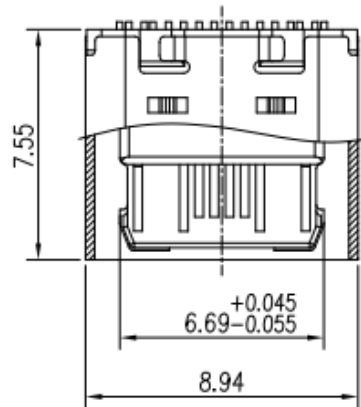


http://www.usakro.com

VER	MARK	PR. BY	ECR/ECN DESCRIPTION	DATE
B	△	Jack	增加料号	09/15' 18
C	△		更改尺寸	06/20' 19



RECOMMENDED P.C.B. LAYOUT
TOLERANCE UNSPECIFIED ±0.05mm

A1	GND	B12	GND
A4	VBUS	B9	VBUS
A5	CC1	B8	SBU2
A6	DP1	B7	DN2
A7	DN1	B6	DP2
A8	SBU1	B5	CC2
A9	VBUS	B4	VBUS
A12	GND	B1	GND
PIN	SIGNAL NAME	PIN	SIGNAL NAME

注解:

规格描述:

1. 额定电流: 3A MAX
2. 额定电压: 20V DC MAX
3. 介质承受电压: 100 VAC 1MINUTE
4. 工作温度: -40 °C ~ 85 °C
5. 接触阻抗: 40 MILLIONHM MAX
6. 绝缘阻抗: 100 MEGOHMS MIN.
7. 插入力: 5N~20N
8. 拔出力: 6N~20N
9. 寿命耐久: 3000 次
10. 盐雾: 24H

型号	规格
TYPE-C-16M-0232MD	普通款黑色(短脚)/端子电镀1U"
TYPE-C-16M-0232MD2	普通款深橙色(短脚)
TYPE-C-16M-0232MD3	普通款黑色(短脚)/端子电镀3U"

NO.	PART NAME	Q' TY	MATERIAL	FINISH	ASSEMBLY		GENERAL TOLERANCES UNLESS SPECIFIED		APPROVED BY: Song	TITLE: Type-C 16Pin 2次MD 板上型 短脚	东莞市美韩电子科技有限公司 Angnan Usakro Electronic Technology Co., Ltd
					SIZE	UNITS	X±0.30	X'±3.5'			
4	Shell	1	C2680-EH 0.3*30mm	80u"Ni Min.	A4	MM[INCH]	.X±0.25	.X'±2.5'	CHECKED BY: Talen	PART NO.:	SHEET 1/3
3	Down Contact	1	C2680-EH 0.15*16.8mm	Au 1U"/50-80u"Ni Min.	SCALE	REV.	.XX±0.15	.XX'±2.0'	DESIGN BY:	DWG NO.:	
2	Top Contact	1	C2680-EH 0.15*17.8mm	Au 1U"/50-80u"Ni Min.	1:1	1	.XXX±0.10	.XXX'±1.5'	Deng	TYPE-C-16M-0232MD	
1	Housing	1	LCP or PA	UL 94 V-0							

