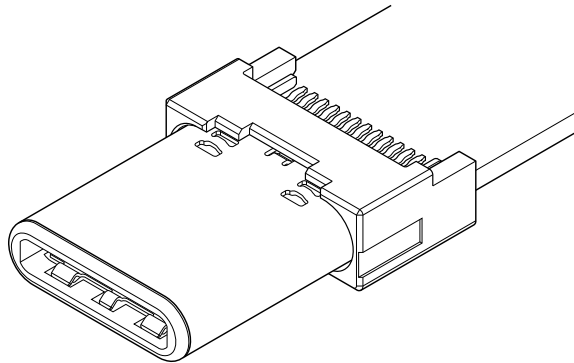
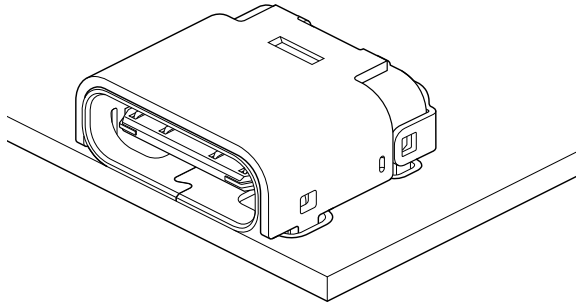


UBC CONNECTOR

USB (Universal Serial Bus) Conforming Connector



This connector is an interface connector conforming to USB (Universal Serial bus) Type-C. High-speed transmission of up to 10 Gbps and power supply of up to 100 W are available. It has a reversible construction, so that insertion and extraction without having to worry about the orientation (both sides) of the plug is possible.

- 10,000 cycles of insertion and extraction is provided as durability.
- Halogen-free

Receptacle

- Double structure shell provides strong mechanical structure (Single structure shell is also available.)
- Contact lead is a hybrid type of DIP/SMT.

Plug

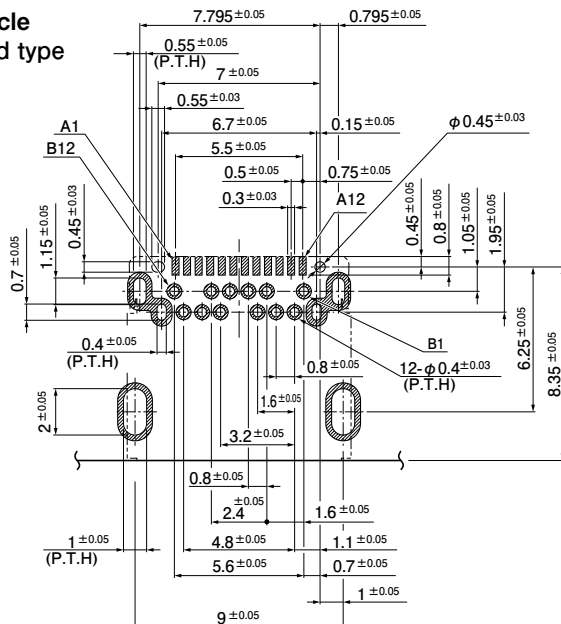
- As cover housing is used for this UBC connector, preventing the resin for overmolding from coming into the inside of the connector in a harness processing process is realized.

Specifications

- Current rating: 1.25 A/Pin AC/DC Vbus (A4, A9, B4, B9)
GND (A1, A12, B1, B12)
CC1 (A5), CC2 (B5)
: 0.25 A/Pin AC/DC Other circuits
- Voltage rating: 20 V AC/DC
- Temperature rang: -25°C to +85°C
(including temperature rise in applying electrical current)
- Contact resistance: Initial value/40 mΩ max.
After environmental tests/10 mΩ max.
(variation from initial value)
- Insulation resistance: 100 MΩ min.
- Withstanding voltage: 100 VAC/minute
- * In using the products, refer to "Handling Precaution for Terminal and Connector" described on our website (Technical documents of Product information page)
- * RoHS2 compliance
- * Dimensional unit: mm
- * Contact JST for details.

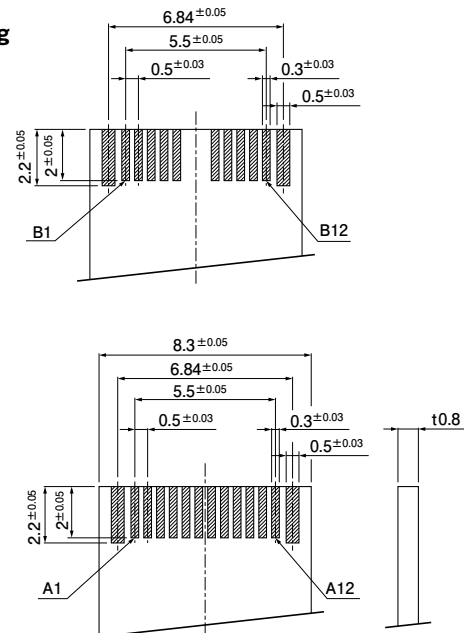
PC board layout

Receptacle On-board type



Recommended PC board thickness: t1.0

Plug

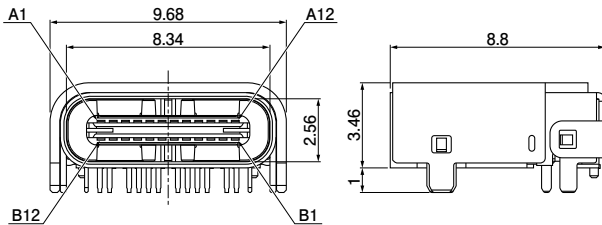


Recommended PC board layout

Receptacle

On-board type

TID No. : 520000192



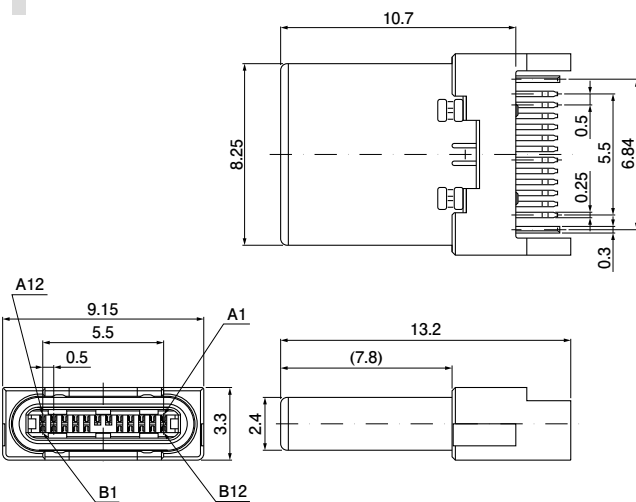
Q'ty/reel: 1,000 pcs.

Model No.	Material and Finish	
UBC-R112-56C-7ATS(HF)	Contact A	Copper alloy, nickel-undercoated, selective nickel-palladium alloy-plated selective gold-plated
	Contact B	Copper alloy, nickel-undercoated, selective nickel-palladium alloy-plated selective gold-plated
	Housing	Heat resisting resin, UL94V-0, black
	EMC pad	Stainless steel
	Mid plate	Stainless steel, nickel-undercoated, tin-plated
	Shell	Stainless steel, nickel-undercoated, tin-plated
Cover shell	Stainless steel, nickel-undercoated, tin-plated	

RoHS2 compliance

Plug

TID No. : 520000193



Q'ty/box: 3,888 pcs.

Model No.	Material and Finish	
UBC-P-514-7B(HF)	Housing	Heat resisting resin, UL94V-0, black
	Contact A	Copper alloy, nickel-undercoated, selective nickel-palladium alloy-plated selective gold-plated
	Contact B	Copper alloy, nickel-undercoated, selective nickel-palladium alloy-plated selective gold-plated
	Shell	Stainless steel
	Ground bar	Stainless steel
	Lock	Stainless steel, nickel-undercoated, tin-plated
	Center ground plate	Stainless steel
	Cover housing	Heat resisting resin, UL94V-0, black
	Kapton tape	Polyimide

RoHS2 compliance