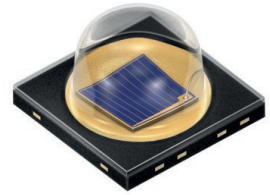


# SFH 4715AS

## OSLON® Black

OSLON Black Series (850 nm) - 80°



### Applications

- CCTV Surveillance
- Eye Tracking
- Gesture Recognition
- Safety and Security, CCTV

### Features:

- Package: clear silicone
- Corrosion Robustness Class: 3B
- Qualifications: The product qualification test plan is based on the guidelines of AEC-Q101-REV-C, Stress Test Qualification for Automotive Grade Discrete Semiconductors.
- ESD: 2 kV acc. to ANSI/ESDA/JEDEC JS-001 (HBM, Class 2)
- IR lightsource with high efficiency
- Double stack emitter
- Low thermal resistance (Max. 9 K/W)
- Centroid wavelength 850 nm

### Ordering Information

| Type            | Radiant intensity <sup>1)2)</sup><br>$I_F = 1000 \text{ mA}; t_p = 10 \text{ ms}$<br>$I_e$ | Radiant intensity <sup>1)</sup><br>typ.<br>$I_F = 1000 \text{ mA}; t_p = 10 \text{ ms}$<br>$I_e$ | Ordering Code |
|-----------------|--|--|---------------|
| SFH 4715AS-EA   | 710 ... 900 mW/sr  | 900 mW/sr  | Q65112A0262   |
| SFH 4715AS      | 710 ... 1120 mW/sr   | 900 mW/sr  | Q65111A6857   |
| SFH 4715AS-EAEB | 710 ... 1120 mW/sr   | 900 mW/sr  | Q65112A8930   |
| SFH 4715AS R33  | 710 ... 1120 mW/sr   | 900 mW/sr  | Q65113A3215   |

## Maximum Ratings

$T_A = 25\text{ °C}$

| Parameter  | Symbol    |              | Values           |
|--|-----------|--------------|------------------|
| Operating temperature  | $T_{op}$  | min.<br>max. | -40 °C<br>125 °C |
| Storage temperature  | $T_{stg}$ | min.<br>max. | -40 °C<br>125 °C |
| Junction temperature   | $T_j$     | max.         | 145 °C           |
| Forward current  | $I_F$     | max.         | 1500 mA          |
| Surge current<br>$t_p \leq 800\ \mu\text{s}; D = 0.005$                | $I_{FSM}$ | max.         | 3 A              |
| Reverse current <sup>3)</sup>  | $I_R$     | max.         | 200 mA           |
| Power consumption  | $P_{tot}$ | max.         | 5.8 W            |
| ESD withstand voltage<br>acc. to ANSI/ESDA/JEDEC JS-001 (HBM, Class 2) | $V_{ESD}$ | max.         | 2 kV             |

For the forward current and power consumption please see “maximum permissible forward current” diagram

## Characteristics

$I_F = 1000 \text{ mA}$ ;  $t_p = 10 \text{ ms}$ ;  $T_A = 25 \text{ °C}$

| Parameter   | Symbol                      |              | Values                 |
|---|-----------------------------|--------------|------------------------|
| Peak wavelength   | $\lambda_{\text{peak}}$     | typ.         | 860 nm                 |
| Centroid wavelength   | $\lambda_{\text{centroid}}$ | typ.         | 850 nm                 |
| Spectral bandwidth at 50% $I_{\text{rel,max}}$ (FWHM)                                       | $\Delta\lambda$             | typ.         | 30 nm                  |
| Half angle  | $\varphi$                   | typ.         | 40 °                   |
| Dimensions of active chip area  | L x W                       | typ.         | 1 x 1<br>mm x mm       |
| Rise time (10% / 90%)<br>$I_F = 3 \text{ A}$ ; $R_L = 50 \text{ }\Omega$                    | $t_r$                       | typ.         | 12 ns                  |
| Fall time (10% / 90%)<br>$I_F = 3 \text{ A}$ ; $R_L = 50 \text{ }\Omega$                    | $t_f$                       | typ.         | 15 ns                  |
| Forward voltage <sup>4)</sup>   | $V_F$                       | typ.<br>max. | 3.15 V<br>3.5 V        |
| Forward voltage <sup>4)</sup><br>$I_F = 1.5 \text{ A}$ ; $t_p = 100 \text{ }\mu\text{s}$    | $V_F$                       | typ.<br>max. | 3.3 V<br>3.85 V        |
| Forward voltage <sup>4)</sup><br>$I_F = 3 \text{ A}$ ; $t_p = 100 \text{ }\mu\text{s}$      | $V_F$                       | typ.<br>max. | 3.8 V<br>4.7 V         |
| Reverse voltage <sup>3)</sup><br>$I_R = 20 \text{ mA}$                                      | $V_R$                       | max.         | 1.2 V                  |
| Reverse voltage (ESD device) <sup>3)</sup>  | $V_{\text{RES D}}$          | min.         | 5 V                    |
| Radiant intensity <sup>1)</sup><br>$I_F = 1.5 \text{ A}$ ; $t_p = 100 \text{ }\mu\text{s}$  | $I_e$                       | typ.         | 1330 mW/sr             |
| Total radiant flux <sup>5)</sup>  | $\Phi_e$                    | typ.         | 1530 mW                |
| Total radiant flux <sup>5)</sup><br>$I_F = 1.5 \text{ A}$ ; $t_p = 100 \text{ }\mu\text{s}$ | $\Phi_e$                    | typ.         | 2250 mW                |
| Temperature coefficient of voltage  | $TC_V$                      | typ.         | -2 mV / K              |
| Temperature coefficient of brightness   | $TC_I$                      | typ.         | -0.3 % / K             |
| Temperature coefficient of wavelength   | $TC_\lambda$                | typ.         | 0.3 nm / K             |
| Thermal resistance junction solder point real <sup>6)</sup>                                 | $R_{\text{thJS real}}$      | typ.<br>max. | 5.5 K / W<br>9.0 K / W |

## Brightness Groups

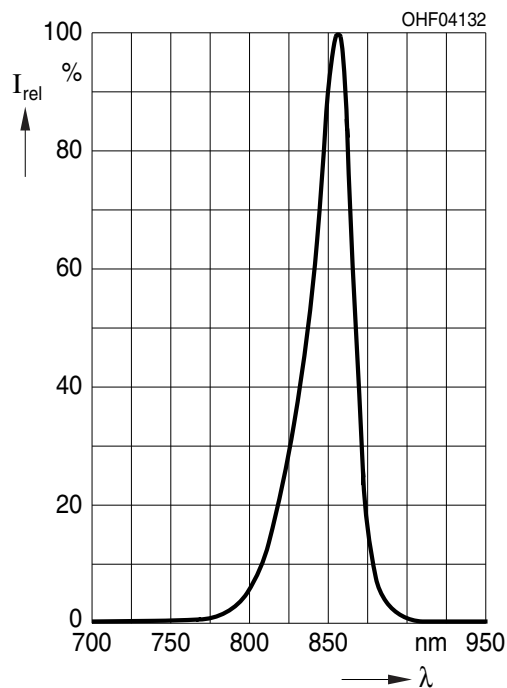
$T_A = 25\text{ °C}$

| Group | Radiant intensity <sup>1)2)</sup><br>$I_F = 1000\text{ mA}; t_p = 10\text{ ms}$<br>min.<br>$I_e$ | Radiant intensity <sup>1)2)</sup><br>$I_F = 1000\text{ mA}; t_p = 10\text{ ms}$<br>max.<br>$I_e$ |
|-------|--|--|
|       | EA   | 710 mW/sr  |
| EB    | 900 mW/sr  | 1120 mW/sr   |

Only one group in one packing unit (variation lower 1.6:1)

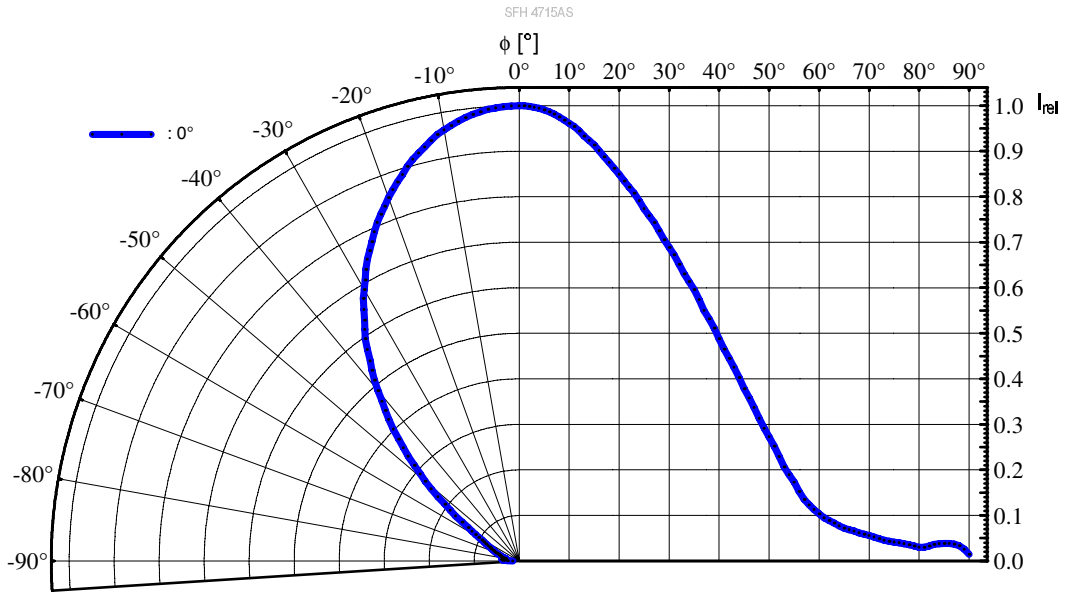
## Relative Spectral Emission <sup>7), 8)</sup>

$I_{e,rel} = f(\lambda); I_F = 1000\text{ mA}; t_p = 10\text{ ms}$



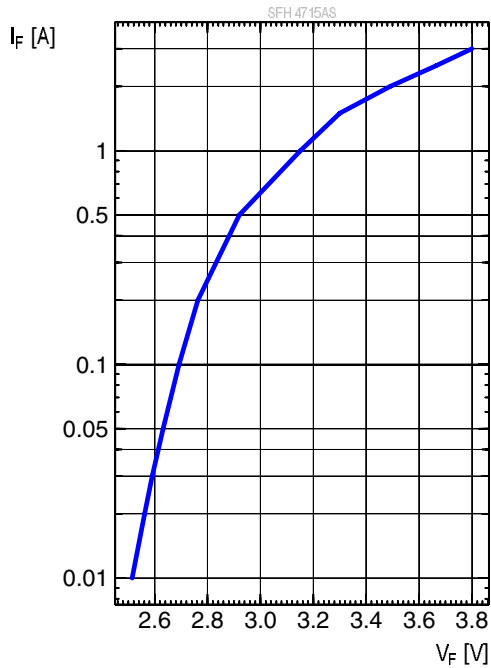
**Radiation Characteristics** (7), (8)

$I_{e,rel} = f(\varphi)$



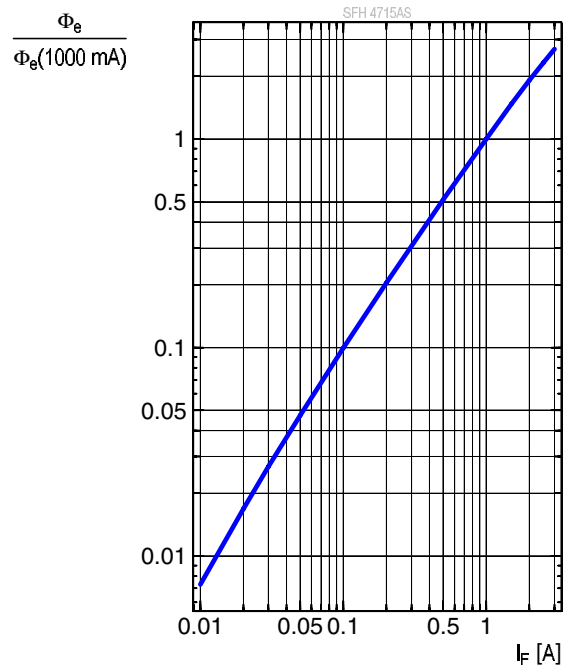
**Forward current** (7), (8)

$I_F = f(V_F)$ ; single pulse;  $t_p = 100 \mu s$



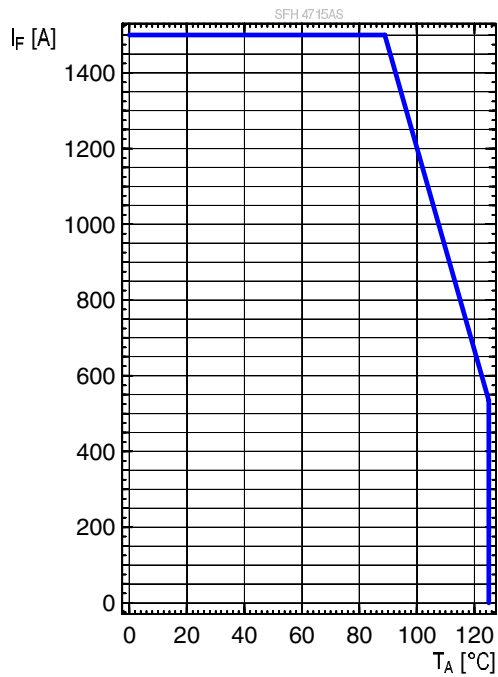
**Relative Total Radiant Flux** (7), (8)

$\Phi_e / \Phi_e(1000mA) = f(I_F)$ ; single pulse;  $t_p = 100 \mu s$



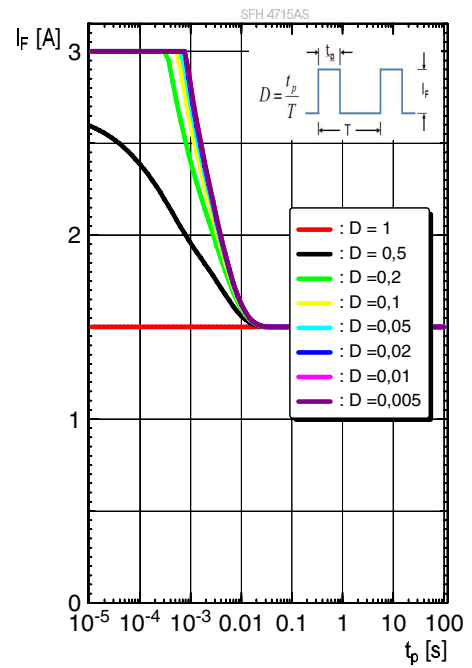
### Max. Permissible Forward Current

$$I_{F,max} = f(T_S); R_{th_{js}} = 9K / W$$

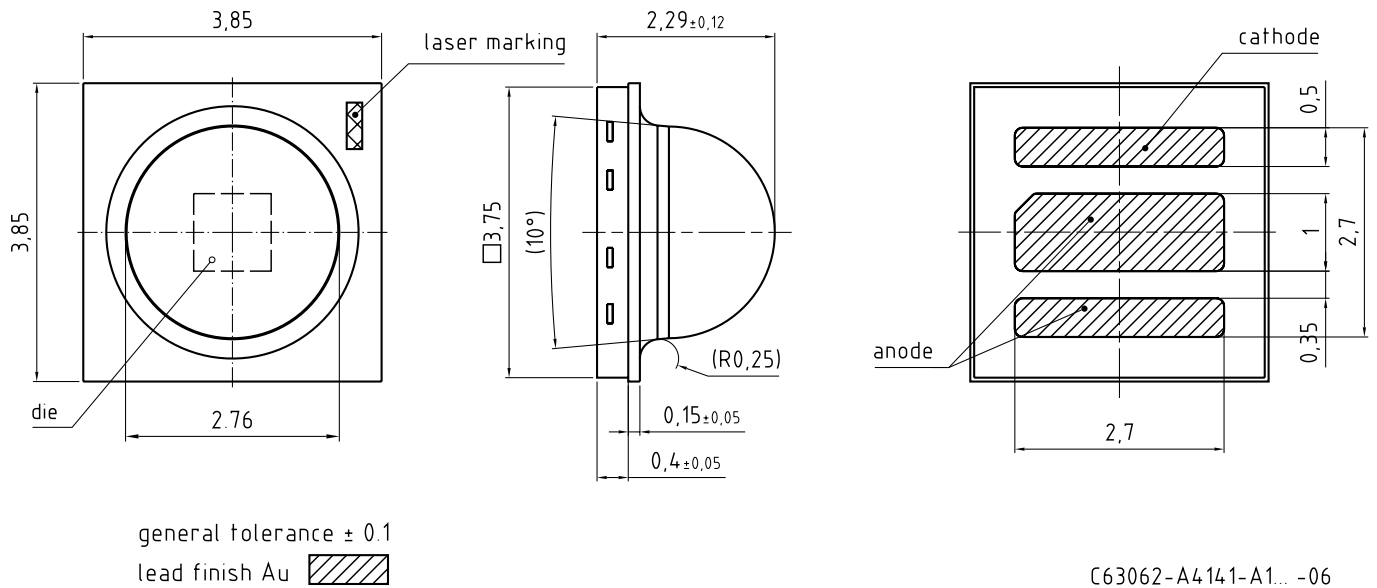


### Permissible Pulse Handling Capability

$$I_F = f(t_p); D = \text{parameter}; T_S = 85^\circ C$$



**Dimensional Drawing** <sup>9)</sup>



**Further Information:**

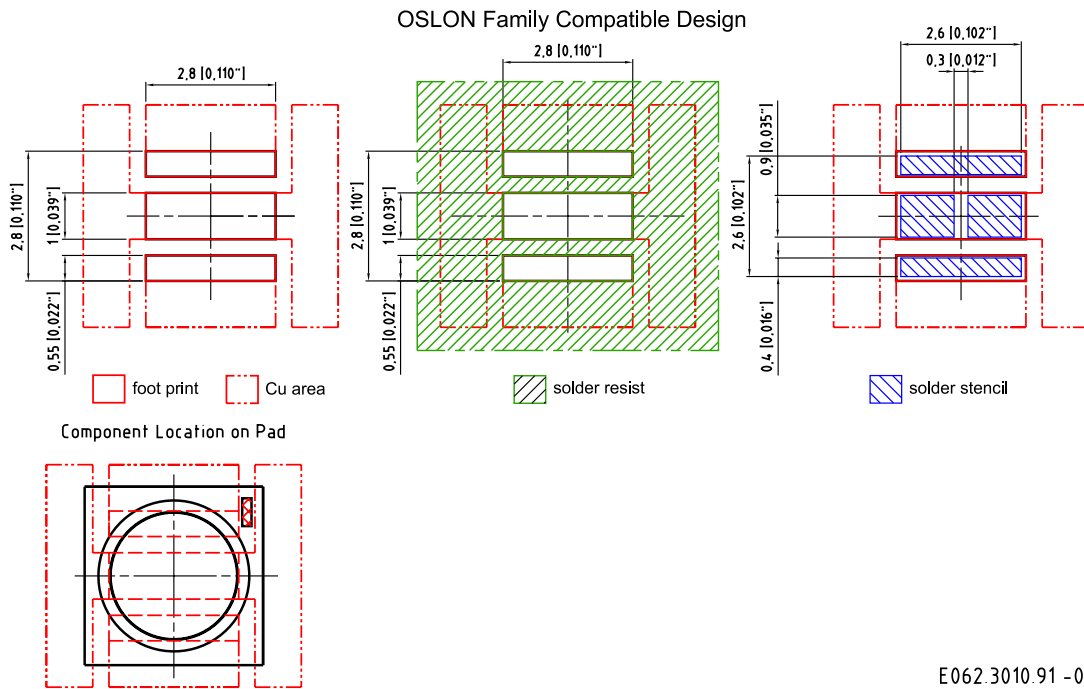
**Approximate Weight:** 31.0 mg

**Package marking:** Cathode

**Corrosion test:** Class: 3B  
 Test condition: 40°C / 90 % RH / 15 ppm H<sub>2</sub>S / 14 days (stricter than IEC 60068-2-43)

**ESD advice:** The device is protected by ESD device which is connected in parallel to the Chip.

Recommended Solder Pad <sup>9)</sup>



E062.3010.91-05

For superior solder joint connectivity results we recommend soldering under standard nitrogen atmosphere. Package not suitable for ultra sonic cleaning.



## Reflow Soldering Profile

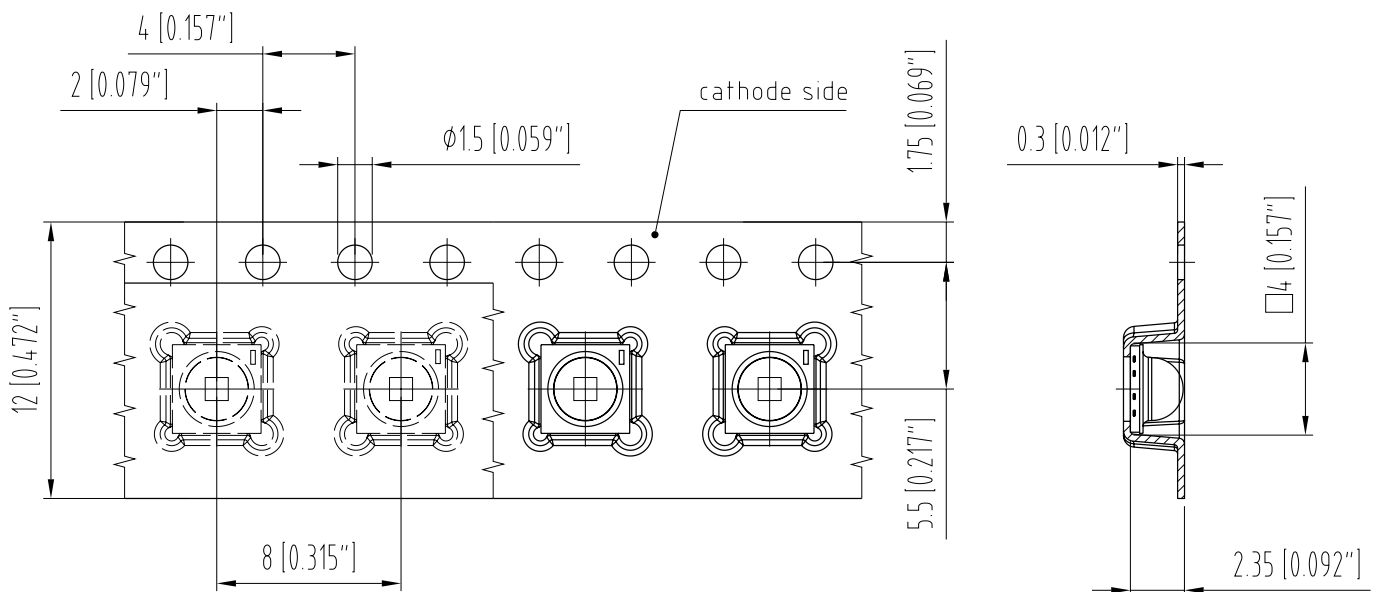
Product complies to MSL Level 2 acc. to JEDEC J-STD-020E



| Profile Feature  | Symbol | Pb-Free (SnAgCu) Assembly |                |         | Unit |
|--|--------|---------------------------|----------------|---------|------|
|  |        | Minimum                   | Recommendation | Maximum |      |
| Ramp-up rate to preheat <sup>*)</sup><br>25 °C to 150 °C       |        |                           | 2              | 3       | K/s  |
| Time $t_s$<br>$T_{Smin}$ to $T_{Smax}$                         | $t_s$  | 60                        | 100            | 120     | s    |
| Ramp-up rate to peak <sup>*)</sup><br>$T_{Smax}$ to $T_p$      |        |                           | 2              | 3       | K/s  |
| Liquidus temperature   | $T_L$  |                           | 217            |         | °C   |
| Time above liquidus temperature                                | $t_L$  |                           | 80             | 100     | s    |
| Peak temperature   | $T_p$  |                           | 245            | 260     | °C   |
| Time within 5 °C of the specified peak temperature $T_p - 5$ K | $t_p$  | 10                        | 20             | 30      | s    |
| Ramp-down rate*<br>$T_p$ to 100 °C                             |        |                           | 3              | 6       | K/s  |
| Time<br>25 °C to $T_p$   |        |                           |                | 480     | s    |

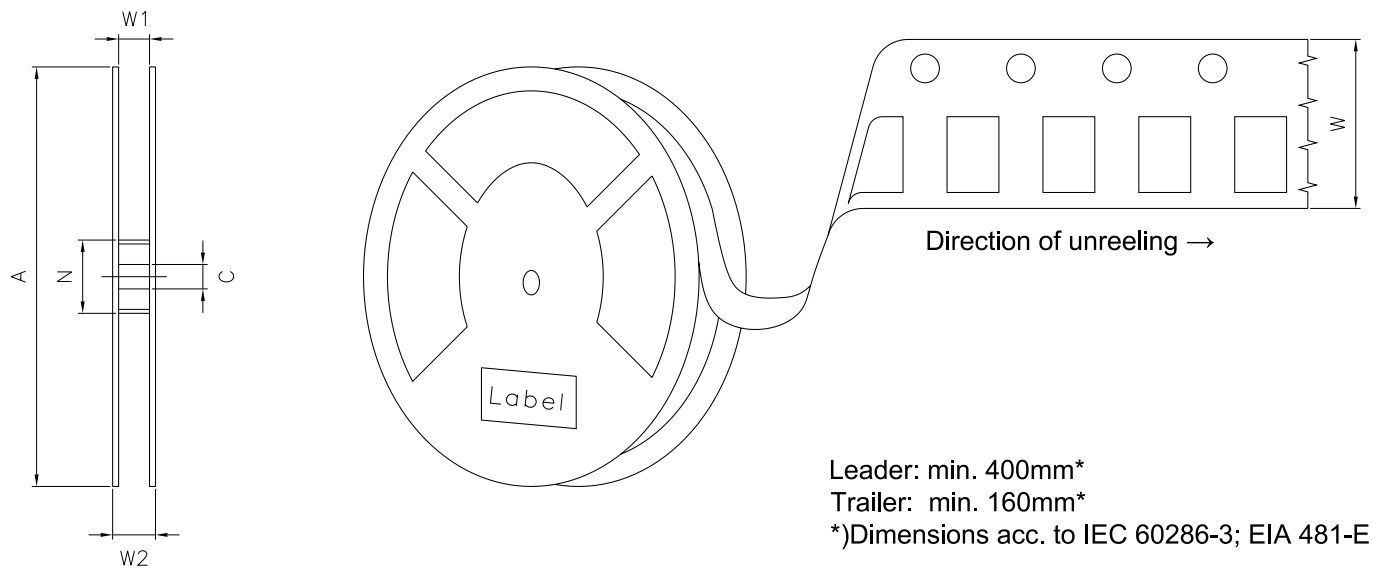
All temperatures refer to the center of the package, measured on the top of the component  
 \*) slope calculation  $DT/Dt$ :  $Dt$  max. 5 s; fulfillment for the whole T-range

**Taping** <sup>9)</sup>



C63062-A4068-B10-08

## Tape and Reel <sup>10)</sup>



### Reel Dimensions

| A      | W                   | $N_{\min}$ | $W_1$       | $W_{2\max}$ | Pieces per PU |
|--------|---------------------|------------|-------------|-------------|---------------|
| 180 mm | 12 + 0.3 / - 0.1 mm | 60 mm      | 12.4 + 2 mm | 18.4 mm     | 600           |
| 330 mm | 12 + 0.3 / - 0.1 mm | 60 mm      | 12.4 + 2 mm | 18.4 mm     | 3000          |

### Barcode-Product-Label (BPL)

**OSRAM Opto Semiconductors** LX XXXX BIN1: XX-XX-X-XXX-X

RoHS Compliant

(6P) BATCH NO: 1234567890

(1T) LOT NO: 1234567890 (9D) D/C: 1234

(X) PROD NO: 123456789(Q)QTY: 9999 (G) GROUP: XX-XX-X-X

ML Temp ST  
X XXX °C X

Pack: RXX  
DEMY XXX  
X\_X123\_1234.1234 X

The diagram shows a rectangular label with rounded corners. It contains the OSRAM logo and product name at the top left. To the right are fields for 'LX XXXX' and 'BIN1: XX-XX-X-XXX-X'. Below this is 'RoHS Compliant'. The main body of the label features three rows of information, each with a barcode: '(6P) BATCH NO: 1234567890', '(1T) LOT NO: 1234567890 (9D) D/C: 1234', and '(X) PROD NO: 123456789(Q)QTY: 9999 (G) GROUP: XX-XX-X-X'. To the right of the second row is a 'No Moisture' symbol (a circle with a diagonal line and three drops) and 'ML Temp ST X XXX °C X'. Below that is 'Pack: RXX', 'DEMY XXX', and 'X\_X123\_1234.1234 X'. A square QR code is located on the right side of the label.

OHA04563

### Dry Packing Process and Materials <sup>9)</sup>



OHA00539

Moisture-sensitive product is packed in a dry bag containing desiccant and a humidity card according JEDEC-STD-033.

---

## Notes

The evaluation of eye safety occurs according to the standard IEC 62471:2006 (photo biological safety of lamps and lamp systems). Within the risk grouping system of this IEC standard, the device specified in this data sheet fall into the class **exempt group (exposure time 10000 s)**. Under real circumstances (for exposure time, conditions of the eye pupils, observation distance), it is assumed that no endangerment to the eye exists from these devices. As a matter of principle, however, it should be mentioned that intense light sources have a high secondary exposure potential due to their blinding effect. When looking at bright light sources (e.g. headlights), temporary reduction in visual acuity and afterimages can occur, leading to irritation, annoyance, visual impairment, and even accidents, depending on the situation.

Subcomponents of this device contain, in addition to other substances, metal filled materials including silver. Metal filled materials can be affected by environments that contain traces of aggressive substances. Therefore, we recommend that customers minimize device exposure to aggressive substances during storage, production, and use. Devices that showed visible discoloration when tested using the described tests above did show no performance deviations within failure limits during the stated test duration. Respective failure limits are described in the IEC60810.

For further application related information please visit [www.osram-os.com/appnotes](http://www.osram-os.com/appnotes)

## Disclaimer

### **Attention please!**

The information describes the type of component and shall not be considered as assured characteristics. Terms of delivery and rights to change design reserved. Due to technical requirements components may contain dangerous substances.

For information on the types in question please contact our Sales Organization.

If printed or downloaded, please find the latest version on the OSRAM OS website.

### **Packing**

Please use the recycling operators known to you. We can also help you – get in touch with your nearest sales office. By agreement we will take packing material back, if it is sorted. You must bear the costs of transport. For packing material that is returned to us unsorted or which we are not obliged to accept, we shall have to invoice you for any costs incurred.

### **Product and functional safety devices/applications or medical devices/applications**

OSRAM OS components are not developed, constructed or tested for the application as safety relevant component or for the application in medical devices.

OSRAM OS products are not qualified at module and system level for such application.

In case buyer – or customer supplied by buyer – considers using OSRAM OS components in product safety devices/applications or medical devices/applications, buyer and/or customer has to inform the local sales partner of OSRAM OS immediately and OSRAM OS and buyer and /or customer will analyze and coordinate the customer-specific request between OSRAM OS and buyer and/or customer.

---

## Glossary

- 1) **Radiant intensity:** Measured at a solid angle of  $\Omega = 0.01$  sr
- 2) **Brightness:** The brightness values are measured with a tolerance of  $\pm 11\%$ .
- 3) **Reverse Operation:** This product is intended to be operated applying a forward current within the specified range. Applying any continuous reverse bias or forward bias below the voltage range of light emission shall be avoided because it may cause migration which can change the electro-optical characteristics or damage the LED.
- 4) **Forward Voltage:** The forward voltages are measured with a tolerance of  $\pm 0.1$  V.
- 5) **Total radiant flux:** Measured with integrating sphere.
- 6) **Thermal resistance:** junction - soldering point, of the device only, mounted on an ideal heatsink (e.g. metal block)
- 7) **Typical Values:** Due to the special conditions of the manufacturing processes of semiconductor devices, the typical data or calculated correlations of technical parameters can only reflect statistical figures. These do not necessarily correspond to the actual parameters of each single product, which could differ from the typical data and calculated correlations or the typical characteristic line. If requested, e.g. because of technical improvements, these typ. data will be changed without any further notice.
- 8) **Testing temperature:**  $T_A = 25^\circ\text{C}$  (unless otherwise specified)
- 9) **Tolerance of Measure:** Unless otherwise noted in drawing, tolerances are specified with  $\pm 0.1$  and dimensions are specified in mm.
- 10) **Tape and Reel:** All dimensions and tolerances are specified acc. IEC 60286-3 and specified in mm.

---

## Revision History

| Version | Date       | Change  |
|---------|------------|---|
| 1.5     | 2019-03-20 | Description<br>Ordering Information<br>Maximum Ratings<br>Characteristics<br>Electro - Optical Characteristics (Diagrams) |
| 1.6     | 2019-07-02 | Additional Information  |
| 1.7     | 2020-08-25 | Schematic Transportation Box<br>Dimensions of Transportation Box  |
| 1.8     | 2021-04-09 | Ordering Information<br>Reel Dimensions   |



Published by OSRAM Opto Semiconductors GmbH EU RoHS and China RoHS compliant product  
Leibnizstraße 4, D-93055 Regensburg  
www.osram-os.com © All Rights Reserved.



此产品符合欧盟 RoHS 指令的要求；  
按照中国的相关法规和标准，不含有毒有害物质或元素。