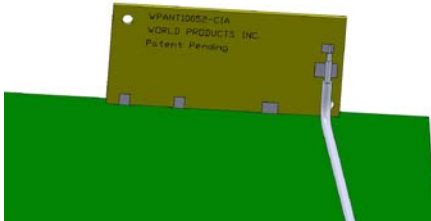


## WPANT10052

### Vertically Polarized Wi-Fi Embedded Antenna



WPANT10052-C1A

2.4" micro co-ax with IPX MHF

Note: 3D Drawing shown.

Note: Different cable and connector style requests can be accommodated.

### Application

This is a **Vertically Polarized** near-Omnidirectional Wi-Fi antenna solution for applications where board real estate is at premium. This vertically mounted antenna occupies very minimal space on the main circuit board.

We can assist your engineers to optimize mounting positions for these antennas in your specific application and can further assist to trouble shoot system integration issues such as TRP/TIS and FCC requirements. We specialize in developing customized Antenna solutions. Please contact [sales@worldproducts.com](mailto:sales@worldproducts.com) with your specific application requirements.

### Electrical Properties

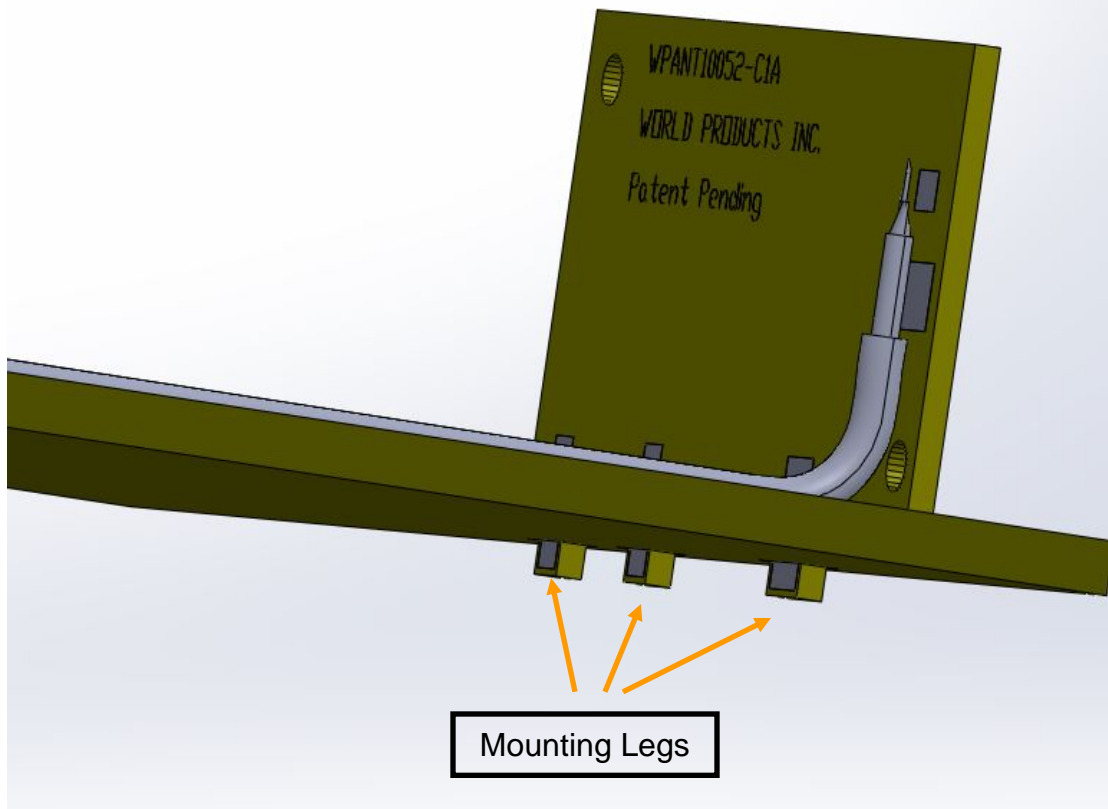
<b>Operating Frequency</b>	2.4 – 2.5 GHz
<b>Approximate Antenna Impedance [<math>\Omega</math>]</b>	50 $\Omega$
<b>VSWR (Typical)*</b>	< 2:1
<b>Peak Gain [dBi] (Typical)*</b>	3.5 dBi
<b>Efficiency [%] (Typical)*</b>	75 %
<b>Polarization</b>	Linear (Vertical)
<b>Pattern</b>	Near Omni-directional

**\*Note:** These performance metrics were recorded with the Antenna installed on WPI test Evaluation Board. These Evaluation boards mimic the customer's circuit board in general. The Antenna has enough bandwidth to accommodate for minor tuning issues when installed on the client's actual circuit boards. In case of discrepancy, WPI engineers will assist the clients in designing proper matching circuit.

### Mechanical / Environmental Properties

<b>Antenna Dimensions</b>	1.22" x 0.55" x 0.031" (31mm x 14mm x 0.79mm )
<b>Antenna Color</b>	Black
<b>Operating / Storage Temperature</b>	-40°C to +125°C
<b>Environmental</b>	Meets standards for UL 94V-0
<b>Hazardous Materials</b>	RoHS Compliant

Pictures (3D Drawings)



**Note:** There is no need for any additional Cables or Connectors. This eliminates the possibility of additional overhead for the Clients. Antenna is soldered directly in place on the Eval board.

Antenna Placement on a Circuit Board (62 mils thick FR4 WPI Evaluation Board)

