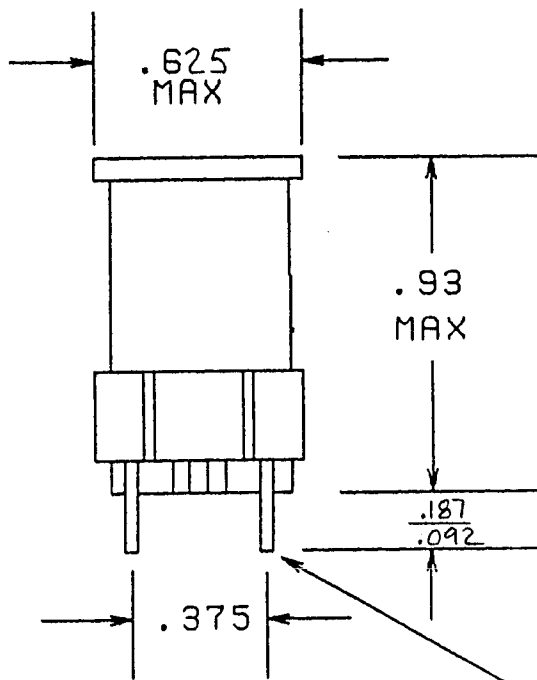
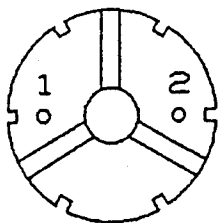


TOLERANCE UNLESS SPECIFIED = .XXX = +/- .005 .XX = +/- .015 FRACTIONS = +/- .032

PRODUCTION TESTS



.032" DIAMETER ROUND PINS
 PINS TO BE FREE OF DEFECTS /
 SOLDER JOINTS UP TO THE MOUNTING
 SURFACE MIN.



Turns Ratio = 100%

DC RESISTANCE IN OHMS = .059 TO .08

APPLY = 1V, 20KHZ, 0 ADC

INDUCTANCE = 67 TO 82 uHY

HIPOT = NONE REQUIRED

IMPREGNATION NOTES = NO PREHEAT
 NO IMPREGNATION REQUIRED

FINAL ASSEMBLY NOTES

MagneTek

METHOD

MARKING ON

OUR PART #, DATECODE, SITECODE
 LABEL ON COIL

TYPE

PART NO. RC-11