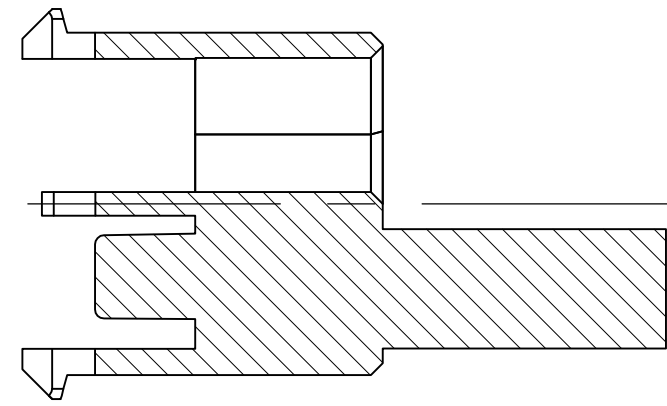
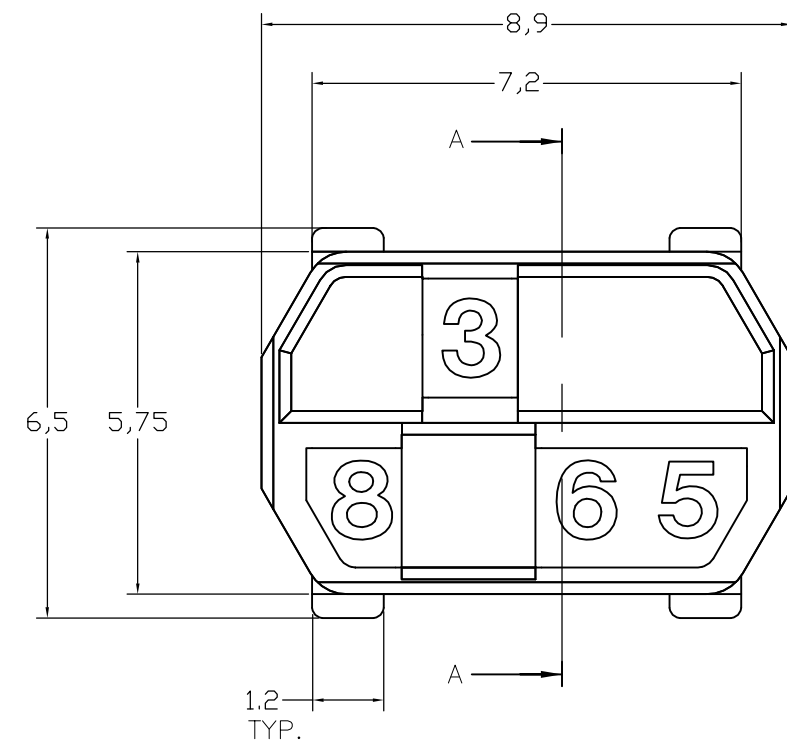
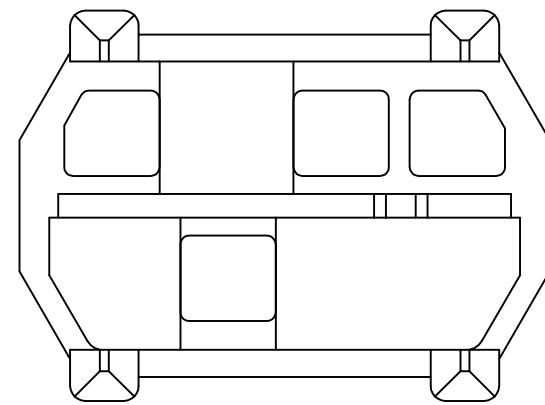
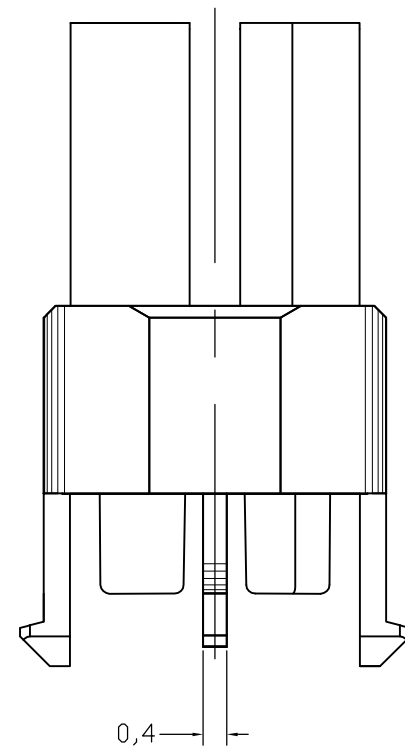
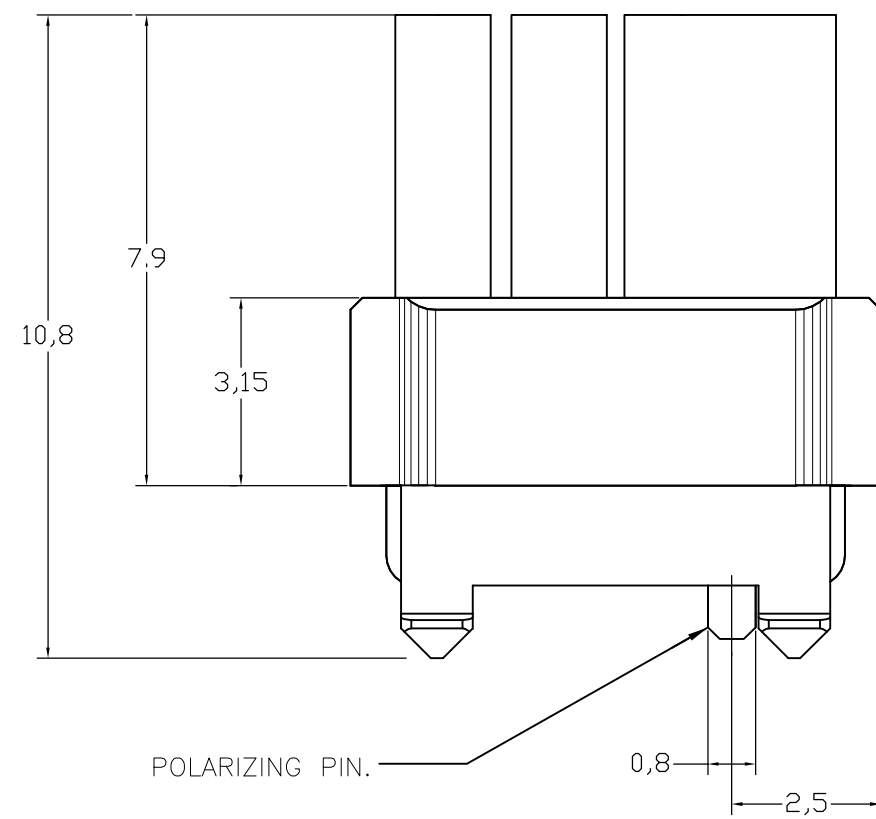


LOC	DIST	REVISIONS			
P	LTR	DESCRIPTION	DATE	DWN	APVD
	D2	SHEET 2 DRAFTING ERROR CORRECTION	10NOV2011	A.S	M.W



SECTION A-A  
 =====



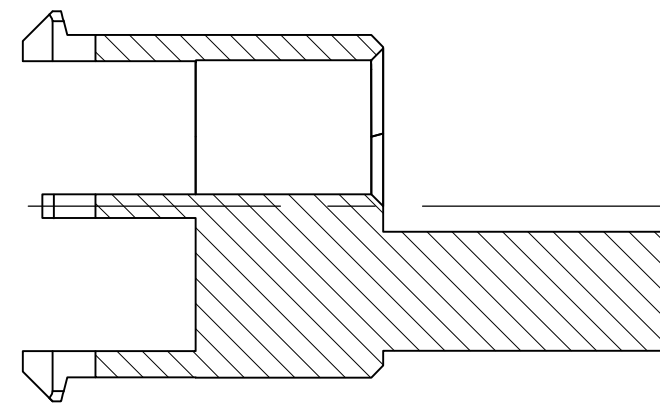
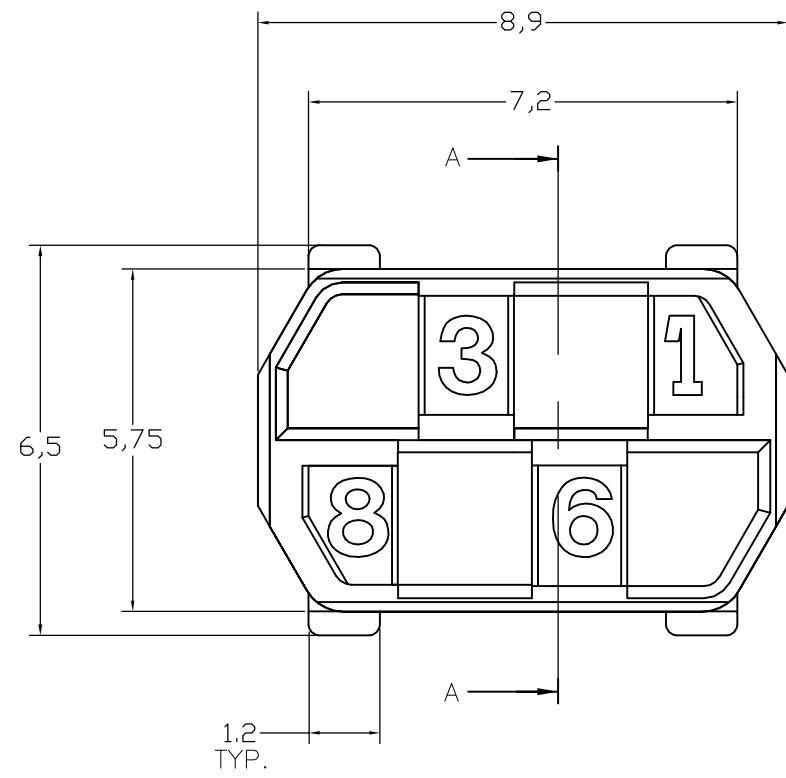
NOTES:

- 1 DRAWING SHOWS CODING KEY 6-100525-3 WITH CODE NUMBER 3568 AS AN EXAMPLE. REINFORCED CODING KEYS ARE DESIGNED FOR THE 8 ROW CONNECTOR SYSTEM, BUT FIT THE 5 ROW CONNECTOR SYSTEM AS WELL.
- 2 DRAWING SHOWS CODING KEY 2-100525-4 WITH CODE NUMBER 1368 AS AN EXAMPLE.
- 3 MATERIAL: GLASSFILLED POLYAMIDE 6.6.; COLOUR: SEE TABLE.
- 4 EACH CODING KEY HAS FOUR BLOCKING PINS AND FOUR CAVITIES. THE NUMBERS ON TOP OF THE BLOCKING PINS FORM THE FOUR-FIGURE IDENTIFICATION NUMBER (ASCENDING).
- 5 PARTNUMBER MATCHING FEMALE CODING KEY, FOR REFERENCE ONLY.
- 6 1 INSERTION TOOL INCLUDED PER 500 CODING KEYS.

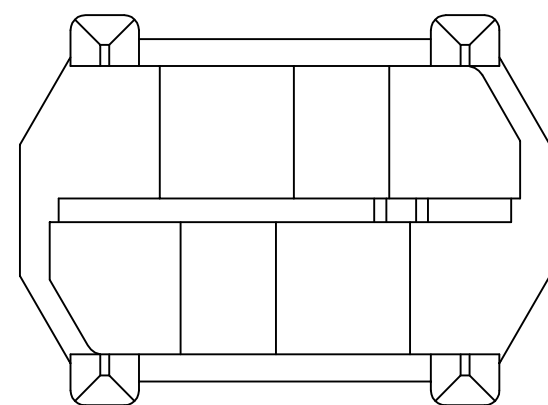
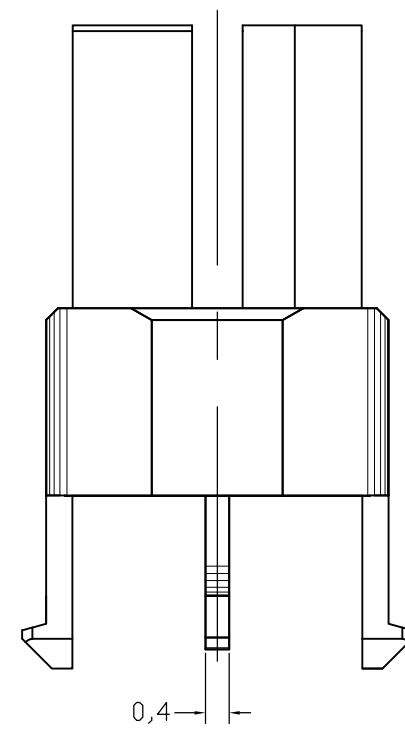
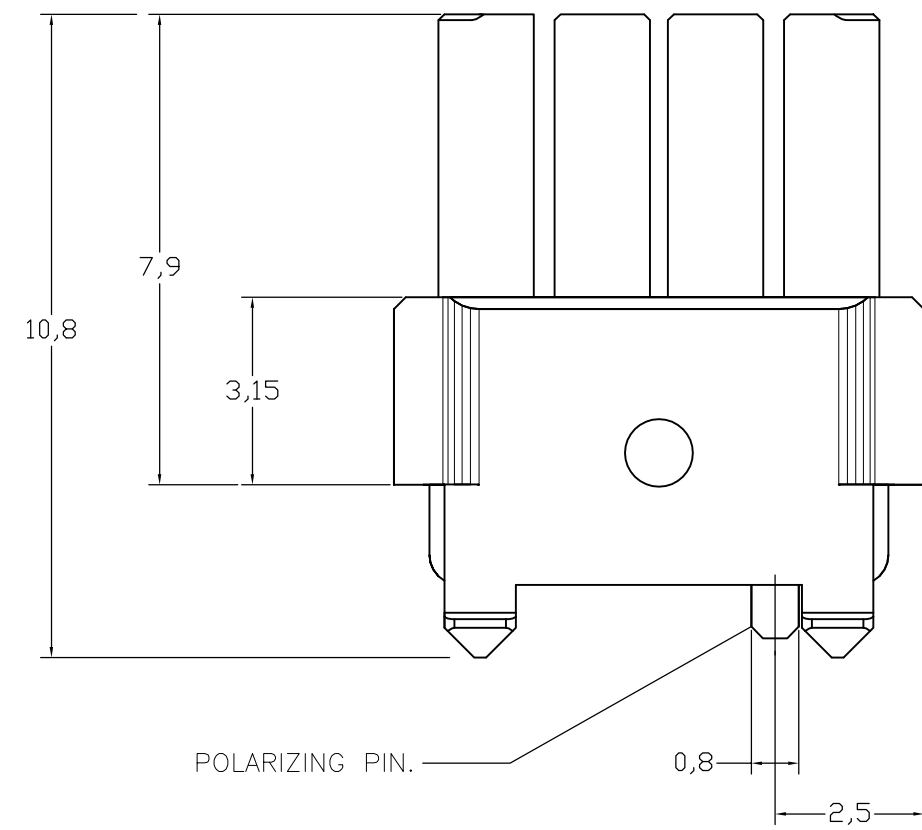
6-100526-3	PASTEL ORANGE	2003	3568	1	6-100525-3
6-100526-1	STEEL BLUE	5011	3478		6-100525-1
5-100526-9	SLATE GREY	7015	3467		5-100525-9
5-100526-6	CADMIUM YELLOW	1021	3456		5-100525-6
5-100526-4	RESADA GREEN	6011	2578		5-100525-4
3-100526-2	BRILLIANT BLUE	5007	1567		3-100525-2
100526-9	STRAWBERRY RED	3018	1248		100525-9
100526-3	NUT BROWN	8011	1236		100525-3
FEMALE KEY	COLOUR	RAL NR.	ID. NUMBER	PARTNUMBER	

THIS DRAWING IS A CONTROLLED DOCUMENT.		DWN D. TRUREN 03-FEB-98	TE Connectivity	
DIMENSIONS: mm		CHK D. TRUREN 03-FEB-98		
		APVD F.v. KONINGSBRUGGE PRODUCT SPEC		NAME Z-PACK 2mm HM MALE CODING KEY
TOLERANCES UNLESS OTHERWISE SPECIFIED: 0 PLC ± 0.3 1 PLC ± 0.3 2 PLC ± 0.3 3 PLC ± 0.3 4 PLC ± 0.3 ANGLES ± °		APPLICATION SPEC		RESTRICTED TO
MATERIAL		WEIGHT		SIZE A2
FINISH		CUSTOMER DRAWING		CAGE CODE 00779
		SCALE 1:1		DRAWING NO 100525
		SHEET 1 of 2		REV D2

LOC		DIST		REVISIONS				
P	LTR	DESCRIPTION			DATE	DWN	APVD	
-	-	SEE SHEET 1			-	-	-	



SECTION A-A  
 =====



PLC	COLOUR	RAL NR.	ID. NUMBER	PARTNUMBER
-	-	-	-	-
6-100526-9	OCHER YELLOW	1024	4678	6-100525-9
6-100526-4	RASPBERRY RED	3027	3578	6-100525-4
5-100526-3	OCEAN BLUE	5020	2568	5-100525-3
5-100526-2	EMERALD GREEN	6001	2567	5-100525-2
4-100526-9	YELLOW ORANGE	2000	2467	4-100525-9
4-100526-8	HEATHER VIOLET	4003	2458	4-100525-8
4-100526-4	COPPER BROWN	8004	2368	4-100525-4
4-100526-3	STONE GREY	7030	2367	4-100525-3
3-100526-7	PURPLE RED	3004	2346	3-100525-7
3-100526-5	SALMON PINK	3022	1678	3-100525-5
3-100526-4	RED LILAC	4001	1578	3-100525-4
2-100526-7	LIGHT IVORY	1015	1457	2-100525-7
2-100526-6	PASTEL GREEN	6019	1456	2-100525-6
2-100526-4	YELLOW GREEN	6018	1368 <sup>2</sup>	2-100525-4
2-100526-0	BLUE LILAC	4005	1356	2-100525-0
1-100526-8	PIGEON BLUE	5014	1347	1-100525-8
1-100526-4	OLIVE YELLOW	1020	1268	1-100525-4
1-100526-3	CEMENT GREY	7033	1267	1-100525-3
1-100526-2	LIGHT GREEN	6027	1258	1-100525-2
100526-8	PURE ORANGE	2004	1247	100525-8
100526-5	ULTRAMARINE BLUE	5002	1238	100525-5
100526-2	GREEN BROWN	8000	1235	100525-2
FEMALE KEY <sup>5</sup>	COLOUR <sup>3</sup>	RAL NR. <sup>3</sup>	ID. NUMBER <sup>4</sup>	PARTNUMBER

THIS DRAWING IS A CONTROLLED DOCUMENT.		DWN D. TRUREN 03-FEB-98	TE Connectivity	
DIMENSIONS: mm		CHK D. TRUREN 03-FEB-98		
TOLERANCES UNLESS OTHERWISE SPECIFIED:		APVD F.v. KONINGSBRUGGE	NAME Z-PACK 2mm HM MALE CODING KEY	
0 PLC ± 0.3 1 PLC ± 0.3 2 PLC ± 0.3 3 PLC ± 0.3 4 PLC ± 0.3 ANGLES ± -		PRODUCT SPEC -	APPLICATION SPEC -	
MATERIAL -		FINISH -	WEIGHT -	RESTRICTED TO -
CUSTOMER DRAWING		SCALE 1:1	SIZE A2	CAGE CODE 00779
		DRAWING NO. C=100525	DRAWING NO. SHEET 2 of 2	
		SCALE 1:1	REV D2	