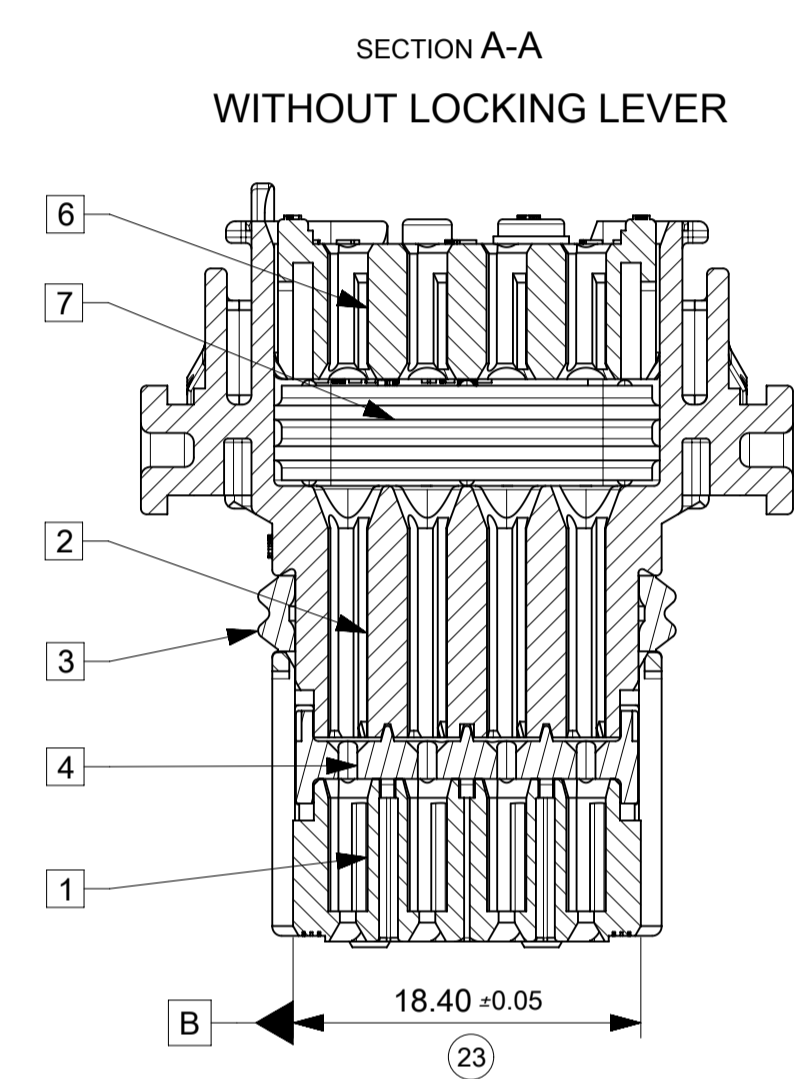
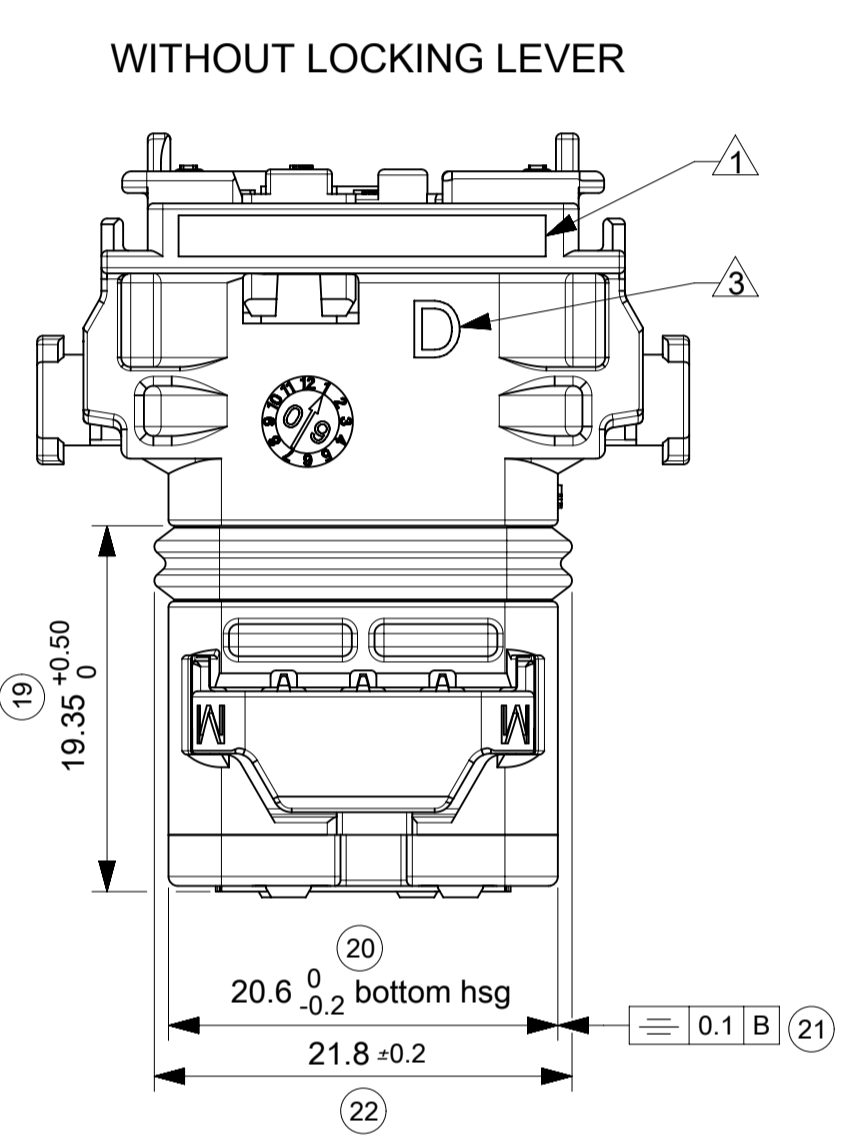
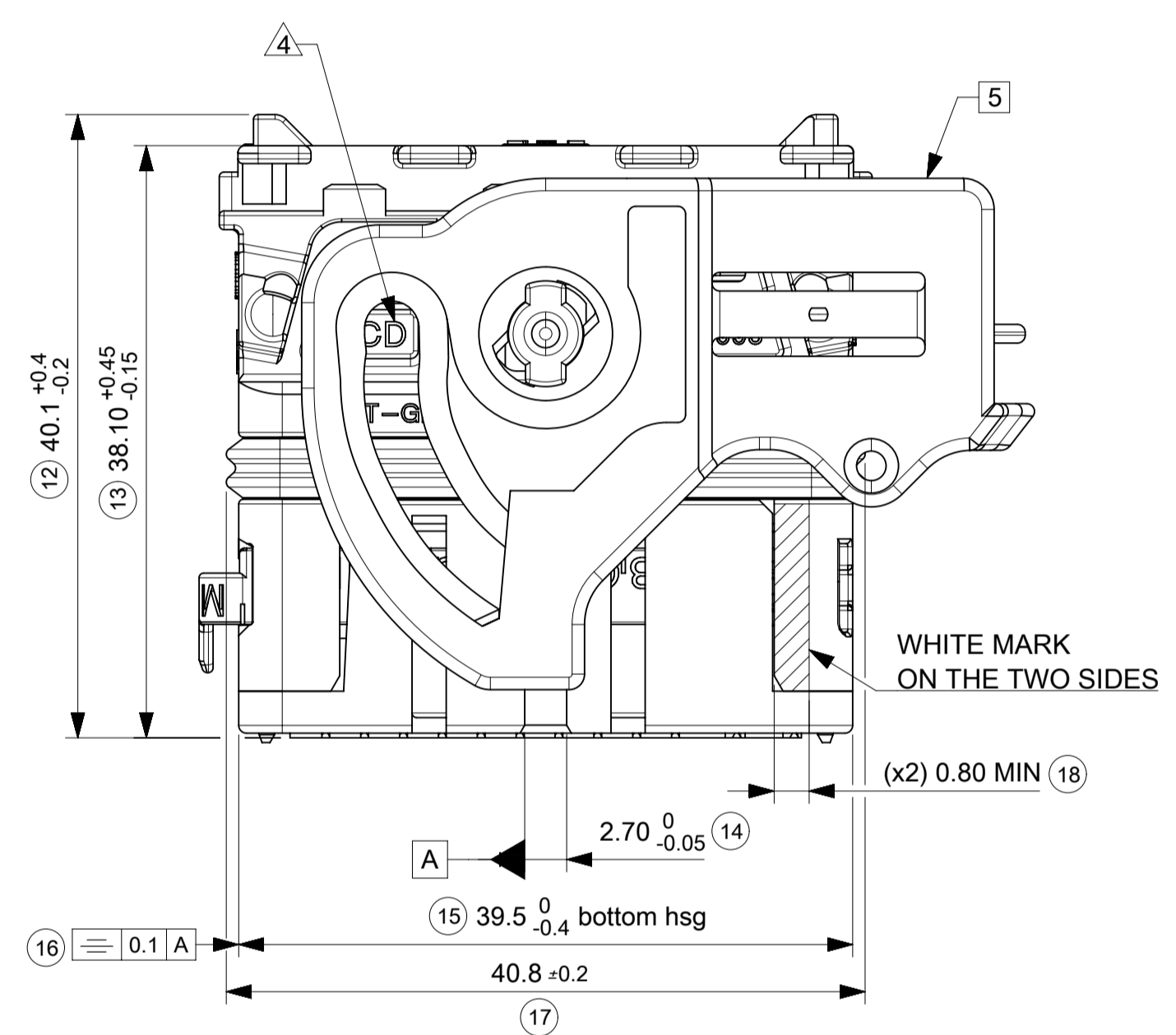
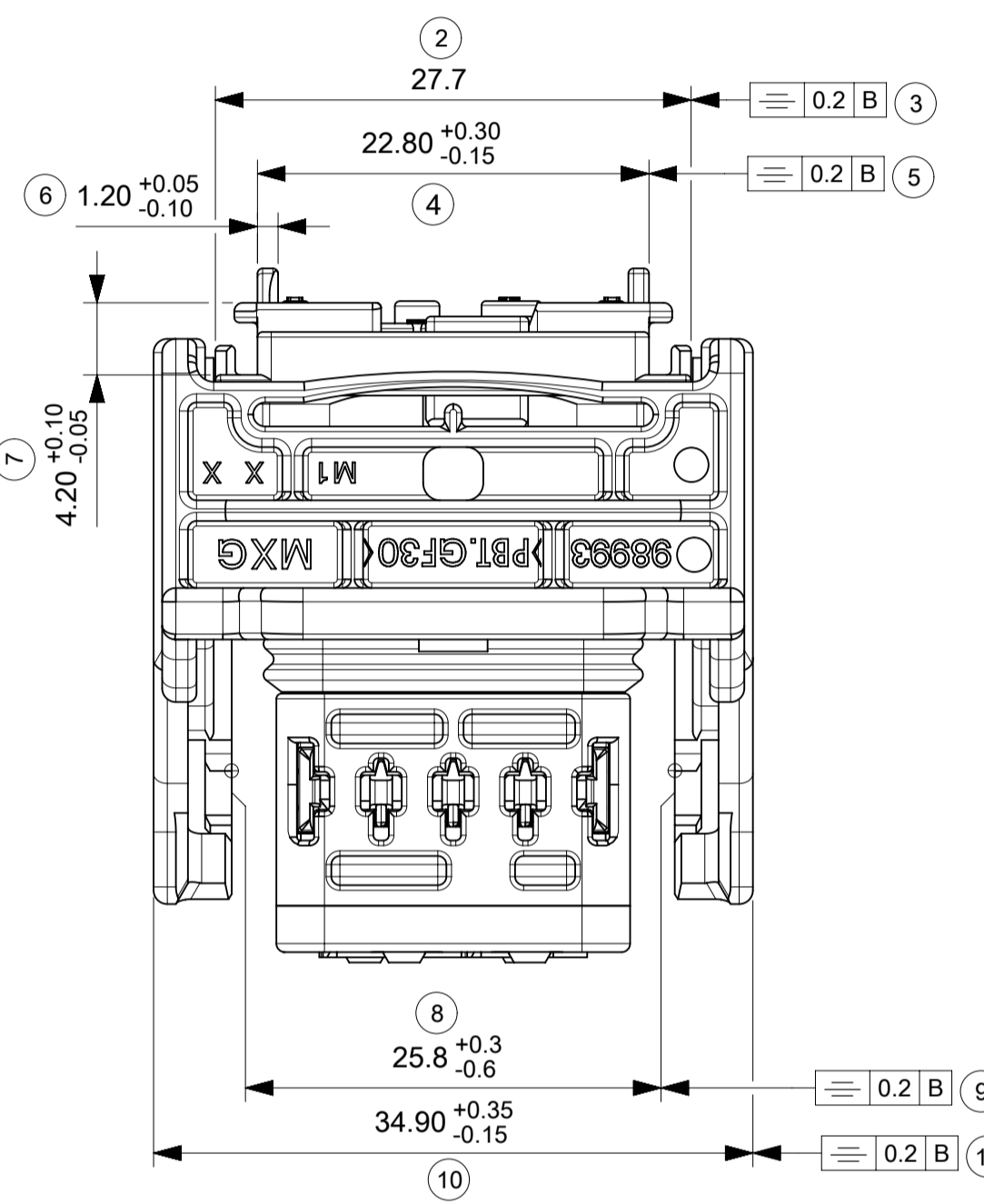
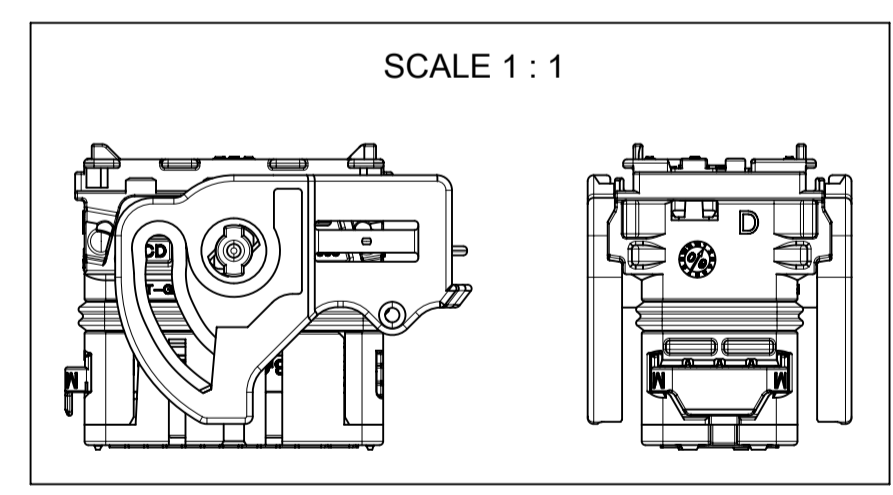
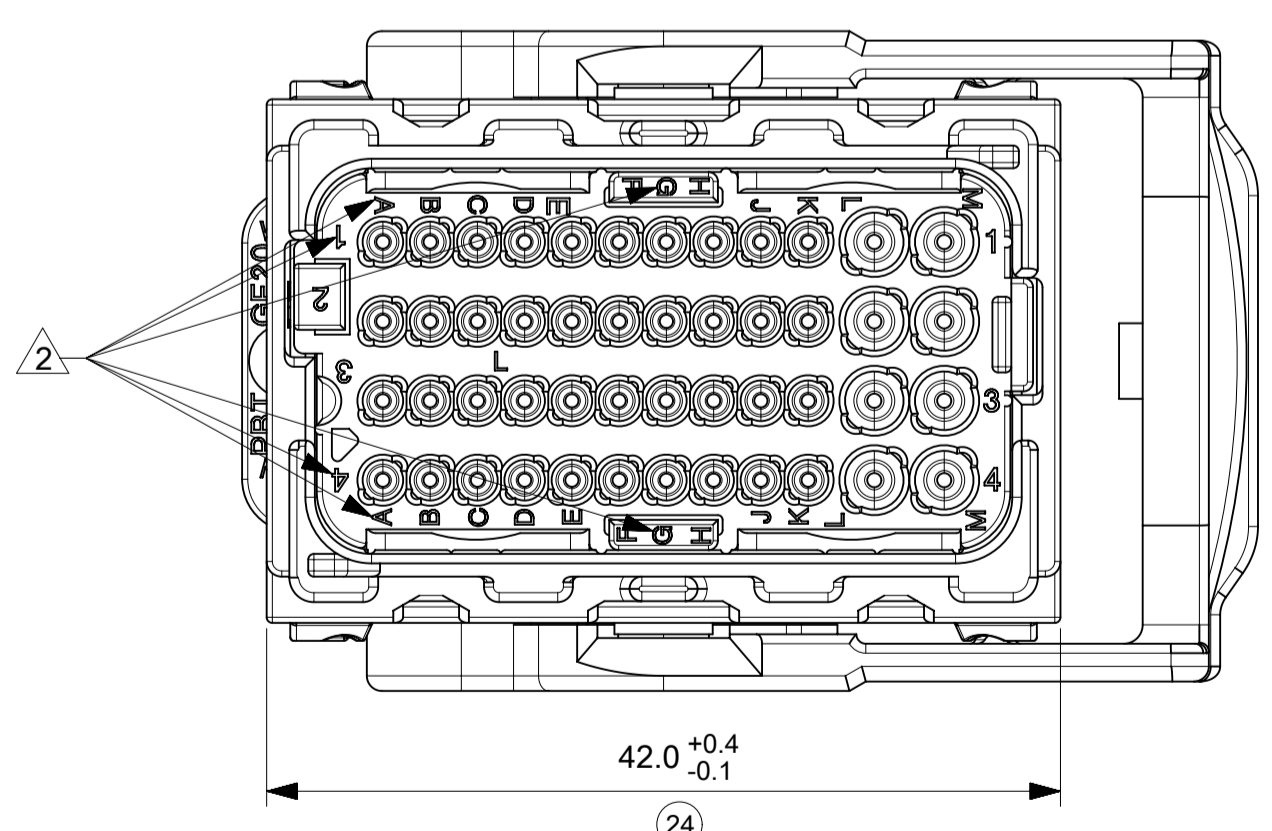


LEFT WIRE OUTPUT	
MATERIAL NUMBER	COLOR
0643201311	BLACK
0643201318	GREY
0643201319	BROWN
0643201315	GREEN



RIGHT WIRE OUTPUT	
MATERIAL NUMBER	COLOR
0643203311	BLACK
0643203318	GREY
0643203319	BROWN
0643203315	GREEN



- NOTES:
- FOR ILLUSTRATION PURPOSE THE FEMALE HOUSING SHOWN IS THE RIGHT WIRE OUTPUT VERSION CODING 1
 - APPLICATION SPECIFICATION: AS-64319-002
 - WIRES EXTERNAL DIAMETER USED:
FOR CP0.6 TERMINAL: USE WIRES WITH AN EXTERNAL DIAMETER BETWEEN Ø1.25MM MIN AND Ø1.90MM MAX
FOR CP1.5 TERMINAL: USE WIRES WITH AN EXTERNAL DIAMETER BETWEEN Ø1.40MM MIN AND Ø2.80MM MAX
 - THE CONNECTOR FITS WITH WIRE CAP (48 WAY) MOLEX P/N 0643201301
 - BLIND PLUG FOR 0.6 AND 1.5 CAVITIES (MOLEX P/N 0643251010 AND 0643251023) MUST BE USED ON THIS PART
 - DELIVERED PRODUCT WEIGHT: 35.7 g

7	MAT SEAL	Silicon	RED
6	BACK GRID 48W	>PBT-GF20<	GREY
5	LOCKING LEVER 48W	>PBT-GF30<	BLACK
4	SECONDARY LOCK	>PBT-GF20<	GREY
3	PERIPHERAL SEAL 48W	Silicon	RED
2	BACK PART	>PBT-GF20<	BLACK
1	FRONT PART	>PBT-GF20<	COLOR LINKED TO KEYING
REF.	DESIGNATION	MATERIAL	COLOR

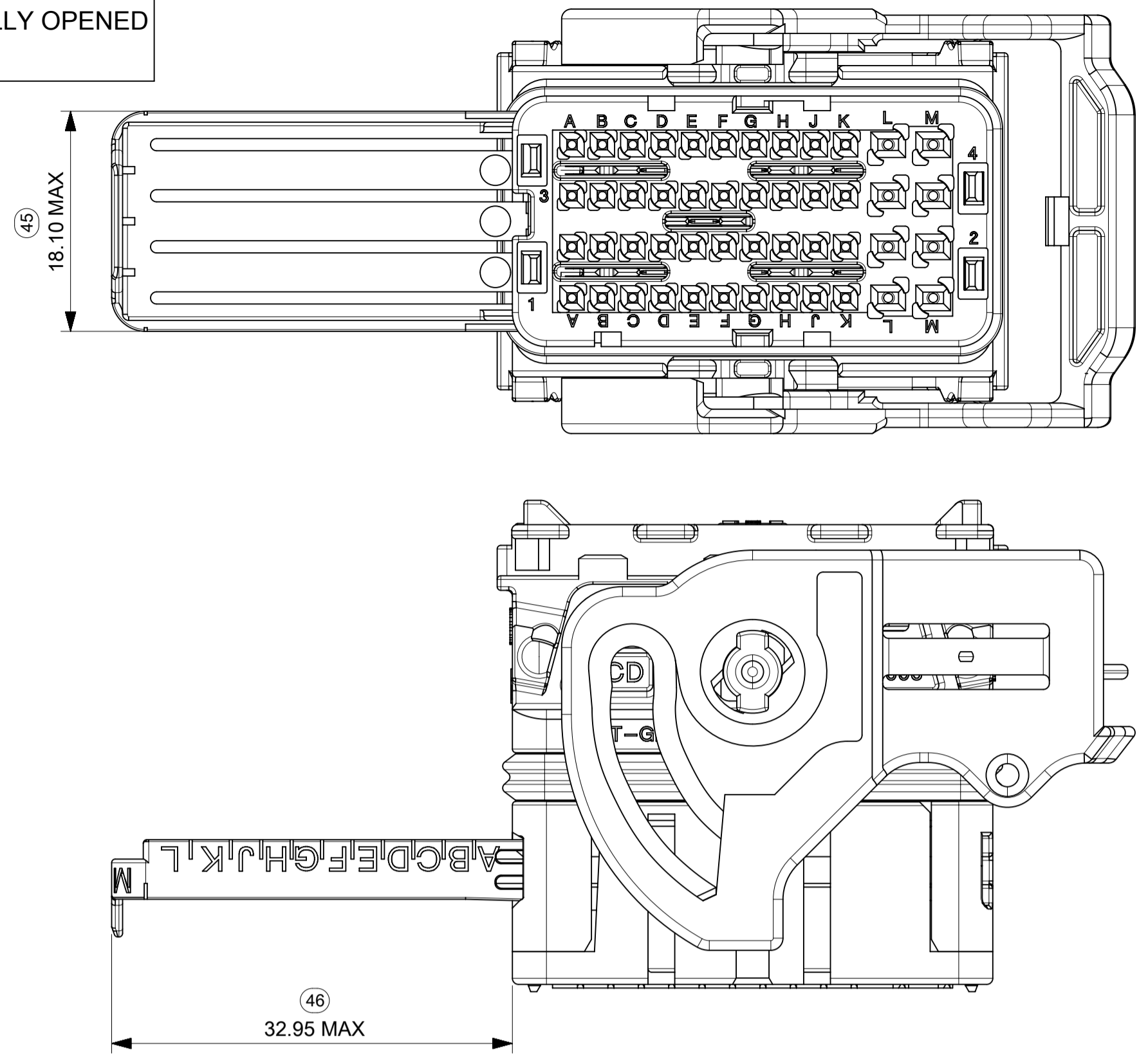
MARKINGS:

- Assembled part tracability: Year + Day
- Terminal cavities identification
- Lever position indicator: "D" LETTER VISIBLE = "RIGHT WIRE OUTPUT" "G" LETTER VISIBLE = "LEFT WIRE OUTPUT"
- Supplier identification
- Material identification

THIS DRAWING CONTAINS INFORMATION THAT IS PROPRIETARY TO MOLEX ELECTRONIC TECHNOLOGIES, LLC AND SHOULD NOT BE USED WITHOUT WRITTEN PERMISSION		CURRENT REV DESC: NX RE-MASTERING			
DIMENSION UNITS	SCALE	EC NO: 627963			
mm	2.5:1	DRWN: PBOSQUAIN 2019/09/17		CMC CONNECTOR 48 WAY MAT SEAL VERSION	
GENERAL TOLERANCES (UNLESS SPECIFIED)		CHK'D: CBOUCHAN 2020/01/22		PRODUCT CUSTOMER DRAWING	
ANGULAR TOL	± 2.0°	APPR: SLAFAURE 2020/01/23		DOCUMENT NUMBER	
4 PLACES	±	INITIAL REVISION:		SD-64320-001	
3 PLACES	±	DRWN: TBADAROUX 2008/05/07		DOC TYPE DOC PART REVISION	
2 PLACES	± 0.1	APPR: cbouchan 2008/05/16		PSD 001 H2	
1 PLACE	± 0.1	DRAFT WHERE APPLICABLE MUST REMAIN WITHIN DIMENSIONS		MATERIAL NUMBER	
0 PLACES	±	FIRST ANGLE PROJECTION		CUSTOMER	
DRAWING		SERIES		SHEET NUMBER	
A1-SIZE		64320		1 OF 2	
SEE TABLE		GENERAL MARKET			

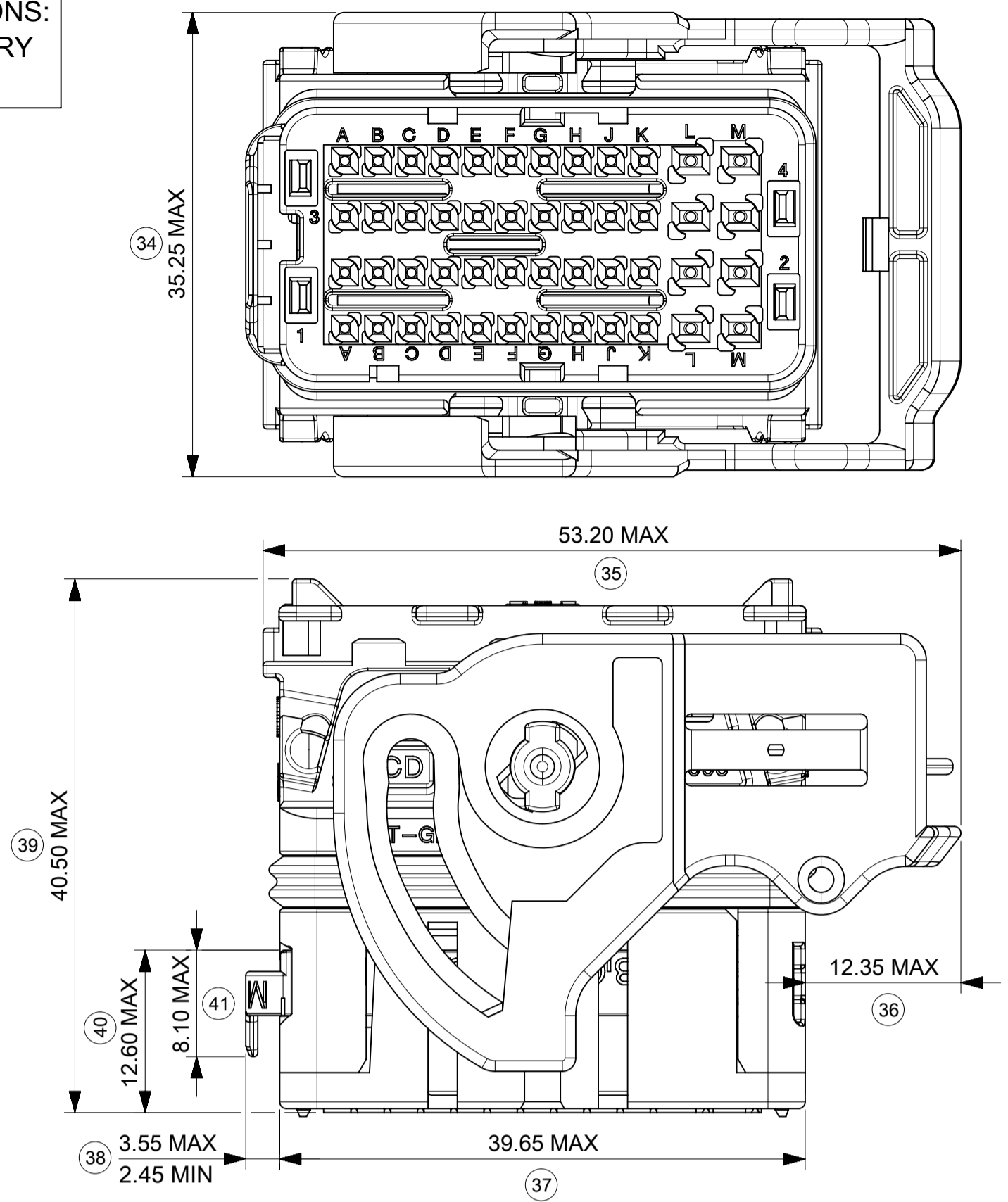
CONNECTOR OVERALL DIMENSIONS:
SECONDARY LOCKING FULLY OPENED
FOR TERMINAL INSERTION

RIGHT WIRE OUTPUT

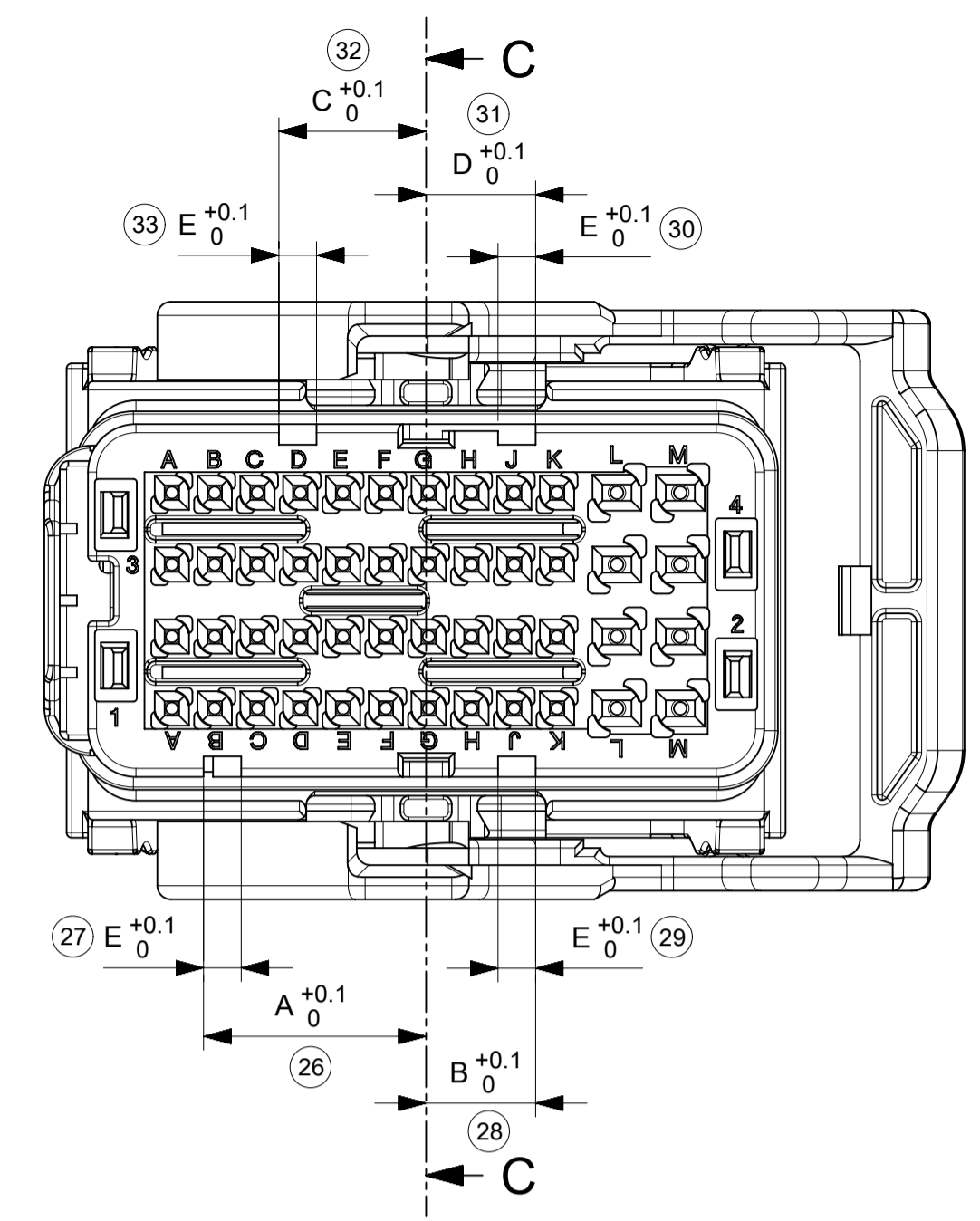


CONNECTOR OVERALL DIMENSIONS:
SECONDARY LOCKING IN DELIVERY
POSITION

RIGHT WIRE OUTPUT

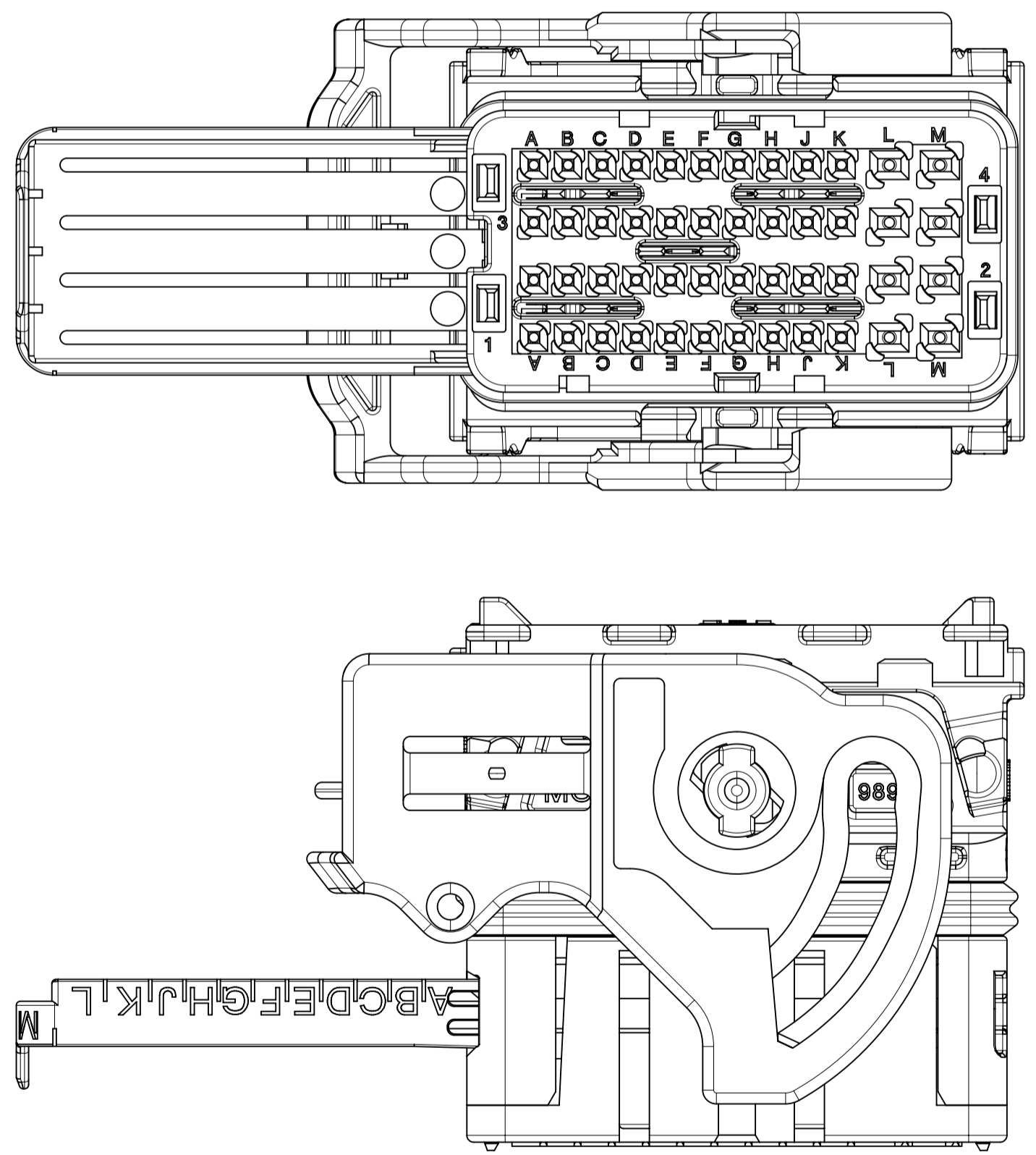


CODING POSITION



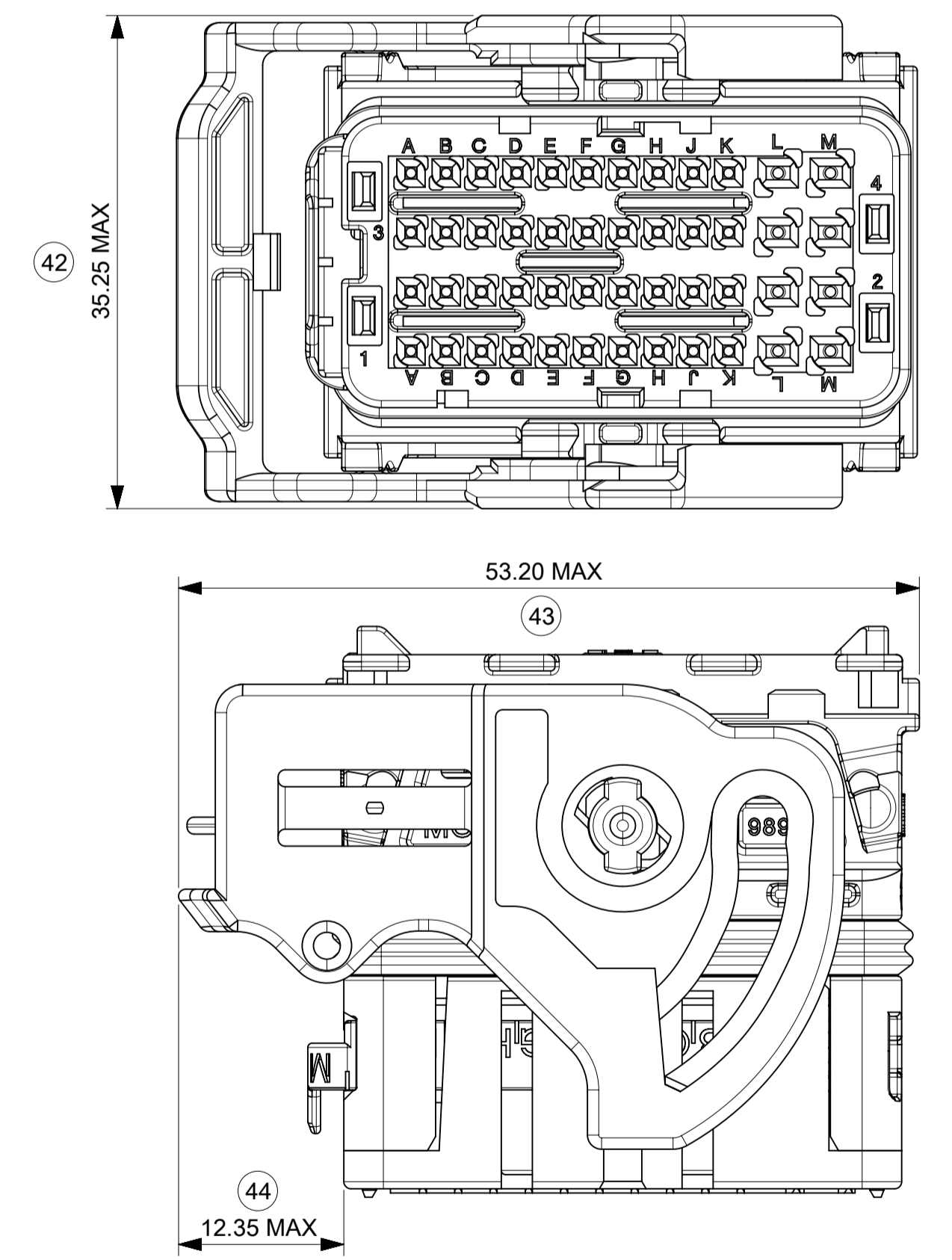
CONNECTOR OVERALL DIMENSIONS:
SECONDARY LOCKING FULLY OPENED
FOR TERMINAL INSERTION

LEFT WIRE OUTPUT

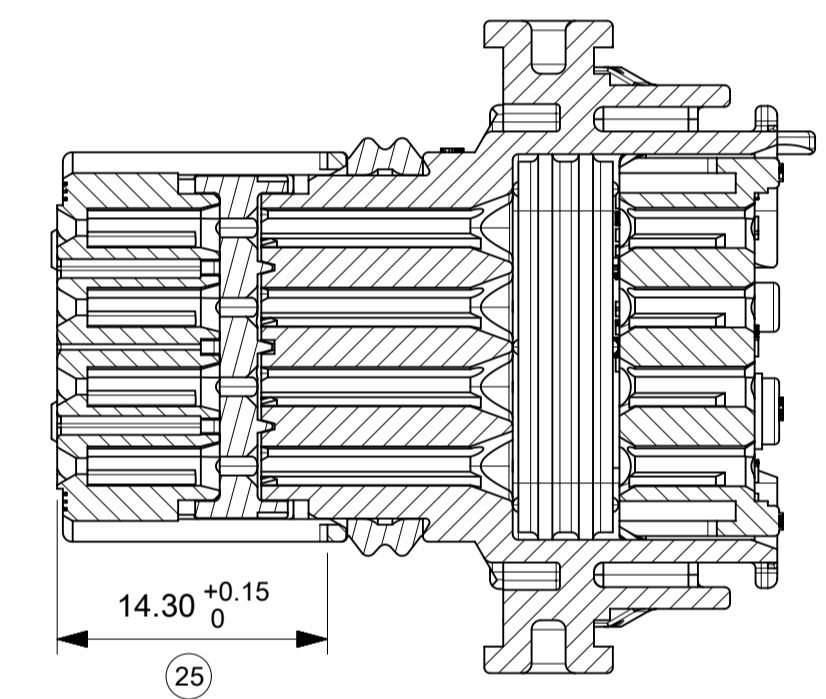


CONNECTOR OVERALL DIMENSIONS:
SECONDARY LOCKING IN DELIVERY
POSITION

LEFT WIRE OUTPUT



SECTION C-C
WITHOUT LOCKING LEVER



COLOR	CODING	A	B	C	D	E
BLACK	1	13	6.4	8.6	6.4	2.2
GREY	2	10.8	8.6	13	8.6	2.2
BROWN	3	8.6	10.8	13	13	2.2
GREEN	4	10.8	13	6.4	6.4	2.2

TERMINALS USED				
CAVITY N°	FEMALE TERMINALS (Section mm2)	PLATING	MOLEX P/N	min / MAX WIRE INSULATION DIAMETER (mm)
A1 to A4 B1 to B4 C1 to C4 D1 to D4 E1 to E4 F1 to F4 G1 to G4 H1 to H4 J1 to J4 K1 to K4	CP 0.6 0.35mm2	Tin plated	0643221019	∅1.25 min / ∅1.40 Max
		Gold plated	0643221229	
	CP 0.6 0.5mm2	Tin plated	0643221039	∅1.40 min / ∅1.70 Max
		Gold plated	0643221239	
L1 to L4 M1 to M4	CP 0.6 0.75mm2	Tin plated	0643221029	∅1.60 min / ∅1.90 Max
		Gold plated	0643221219	
	CP 1.5 0.5mm2 to 1mm2	Tin plated	0643231029	∅1.40 min / ∅2.15 Max
		Gold plated	0643231319	
CP 1.5 >1mm2 to 2mm2	Tin plated	0643231039	∅2.10 min / ∅2.80 Max	
	Gold plated	0643231219		

THIS DRAWING CONTAINS INFORMATION THAT IS PROPRIETARY TO MOLEX ELECTRONIC TECHNOLOGIES, LLC AND SHOULD NOT BE USED WITHOUT WRITTEN PERMISSION

DIMENSION UNITS: mm SCALE: 2.5:1

GENERAL TOLERANCES (UNLESS SPECIFIED):
ANGULAR TOL: ± 2.0°
4 PLACES: ±
3 PLACES: ±
2 PLACES: ± 0.1
1 PLACE: ± 0.1
0 PLACES: ±

DRAFT WHERE APPLICABLE MUST REMAIN WITHIN DIMENSIONS

FIRST ANGLE PROJECTION

DRAWING: A1-SIZE SERIES: 64320

CURRENT REV DESC: NX RE-MASTERING

EC NO: 627963
DRWN: PBOSQUAIN 2019/09/17
CHK'D: CBOUCHAN 2020/01/22
APPR: SLAFAURE 2020/01/23

INITIAL REVISION:
DRWN: TBADAROUX 2008/05/07
APPR: cbouchan 2008/05/16

PRODUCT CUSTOMER DRAWING

DOCUMENT NUMBER: SD-64320-001 DOC TYPE: PSD DOC PART: 001 REVISION: H2

MATERIAL NUMBER: SEE TABLE CUSTOMER: GENERAL MARKET SHEET NUMBER: 2 OF 2