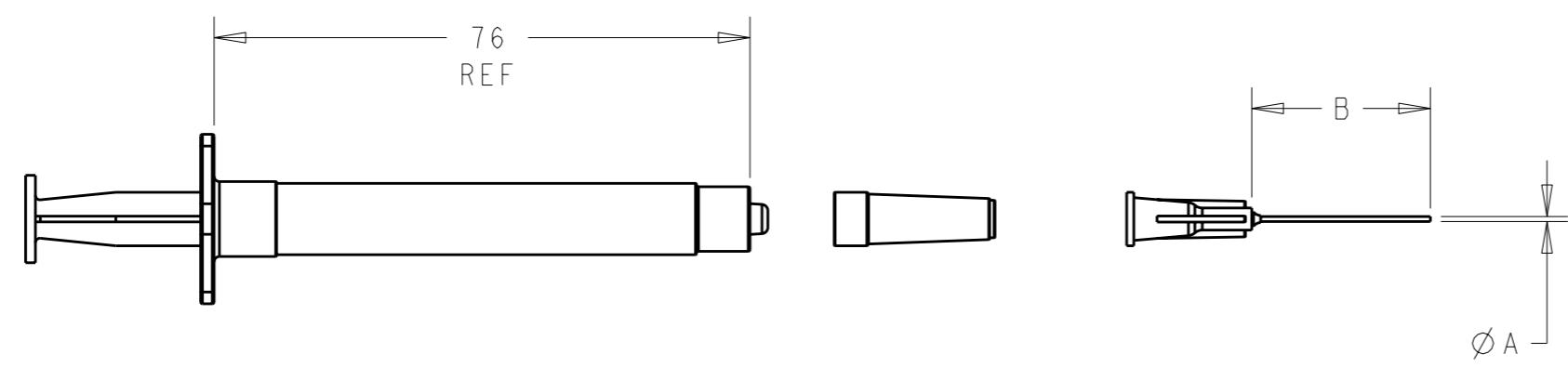
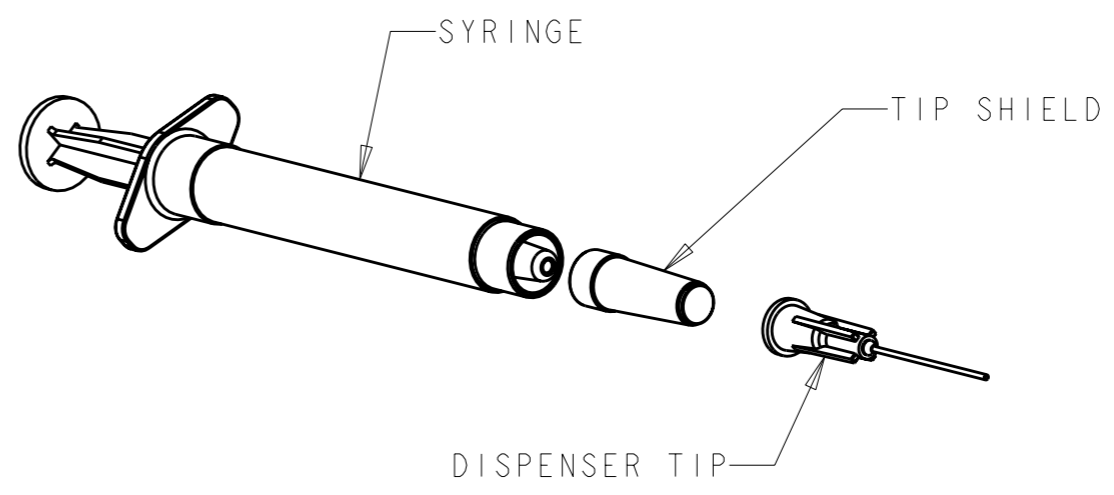


THIS DRAWING IS UNPUBLISHED. RELEASED FOR PUBLICATION 20
 © COPYRIGHT 20 BY TYCO ELECTRONICS CORPORATION. ALL RIGHTS RESERVED.

| LOC | DIST | REVISIONS | | | |
|-----|------|-------------|--------------------------|-----------|-------|
| P | LTR | DESCRIPTION | DATE | DWN | APVD |
| CE | 00 | G | REVISE PER ECR-06-026109 | 14NOV2006 | BB DK |
| | | H | REVISE PER ECR-07-029335 | 20DEC2007 | BB DK |
| | | | | | |

I. TIP MAY NOT APPEAR EXACTLY AS SHOWN.



| | | | |
|------------------------|----------|----------|-------------|
| OBSOLETE | 38.1 REF | 1.27 REF | 501473-5 |
| | 13 REF | 1.27 REF | 501473-4 |
| | 25.4 REF | 0.89 REF | 501473-3 |
| SUPERSEDED BY 501473-3 | - | - | 501473-2 |
| SUPERSEDED BY 501473-3 | - | - | 501473-1 |
| | B | ØA | PART NUMBER |

| | | | | | |
|---|--|--|--|---|---|
| <small>THIS DRAWING IS A CONTROLLED DOCUMENT FOR TYCO ELECTRONICS CORPORATION IT IS SUBJECT TO CHANGE AND THE CONTROLLING ENGINEERING ORGANIZATION SHOULD BE CONTACTED FOR THE LATEST REVISION.</small> | | DWN T. ALEXANDER 24JUL2000 CHK S. MILLER 24JUL2000 APVD S. BUCHTER 15AUG2000 | | Tyco Electronics Harrisburg, PA 17105-3608 | |
| DIMENSIONS: mm | | TOLERANCES UNLESS OTHERWISE SPECIFIED: 0 PLC ±- 1 PLC ±1.3 2 PLC ±0.13 3 PLC ±- 4 PLC ±- ANGLES ±- | | NAME EPOXY APPLICATOR KIT PRODUCT SPEC - APPLICATION SPEC - WEIGHT - | |
| MATERIAL - FINISH - | | CUSTOMER DRAWING | | SIZE A3 CAGE CODE 00779 DRAWING NO C-501473 | RESTRICTED TO - SCALE 2:1 SHEET 1 OF 1 REV H |