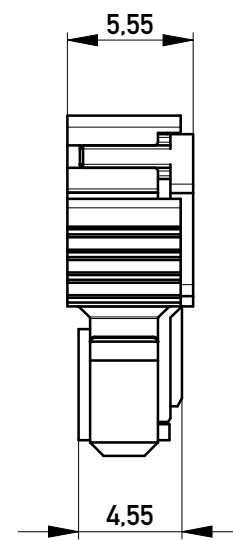
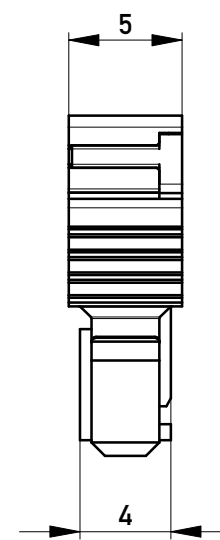


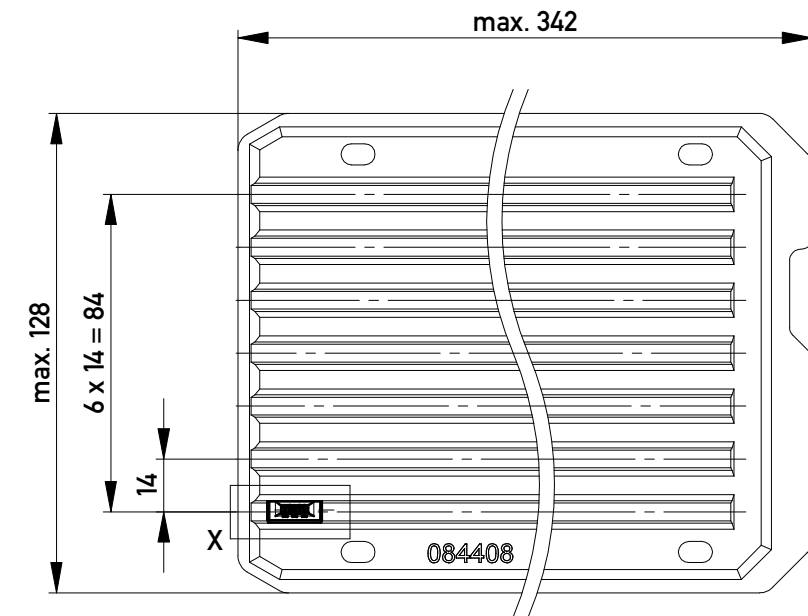
Abdeckung vorverrastet
cover loose mounted



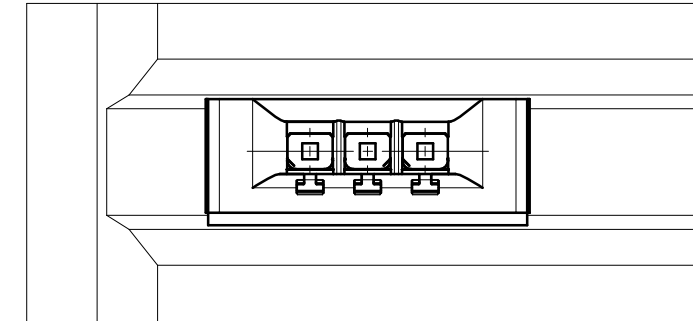
Abdeckung verpresst
cover pressed on



Verpackt in Tray - tray packaging
Verpackungseinheit 154 Stück - packaging unit 154



Einzelheit X
detail X



Copyright by ERNI GmbH Proprietary notice pursuant to ISO 16016 to be observed.	Information: Codierung rot - coding red		Tolerances 	Scale 3:1		
	All rights reserved. Only for Information. To ensure that this is the latest version of this drawing, please contact one of the ERNI companies before using.		Subject to modification without prior notice. Drawing will not be updated.		Designation F 2.54 SRC-A, 3-polig BA 2	
		www.ERNI.com		101003210146		K
d Index	08.07.2016 Date			Class SRCBUG		A3