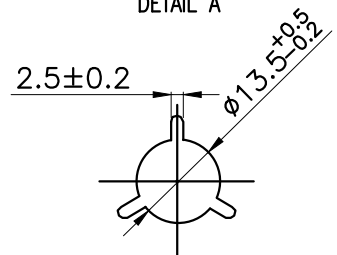
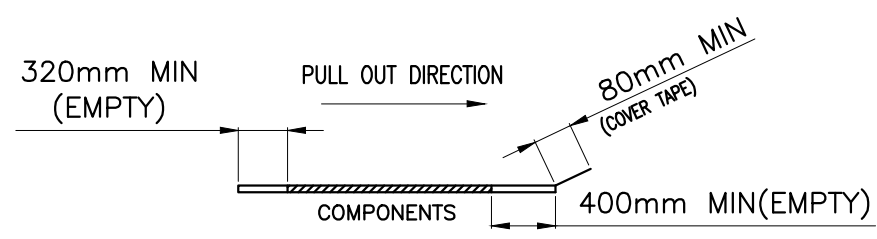
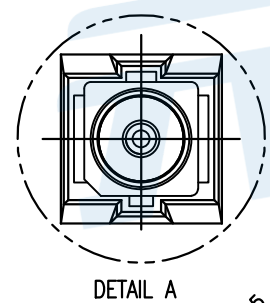
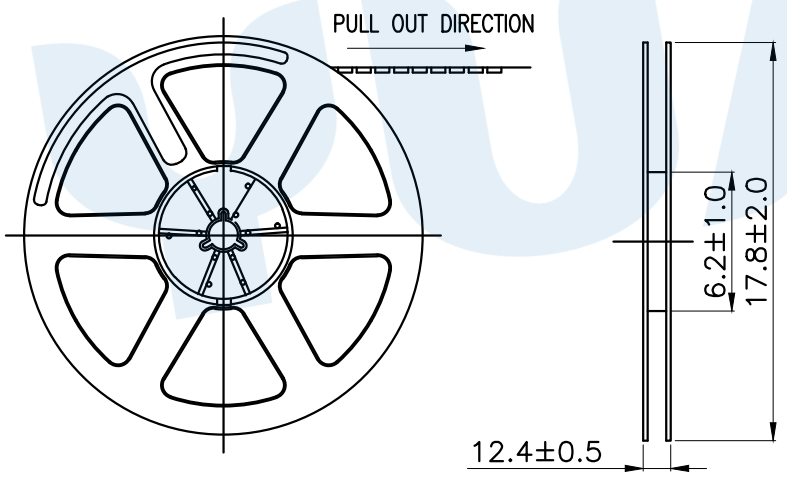
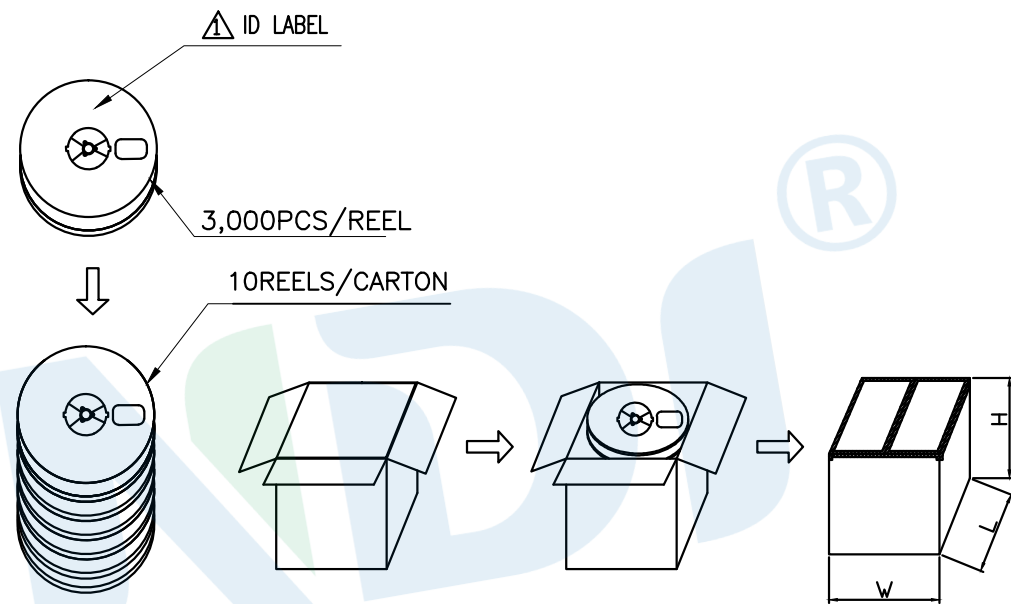
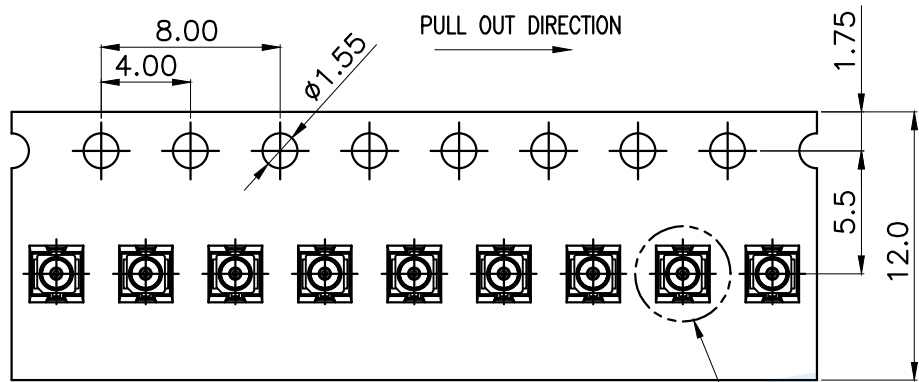


RoHS



- NOTES:
- MATERIAL :
 - EMBOSSED CARRIER: PET
 - COVER TAPE: PET
 - SHIPPING CARTON: CORRUGATED FIBER
 - DIMENSION :
 - REEL: W=12.4
 - SHIPPING CARTON: L*, W*, H*
 - QUANTITY :
 - PRIMARY PACKING: 3,000PCS/REEL
 - SECONDARY PACKING: 10REELS/CARTON(30,000PCS)

YUANDI® Yuandi Electronics Co, Ltd

design	date	name	ANTENNA BASE
Review	date	model	RF-004
Approved	date		

Drawing number: Proportion 1:1 unit mm gage number A4

angle	±2'		
10~30	±0.30		
5~10	±0.20		
~ 5	±0.10		
modify	Review	Approved	Tolerance not specified