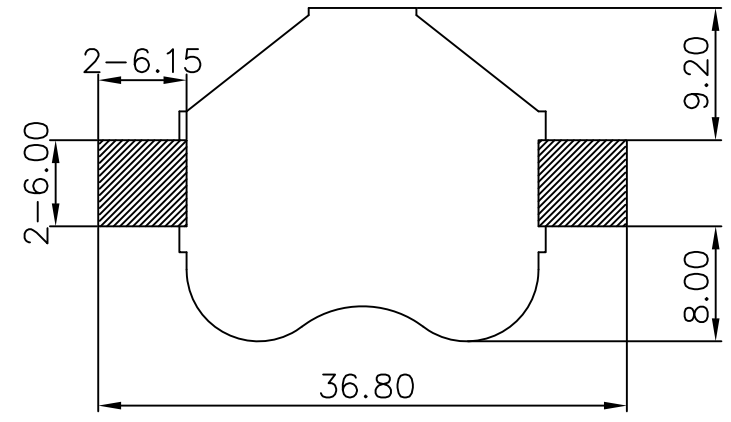
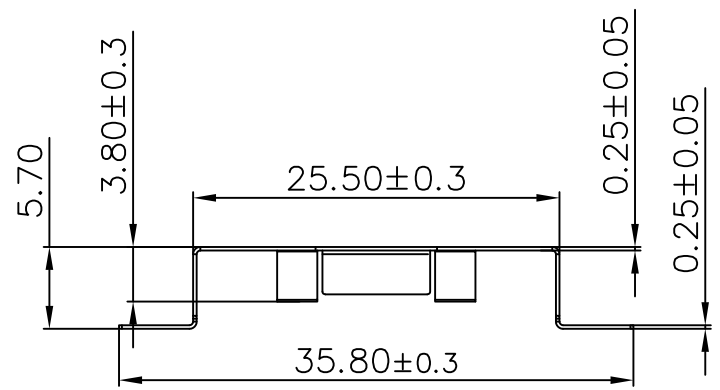
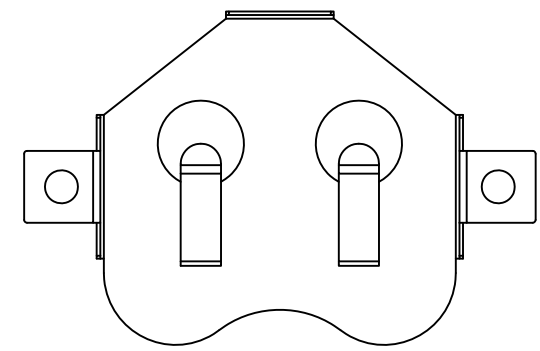
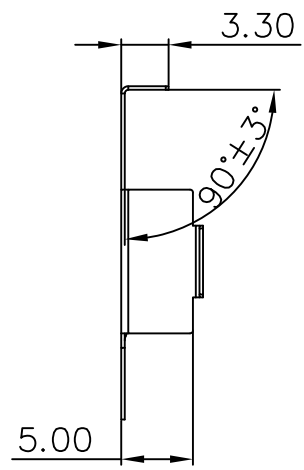
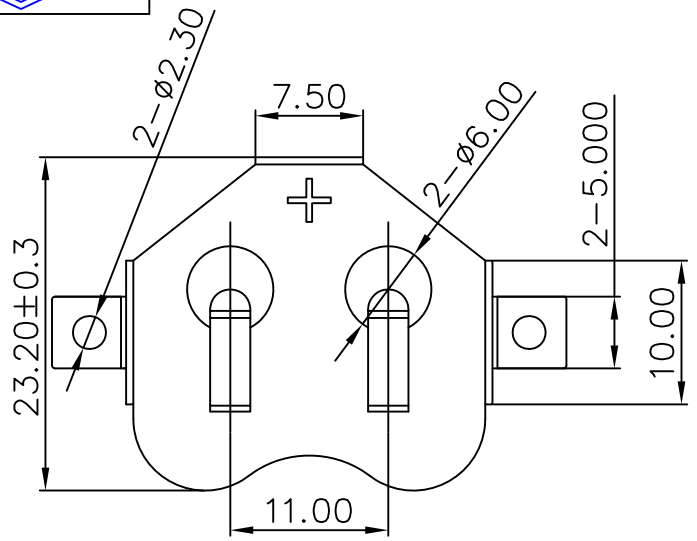




REV.	ECN NO.	REVISED	DATE



工程部
2020-03-18
LQ. HUANG

PCB Layout Diagram
Top View

UNLESS OTHERWISE SPECIFIED TOLERANCES		MYOUNG 美阳 www.meiyangdz.com			
DECIMALS: X :±0.30 X.X :±0.25 X.XX :±0.20 X.XXX :±0.10	ANGLES: X :±1° X.X :±0.5°	DSND	YangFeng	DATE	2020-03-18
WEIGHT: 1.315g		CHKD	ZhouRuicai	DATE	2020-03-18
SHEET 1 OF 1		APVD	XueShunyong	DATE	2020-03-18
NO.		SCALE: 2:1	SIZE: A4	VIEW:	TITLE: 电池扣CR2450-W
PART NAME		UNIT: mm	REV.: A/0	OBJECT: MY	PART NO.: MY-2450-01
Q'TY		DRAW NO.:MY-CP-0106			
MATERIAL					
PLATING & COLOR					

1	TERMINAL(+)	1	C5191, T=0.25±0.05mm	3µm-6.5µm Ni-Plating
NO.	PART NAME	Q'TY	MATERIAL	PLATING & COLOR