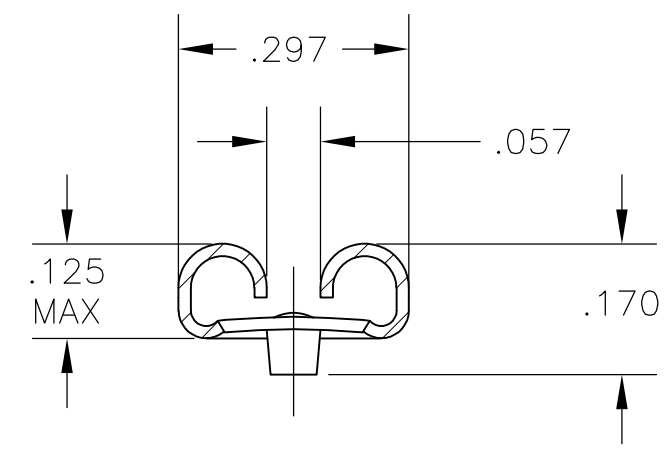
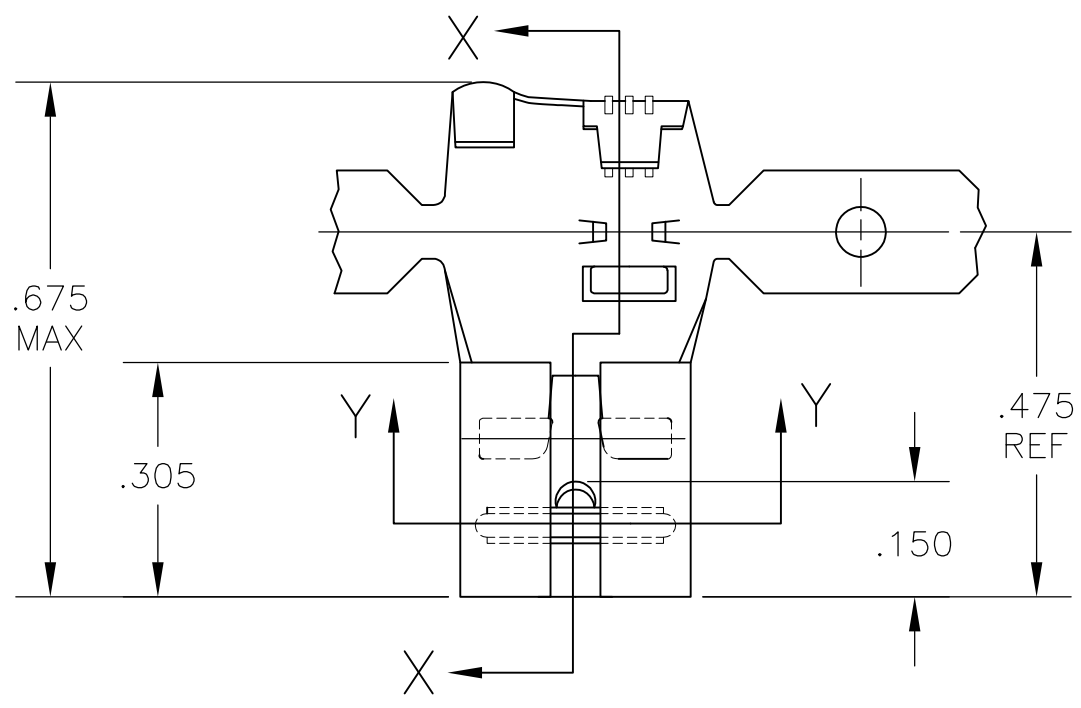


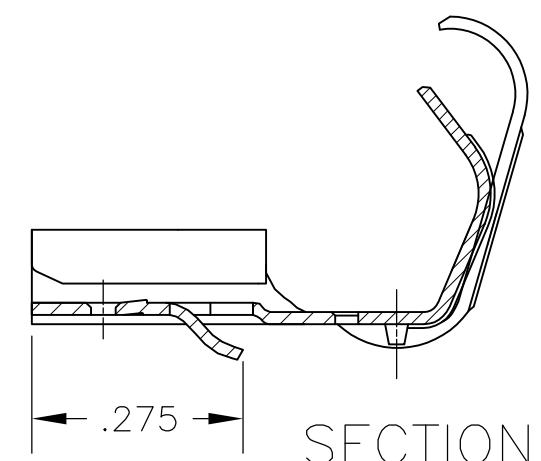
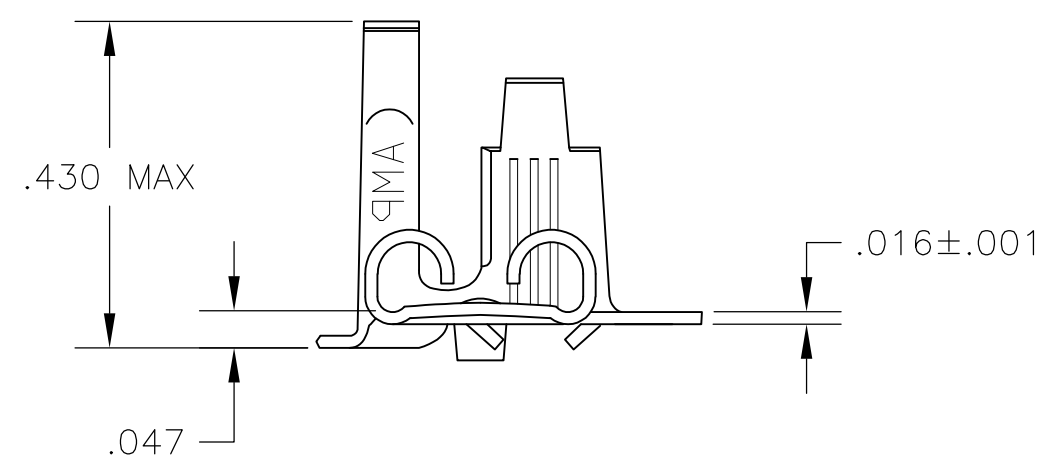
THIS DRAWING IS UNPUBLISHED. RELEASED FOR PUBLICATION  
 © COPYRIGHT - By - ALL RIGHTS RESERVED.

LOC	DIST	REVISIONS					
AF	50	P	LTR	DESCRIPTION	DATE	DWN	APVD
		C		REVISED PER ECR-11-018063	07DEC11	KH	PD

- 1 CONTINUOUS STRIP ON REELS
- 2 WIRE SIZE IS #16-#14 AWG
- 3 INSULATION RANGE IS .110-.210 DIA
- 4 MATING TAB THK IS .032±.001
- △ LUBRICANT APPLIED AFTER PLATING.



SECTION Y-Y



SECTION X-X

1742291-1  
PART NO

THIS DRAWING IS A CONTROLLED DOCUMENT.		DWN jr_ruth 17MAY05	TE Connectivity RECEPTACLE, FLAG, FASTIN-FASTON, .250 SERIES			
DIMENSIONS: INCHES		CHK K RANDOLPH 17MAY05				NAME
TOLERANCES UNLESS OTHERWISE SPECIFIED:		APVD K RANDOLPH 17MAY05	PRODUCT SPEC		SIZE	
0 PLC ± - 1 PLC ± - 2 PLC ± - 3 PLC ± .010 4 PLC ± - ANGLES ± 5°		APPLICATION SPEC		CAGE CODE	DRAWING NO	RESTRICTED TO
MATERIAL H04 PHOS BRONZE		FINISH TIN △ 5		WEIGHT -	A3 00779	C-1742291
CUSTOMER DRAWING			SCALE 1:1	SHEET 1 OF 1	REV C	