



Photoelectric sensors  
W100-2, Photoelectric proximity sensor,  
Background blanking

WT100-2N4419



Type > [WT100-2N4419](#)  
Part No. > [6052377](#)



Illustration may differ

**At a glance**

- Standard miniature housing with integrated M3 threaded mounting holes
- Bright emitted light spot and clearly visible indicator LEDs
- Light/dark switching and sensitivity adjustment possible
- Effective background blanking

**Your benefits**

- Straightforward alignment thanks to bright light spot and clearly visible indicator LEDs
- Compatibility with a number of common mounting systems due to standard housing with 1-inch hole spacing and integrated M3 threaded mounting hole
- Highly reliable and durable despite optical interference and mechanical loads
- Precise detection, irrespective of reflective objects and backgrounds



**Features**

Sensor/detection principle:	Photoelectric proximity sensor, Background blanking
Dimensions (W x H x D):	11 mm x 31 mm x 20 mm
Housing design (light emission):	Rectangular
Sensing range max.:	4 mm ... 140 mm <sup>1)</sup>
Sensing range:	10 mm ... 100 mm <sup>2)</sup>
Type of light:	Visible red light
Light source:	LED <sup>3)</sup>
Wave length:	632 nm
Adjustment:	Potentiometer
Light spot size (distance):	Ø 8 mm (90 mm)

<sup>1) 2)</sup> Object with 90 % reflectance (referred to standard white, DIN 5033) <sup>3)</sup> Average service life of 100,000 h at T<sub>A</sub> = +25 °C

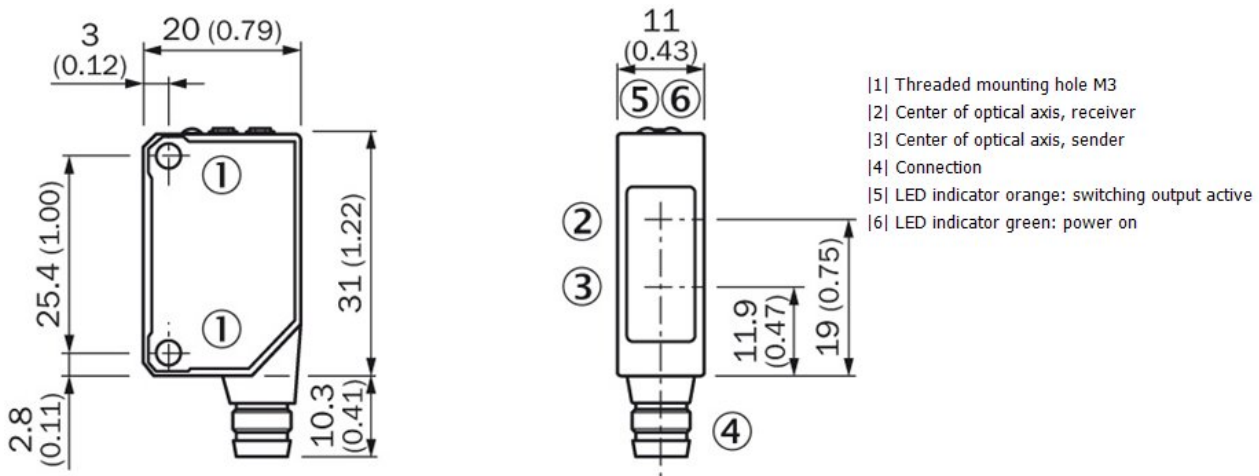
**Mechanics/electronics**

Supply voltage:	10 V DC ... 30 V DC <sup>1)</sup>
Ripple:	± 10 % <sup>2)</sup>
Current consumption:	≤ 30 mA <sup>3)</sup>
Output type:	NPN
Switching mode:	Light/dark switching
Switching mode selector:	Selectable via light/dark rotary switch
Output current I <sub>max</sub> .:	100 mA

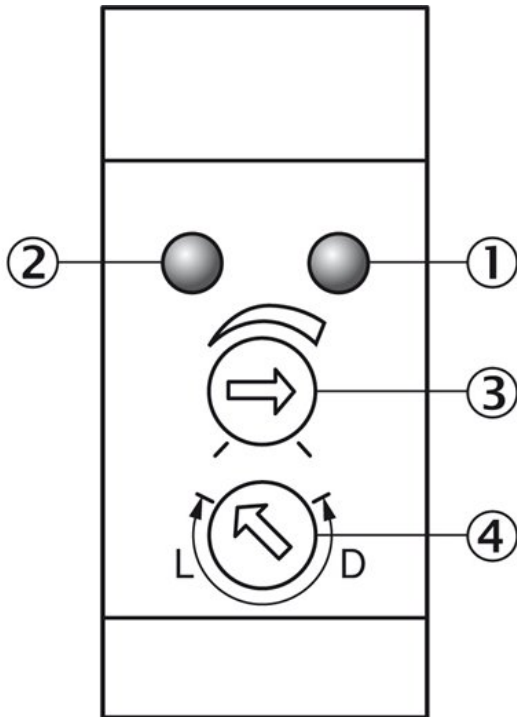
Response time:	$\leq 0.5 \text{ ms}$ <sup>4)</sup>
Switching frequency:	1,000 Hz <sup>5)</sup>
Connection type:	Connector M8, 4-pin
Circuit protection:::	A, B, D <sup>6) 7) 8)</sup>
Protection class:	III
Special device:	-
Optics material:	PMMA
Enclosure rating:	IP 67
Items supplied:	Mounting bracket BEF-W100-A
Ambient operating temperature:	-25 °C ... +55 °C
Ambient storage temperature:	-40 °C ... +70 °C
Signal voltage NPN HIGH/LOW:	Approx. $V_S / < 1.8 \text{ V}$
Housing material:	ABS/PC/POM, Plastic

1) Limit values 2) May not exceed or fall short of  $V_S$  tolerances 3) Without load 4) Signal transit time with resistive load 5) With light/dark ratio 1:1 6)  $A = V_S$   
 connections reverse-polarity protected 7) B = output reverse-polarity protected 8) D = outputs overcurrent and short-circuit protected

### Dimensional drawing

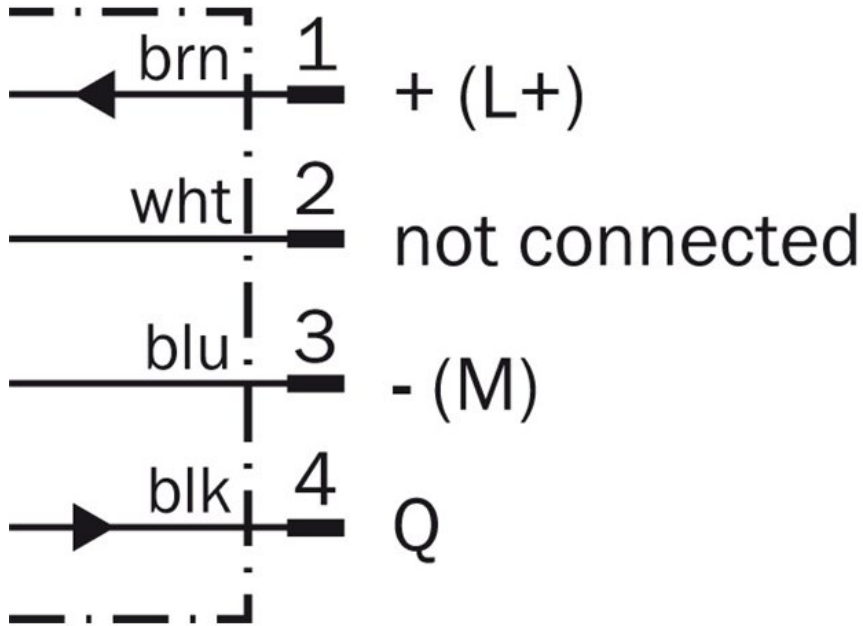


## Adjustments possible

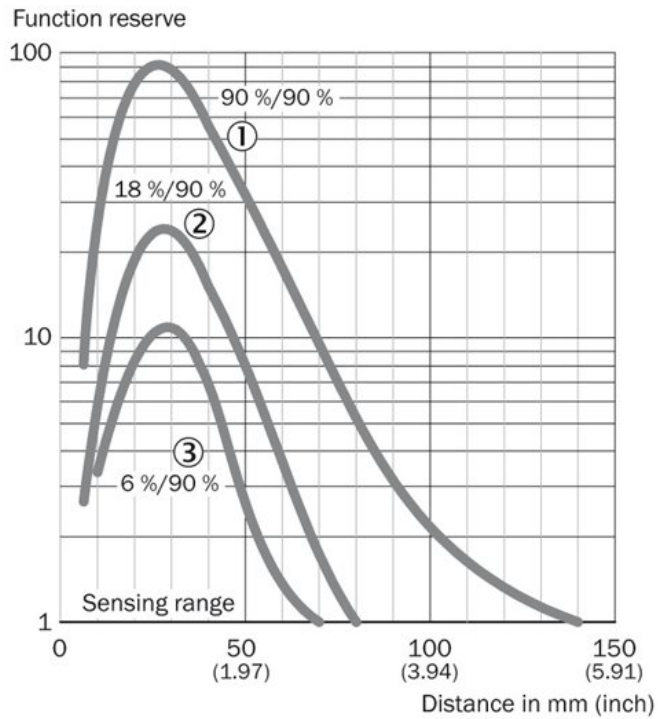


- |1| LED indicator orange: switching output active
- |2| LED indicator green: power on
- |3| Sensing range adjustment: potentiometer
- |4| Light/ dark rotary switch: L = light switching, D = dark switching

## Connection diagram

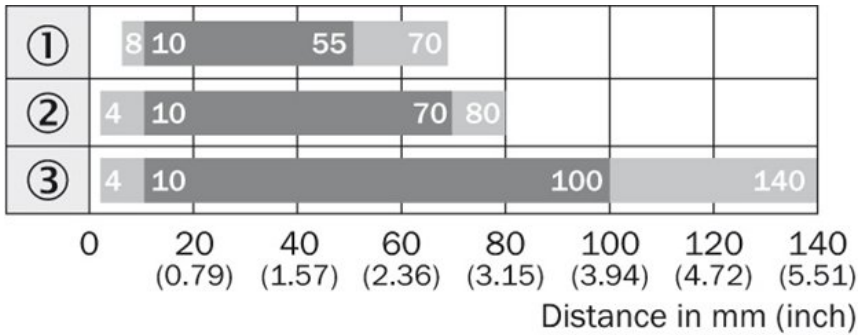


## Characteristic curve



- |1| Sensing range on white, 90 % remission
- |2| Sensing range on gray, 18 % remission
- |3| Sensing range on black, 6 % remission

## Sensing range diagram

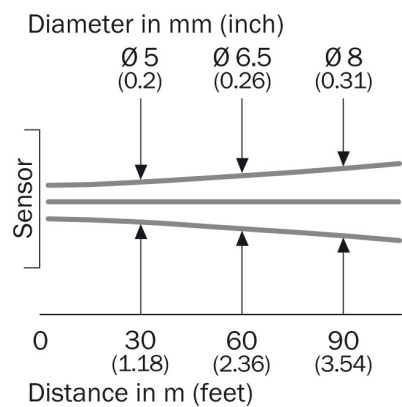


- |1| Sensing range on black, 6 % remission
- |2| Sensing range on gray, 18 % remission
- |3| Sensing range on white, 90 % remission

■ Sensing range      ■ Sensing range max.

## Light spot size

---



**Australia**

Phone +61 3 9457 0600  
1800 33 48 02 – tollfree  
E-Mail sales@sick.com.au

**Belgium/Luxembourg**

Phone +32 (0)2 466 55 66  
E-Mail info@sick.be

**Brasil**

Phone +55 11 3215-4900  
E-Mail marketing@sick.com.br

**Canada**

Phone +1 905 771 14 44  
E-Mail information@sick.com

**Česká republika**

Phone +420 2 57 91 18 50  
E-Mail sick@sick.cz

**China**

Phone +86 4000 121 000  
E-Mail info.china@sick.net.cn  
Phone +852-2153 6300  
E-Mail ghk@sick.com.hk

**Danmark**

Phone +45 45 82 64 00  
E-Mail sick@sick.dk

**Deutschland**

Phone +49 211 5301-301  
E-Mail info@sick.de

**España**

Phone +34 93 480 31 00  
E-Mail info@sick.es

**France**

Phone +33 1 64 62 35 00  
E-Mail info@sick.fr

**Great Britain**

Phone +44 (0)1727 831121  
E-Mail info@sick.co.uk

**India**

Phone +91-22-4033 8333  
E-Mail info@sick-india.com

**Israel**

Phone +972-4-6881000  
E-Mail info@sick-sensors.com

**Italia**

Phone +39 02 27 43 41  
E-Mail info@sick.it

**Japan**

Phone +81 (0)3 5309 2112  
E-Mail support@sick.jp

**Magyarország**

Phone +36 1 371 2680  
E-Mail office@sick.hu

**Nederland**

Phone +31 (0)30 229 25 44  
E-Mail info@sick.nl

**Norge**

Phone +47 67 81 50 00  
E-Mail sick@sick.no

**Österreich**

Phone +43 (0)22 36 62 28 8-0  
E-Mail office@sick.at

**Polska**

Phone +48 22 837 40 50  
E-Mail info@sick.pl

**România**

Phone +40 356 171 120  
E-Mail office@sick.ro

**Russia**

Phone +7-495-775-05-30  
E-Mail info@sick.ru

**Schweiz**

Phone +41 41 619 29 39  
E-Mail contact@sick.ch

**Singapore**

Phone +65 6744 3732  
E-Mail sales.gsg@sick.com

**Slovenija**

Phone +386 (0)1-47 69 990  
E-Mail office@sick.si

**South Africa**

Phone +27 11 472 3733  
E-Mail info@sickautomation.co.za

**South Korea**

Phone +82 2 786 6321/4  
E-Mail info@sickkorea.net

**Suomi**

Phone +358-9-25 15 800  
E-Mail sick@sick.fi

**Sverige**

Phone +46 10 110 10 00  
E-Mail info@sick.se

**Taiwan**

Phone +886 2 2375-6288  
E-Mail sales@sick.com.tw

**Türkiye**

Phone +90 (216) 528 50 00  
E-Mail info@sick.com.tr

**United Arab Emirates**

Phone +971 (0) 4 88 65 878  
E-Mail info@sick.ae

**USA/México**

Phone +1(952) 941-6780  
1 (800) 325-7425 – tollfree  
E-Mail info@sickusa.com

More representatives and agencies  
at [www.sick.com](http://www.sick.com)