

PART NAME	NON-METALLIC ENCLOSURE (STYLE A)	PART No.	NBA-10142 & NBA-10162
-----------	----------------------------------	----------	-----------------------

**MATERIAL:**

SOLID BODY & COVER \_\_\_\_\_ ABS/PC BLENDED PLASTIC  
UL94-5VB FLAMMABILITY RATING

CLEAR COVER \_\_\_\_\_ POLYCARBONATE PLASTIC  
UL94V-0 FLAMMABILITY RATING  
UV STABILIZED

LATCHES, HINGES &  
WALL MOUNTING BRACKETS \_\_\_\_\_ STAINLESS STEEL

**FINISH:**

BODY \_\_\_\_\_ LIGHT GRAY  
COVER \_\_\_\_\_ LIGHT GRAY OR CLEAR

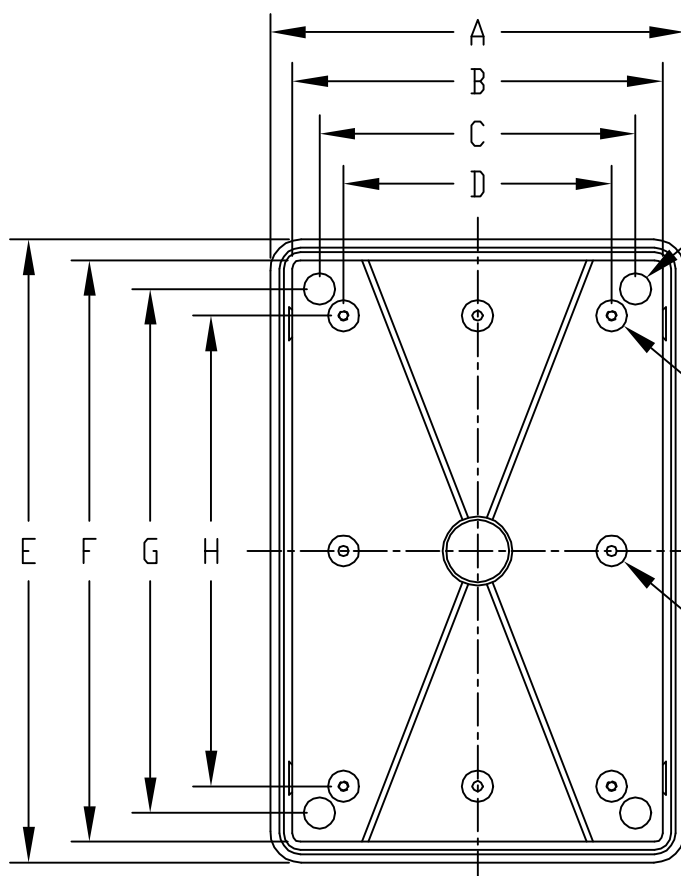
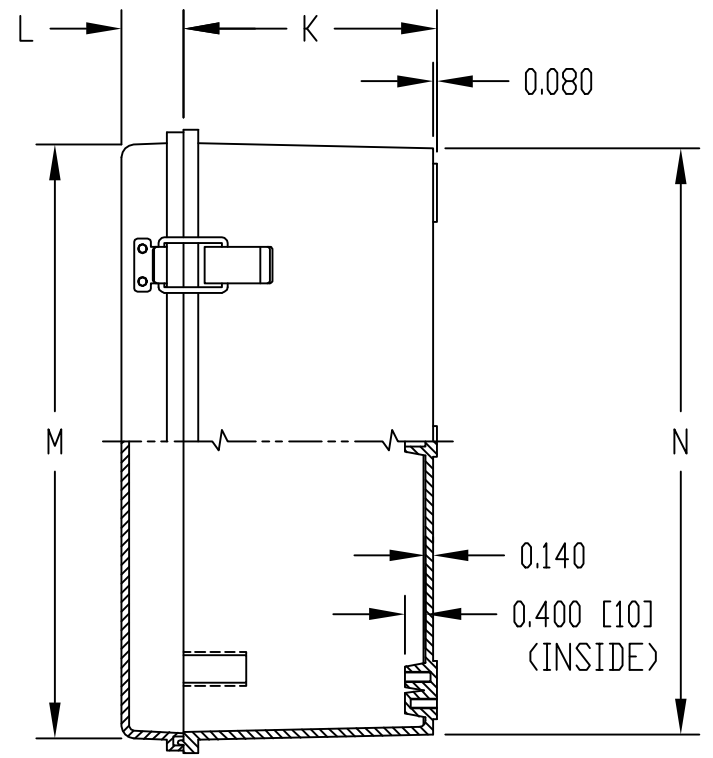
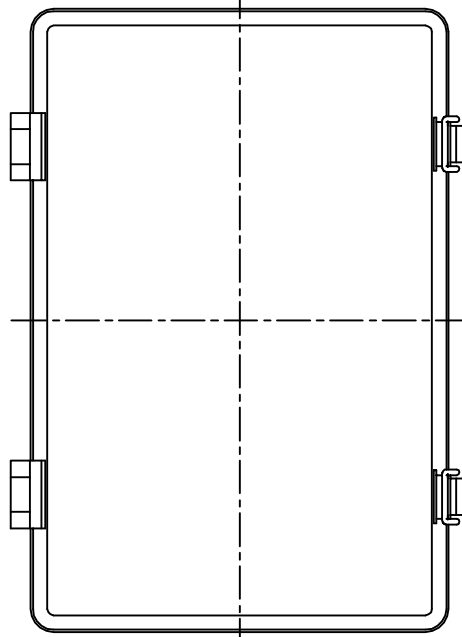
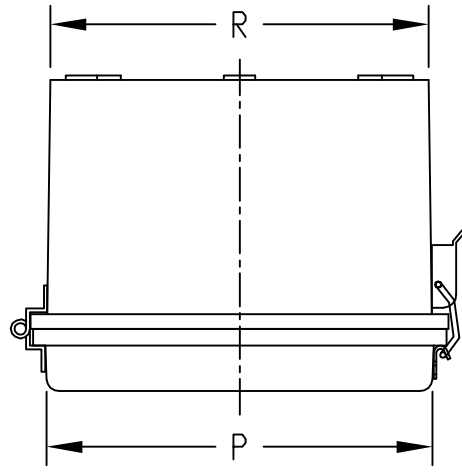
COVER INCLUDES GRAY POLY-URETHANE GASKET.

**NOTE:** UNIT COMES COMPLETE WITH (4) WALL MOUNTING BRKTS. & (4) M5 x 10mm LG. TRUSS HD. MACHINE SCREWS (NOT SHOWN)

INTERNAL HINGED PANEL MOUNTING BRACKETS, AIR & MOISTURE VENTS, STAINLESS STEEL LOCKING HASP AND GALVANIZED STEEL INTERNAL PANEL ARE NOT INCLUDED, BUT CAN BE PURCHASED SEPARATELY.

**INDUSTRY STANDARDS:**

UL508 TYPE 1, 2, 4, 4X INDOOR, 12 & 13  
NEMA TYPE 1, 2, 4, 4X, 12 & 13  
IEC529-IP65



0.590 [15] DIA. BOSS WITH M5 x 0.8mm THREADED BRASS INSERT (4) PLACES (FAR SIDE)

0.590 [15] DIA. BOSS WITH M5 x 0.8mm THREADED BRASS INSERT (4) PLACES

0.590 [15] DIA. BOSS WITH 0.197 [5] DIA. HOLE x 0.395 [10] DEEP (4) PLACES  
BOSSSES ACCEPT M6 METRIC OR 0.250" STD. SHEET METAL SCREWS x 0.375 [9] LG. (NOT SUPPLIED)

VIEW LESS COVER

DIMENSIONS = INCHES [MILLIMETERS]

**NOTE:** ALL DIMENSIONS HAVE ±0.039 [±1] TOLERANCE UNLESS OTHERWISE SPECIFIED

PART NO.		DIMENSIONS													
SOLID COVER	CLEAR COVER	A	B	C	D	E	F	G	H	K	L	M	N	P	R
NBA-10142	NBA-10162	7.850 [199]	7.020 [178]	5.986 [152]	5.078 [129]	11.807 [300]	11.013 [280]	9.921 [252]	8.912 [226]	4.797 [122]	1.175 [30]	11.245 [286]	11.100 [282]	7.300 [185]	7.155 [182]