

THIS DRAWING IS UNPUBLISHED.

RELEASED FOR PUBLICATION

-. -. .

© COPYRIGHT - By -

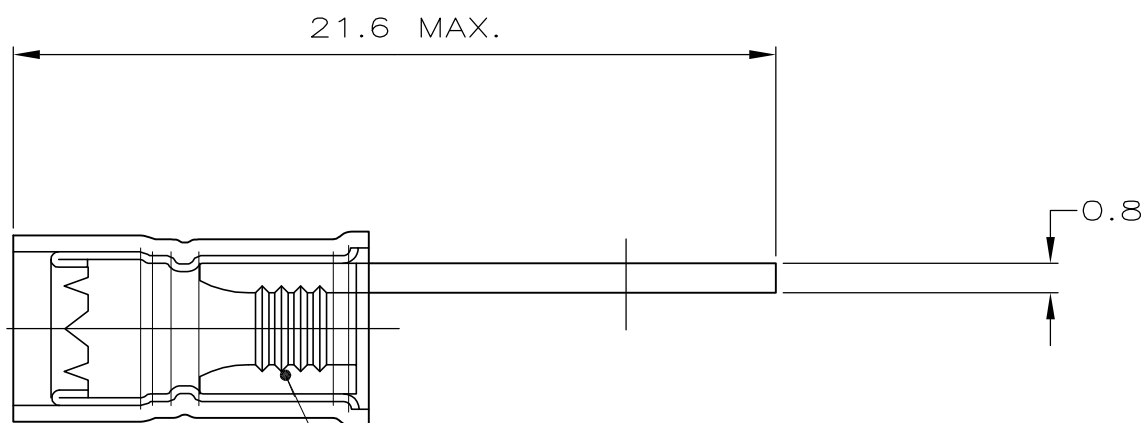
ALL RIGHTS RESERVED.

LOC
F

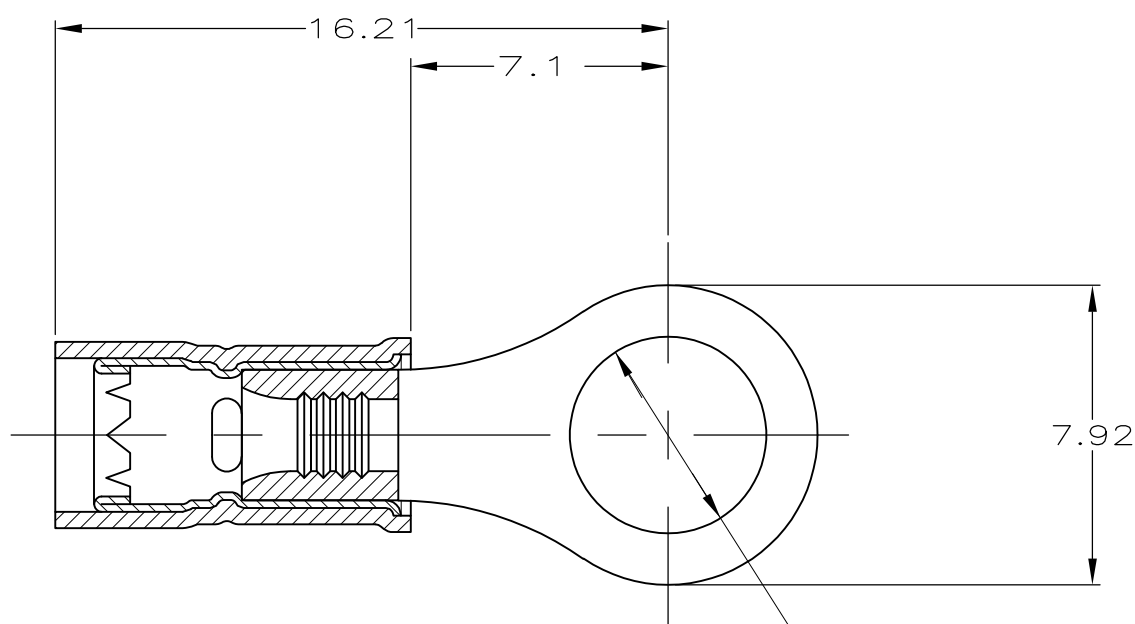
DIST
-

REVISIONS

P	LTR	DESCRIPTION	DATE	DWN	APVD
P		REVISED PER ECO-11-005027	14MAR11	RK	HMR



MANCHON ROUGE



TROU POUR BORNE M5 (#10)

DESSIN CLIENT UNIQUEMENT POUR REFERENCES

THIS DRAWING IS A CONTROLLED DOCUMENT.		DWN G. ROBERT	02/02/90	STE TE Connectivity															
DIMENSIONS: mm [INCHES]		CHK PAR	APVD -			NAME COSSE PIDG													
TOLERANCES UNLESS OTHERWISE SPECIFIED:		PRODUCT SPEC -		APPLICATION SPEC -															
<table border="0"> <tr><td>0 PLC</td><td>± -</td></tr> <tr><td>1 PLC</td><td>± 0,3</td></tr> <tr><td>2 PLC</td><td>± -</td></tr> <tr><td>3 PLC</td><td>± -</td></tr> <tr><td>4 PLC</td><td>± -</td></tr> <tr><td>ANGLES</td><td>± 5°</td></tr> </table>		0 PLC	± -	1 PLC	± 0,3	2 PLC	± -	3 PLC	± -	4 PLC	± -	ANGLES	± 5°	WEIGHT -		SIZE A3	CAGE CODE 00779	DRAWING NO C-130005	RESTRICTED TO -
0 PLC	± -																		
1 PLC	± 0,3																		
2 PLC	± -																		
3 PLC	± -																		
4 PLC	± -																		
ANGLES	± 5°																		
MATERIAL CUIVRE		FINISH ETAIN		CUSTOMER DRAWING		SCALE -	SHEET 1 OF 1	REV P											

PLAN CLIENT