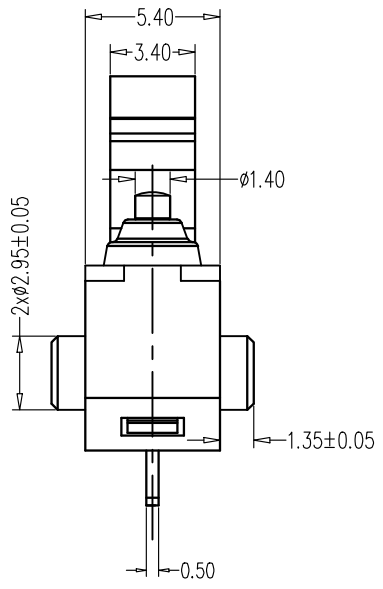
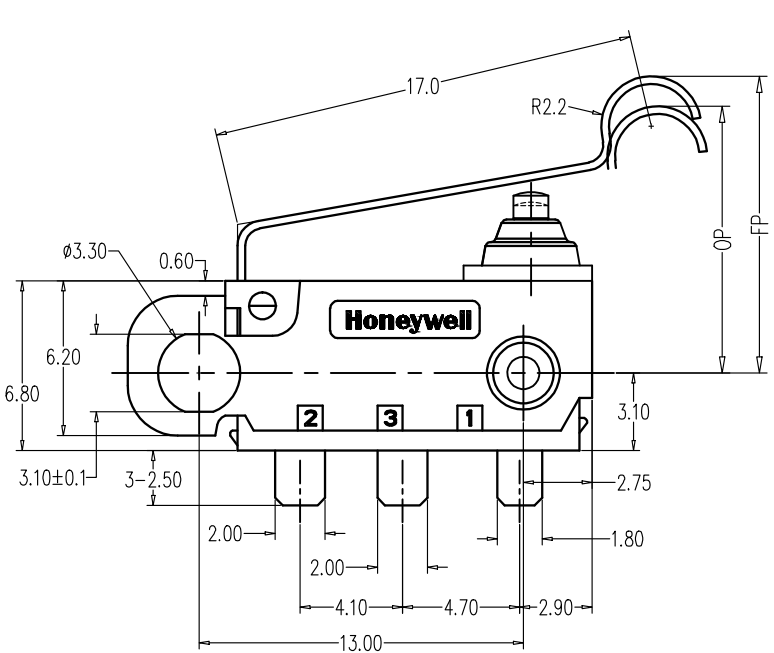


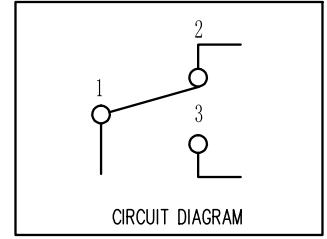
PART NUMBER

REVISION HISTORY					
REV	DOCUMENT	DESCRIPTION	CHGD BY	DATE	APPROVED

PROPOSAL DRAWING



SPECIFICATION	
OPERATING TEMPERATURE	-40°C-85°C
STORAGE CONDITIONS	-10°C-40°C, MAX 85% R.H.
VIBRATION RESISTANCE (PER IEC 60068-2-6)	10-55Hz, DISPLACEMENT 1.5mm (PEAK-PEAK) NO CONTACT SEPARATION > 1 MILLISECOND
SHOCK RESISTANCE (PER IEC 60068-2-27)	DESTRUCTION: 294 m/s ² (30g) MAX. SWITCH IS FUNCTIONAL AFTER TEST
	MALFUNCTION: 100 m/s ² (10g) MAX. NO CONTACT SEPARATION > 1 MILLISECOND
SOLDERING BY HAND	≤5Sec @ 350°C MAX.
SOLDERING BATH	≤5Sec @ 260°C MAX.
CONTACT RESISTANCE (INITIAL)	200 mΩ MAX AS MEASURED USING 4-WIRE VOLTAGE DROP METHOD @ 6VDC & 100mA
DIELECTRIC STRENGTH	BETWEEN OPEN CONTACTS 500 VAC FOR 1 MINUTE, LEAKAGE CURRENT ≤10mA
	1000 VAC FOR 1 MINUTE, LEAKAGE CURRENT ≤10mA BETWEEN LIVE-PARTS AND GROUND BETWEEN LIVE-PARTS AND DEAD METAL PARTS
INSULATION RESISTANCE	MIN. 100MΩ (500VDC-1 MINUTE)
ELECTRICAL ENDURANCE	100,000 CYCLES @ 12 CYCLES/MINUTE MAX.
MECHANICAL ENDURANCE	500,000 CYCLES @ 60 CYCLES/MINUTE MAX.
CONTACT MATERIAL	SILVER ALLOY
TERMINAL FINISH	SILVER PLATED



CHARACTERISTICS	ELECTRICAL DATA	UNLESS OTHERWISE SPECIFIED	THIRD ANGLE PROJECTION	Honeywell				
OPERATING FORCE----- 200gf MAX.	CONTACT ARRANGEMENT S P D T	DIMENSIONS ARE IN MM		TITLE SWITCH - BASIC				
DIFFERENTIAL FORCE-----	10mA 12VDC	DECIMAL TOL. NO PLACE ---		SIZE	CAGE CODE	DWG NO	TYPE	REV
RELEASE FORCE----- 30 gf MIN.	3A 12VDC	1 PLACE --- ±0.00		PO	-	X214602-HD (HD20S20C07)	I	A
FREE POSITION-----	3A 125VAC	2 PLACE --- ±0.40		SCALE	4:1	REF WT.	SHEET	1 of 1
OPERATING POSITION----- 10.5 ± 0.6MM	40T85 μ IE5	3 PLACE --- ±0.20		RELEASE DATE	-	-	HONEYWELL CONFIDENTIAL	
PRE-TRAVEL----- 3.5 MM MAX.		ANGULAR TOL. - ±Z° CHAMFER -		DRW	-	-	THIS DOCUMENT CONTAINS PROPRIETARY INFORMATION AND SUCH INFORMATION MAY NOT BE DISCLOSED TO OTHERS FOR ANY PURPOSE, NOR USED FOR MANUFACTURING PURPOSES WITHOUT WRITTEN PERMISSION FROM HONEYWELL	
DIFFERENTIAL TRAVEL----- 0.6 MM MAX.				RDE	-	-		
OVERTRAVEL----- 1.8 MM MAX.				QA	-	-		
FULL OVERTRAVEL FORCE-----				CHK	-	-		
				APPLICABLE DOCUMENTS:				
				COMPUTER GENERATED DRAWING: PRO/ENGINEER				