

DATA SHEET

SKY85736-11: 5 GHz WLAN Front-End Module

Applications

- 802.11ac networking and personal computing systems
- PC cards, PCMCIA cards, mini-cards, and half mini-cards
- WLAN-enabled wireless video systems

Features

- Integrated high-performance 5 GHz PA, LNA with bypass, and T/R switch
- Fully matched input and output
- Integrated power detector and directional coupler
- Transmit gain: 32 dB
- Receive gain: > 14 dB
- Output power: +22 dBm @ -35 dB DEVM, HT80, MCS9, 5 V
- Output power: +23 dBm @ -30 dB DEVM, HT40, MCS7, 5 V
- Small laminate (24-pin, 3 x 5 mm) package (MSL3, 260 °C per JEDEC J-STD-020)



Skyworks Green™ products are compliant with all applicable legislation and are halogen-free. For additional information, refer to *Skyworks Definition of Green™*, document number SQ04-0074.

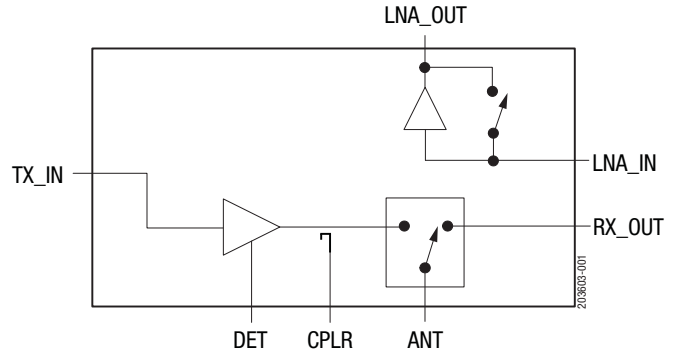


Figure 1. SKY85736-11 Block Diagram

Description

The SKY85736-11 is a highly integrated, 5 GHz front-end module (FEM) incorporating a 5 GHz single-pole, double-throw (SPDT) transmit/receive (T/R) switch, a 5 GHz high-gain low-noise amplifier (LNA) with bypass, and a 5 GHz power amplifier (PA) intended for high-power 802.11ac applications and systems.

The LNA and PA disable functions ensure low leakage current in the off mode. An integrated power detector is included to provide closed-loop power control within the system.

The device is provided in a compact, 24-pin 3 x 5 mm laminate package, which may reduce the front-end board space by more than 50 percent. A functional block diagram is shown in Figure 1. The pin configuration and package are shown in Figure 2. Signal pin assignments and functional pin descriptions are provided in Table 1.

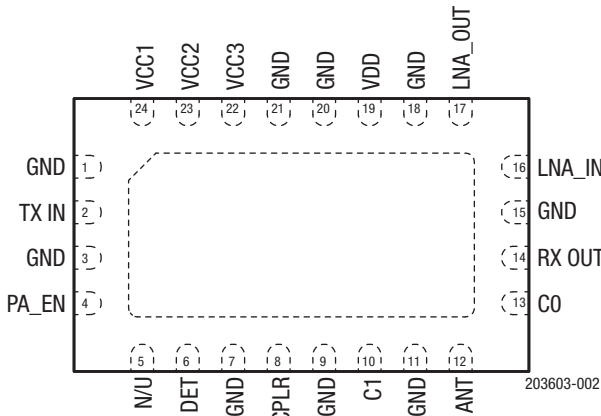


Figure 2. SKY85736-11 Pinout (Top View)

Table 1. SKY85736-11 Signal Descriptions

Pin	Name	Description	Pin	Name	Description
1	GND	Ground	13	CO	Control pin 0
2	TX_IN	Transmit input	14	RX_OUT	Switch RX output
3	GND	Ground	15	GND	Ground
4	PA_EN	PA enable	16	LNA_IN	LNA input
5	N/U	Not used (open circuit)	17	LNA_OUT	LNA output
6	DET	Detector output	18	GND	Ground
7	GND	Ground	19	VDD	LNA supply voltage
8	CPLR	DPD coupler output	20	GND	Ground
9	GND	Ground	21	GND	Ground
10	C1	Control pin 1	22	VCC3	PA third stage supply voltage
11	GND	Ground	23	VCC2	PA second stage supply voltage
12	ANT	Antenna	24	VCC1	PA first stage supply voltage

Technical Description

The SKY85736-11 is comprised of a high-power 5 GHz PA, a 5 GHz LNA, and a broadband SPDT switch. The device is fully-matched, and requires few external components for optimal performance, which makes it ideal for small portable/mobile applications. The FEM provides up to +31 dB of transmit gain over the frequency band. The LNA supports an enable/disable mode for power savings when not in receive mode and a bypass function for increased receive dynamic range. The PA can be shut off using the PA_EN signal (pin 4).

The low-loss broadband switch provides the T/R switching function on the SKY85736-11 and has a 1 dB output compression point (OP1dB) of approximately +30 dBm.

Electrical and Mechanical Specifications

The absolute maximum ratings of the SKY85736-11 are provided in Table 2. The recommended operating conditions are specified in Table 3 and electrical specifications are provided in Table 4.

The state of the SKY85736-11 is determined by the logic provided in Table 5.

Table 2. SKY85736-11 Absolute Maximum Ratings¹

Parameter	Symbol	Minimum	Maximum	Units
Supply voltage	VCC1, VCC2, VCC3, and VDD	-0.3	+6.0	V
DC input on control pins (C0, C1, and PA_EN)	V _{IN}	-0.3	+3.6	V
Input power (50 Ω load)	P _{IN}		+10	dBm
Supply current	I _{CC}		500	mA
Storage temperature	T _{ST}	-40	+150	°C
Junction temperature	T _J		150	°C
Electrostatic discharge: Human Body Model (HBM), Class 1C	ESD		1000	V

¹ Exposure to maximum rating conditions for extended periods may reduce device reliability. There is no damage to device with only one parameter set at the limit and all other parameters set at or below their nominal value. Exceeding any of the limits listed here may result in permanent damage to the device.

ESD HANDLING: *Although this device is designed to be as robust as possible, electrostatic discharge (ESD) can damage this device. This device must be protected at all times from ESD when handling or transporting. Static charges may easily produce potentials of several kilovolts on the human body or equipment, which can discharge without detection. Industry-standard ESD handling precautions should be used at all times.*

Table 3. SKY85736-11 Recommended Operating Conditions

Parameter	Symbol	Minimum	Typical	Maximum	Units
Supply voltage	VCC1, VCC2, VCC3, and VDD	4.5	5.0	5.5	V
Control logic:					
High	V _{IH}	1.6		3.6	V
Low	V _{IL}	0		0.4	V
PA enable current	I _{ENABLE}		10	20	μA
LNA bias current	I _{DD}		15	18	mA
C0, C1 enable current				10	μA
Operating temperature	T _{OP}	-40		+85	°C

Table 4. SKY85736-11 Electrical Specifications¹ (1 of 2)
(VCC1 = VCC2 = VCC3 = VDD = 5.0 V, Top = 25 °C, Unless Otherwise Noted)

Parameter	Symbol	Test Condition	Min	Typical	Max	Units
Frequency range	f	Main frequency band	5.15		5.85	GHz
Transmit Mode						
Gain	G G _{3.9}	At 3.9 GHz	28	32 -4	0	dB dB
Gain flatness		Over any 40 MHz bandwidth	-0.5		+0.5	dB
Output power	P _{OUT}	With -45 dB EVM source: 11a, 11n mask compliant, HT20 11a OFDM54, HT20; -32 dB DEVM 11n MCS7, HT40, -30 dB DEVM 11n MCS7, HT40, -34 dB DEVM 11ac MCS9, HT80, -35 dB DEVM	+25 +21 +21 +19 +20	+27 +23 +23 +22 +22		dBm dBm dBm dBm dBm
Current consumption		Modulated signal: @ quiescent @ +22 dBm @ +23 dBm @ +26 dBm Leakage, EN off		200 320 340 440 50	350 370 500	mA mA mA mA µA
2 nd harmonics	2fo	+26 dBm MCS0, UNII-2, -3		-50	-40	dBm/MHz
3 rd harmonics	3fo	+26 dBm MCS0, UNII-2, -3		-50	-45	dBm/MHz
All spurious		+26 dBm OFDM, 6 Mbps		-28	-25	dBm
Isolation		From ANT to RX in TX mode (switch leakage + LNA S21 when off) From ANT to TX in RX mode (switch leakage + PA S12 when off)			-40 -40	dB dB
Input return loss	IS11I			10		dB
Output return loss	IS22I			15		dB
Power detector output: @ No RF @ +10 dBm @ +26 dBm				0.15 0.48 0.88		V V V
Coupler coupling factor ²	CPLG			-15		dB
Coupler directivity	DIR			17		dB
Power detector output impedance	Z _{OUT_DET}	RF output = -30 dBm		1400		Ω
PA switching time		From 10% ↔ 90% power change of rising or falling edge, state 1			500	ns
Ruggedness	Ru	TX_IN = 10 dBm, 10:1 mismatch, all phases	No permanent damage			

Table 4. SKY85736-11 Electrical Specifications¹ (2 of 2)
(VCC1 = VCC2 = VDD = 5.0 V, TOP = 25 °C, Unless Otherwise Noted)

Parameter	Symbol	Test Condition	Min	Typical	Max	Units
Receive Mode						
Gain	G		14	16		dB
1 dB input compression point	IP1dB	LNA active LNA bypass		-5 +19		dBm dBm
Gain step				22		dB
Gain flatness		Over any 40 MHz bandwidth	-0.25		+0.25	dB
Noise figure	NF	End to end		2.2		dB
Input return loss	S11	LNA active LNA bypass	10 10			dB dB
Output return loss	S22	LNA active LNA bypass		10 6		dB
Third order input intercept point	IIP3	LNA active	-3	+3		dBm
Switching time	tsw	LNA ↔ bypass RX ↔ TX			300 1	ns μs
Receive Bypass Mode						
Insertion loss	S21		-11	-6		dB

¹ Performance is guaranteed only under the conditions listed in this table.

² The coupling factor applies to the coupler itself; it is not relative to the FEM output.

Table 5. SKY85736-11 Logic

Mode	State	PEN	C0	C1
TX to ANT	1	1	0	1
RX LNA to ANT	2	0	1	0
RX bypass to ANT	3	0	1	1
All off	4	0	0	0
All other states	Not supported			

Evaluation Board Description

The SKY85736-11 Evaluation Board is used to test the performance of the SKY85736-11 FEM. A suggested application schematic diagram is shown in Figure 3. A photograph of the Evaluation Board is shown in Figure 4. Table 6 provides the Bill of Materials (BOM) list for Evaluation Board components.

Evaluation Board Setup Procedure

1. Place jumpers between J4 and J6 at pins 6, 8, 9, and 10.
2. Apply 5 V to pins 2 and 3 of the J5 header (pin 1 ground).
3. Select a path according to the information in Table 5 (L = 0 V, H = 3 V), either by placing jumpers at the J4 pins 4, 5, and 7, or applying signals from a controller.
4. Detector output can be measured on pin 1 of J4.

Circuit Design Considerations

The following design considerations are general in nature and must be followed regardless of final use or configuration:

- Paths to ground should be made as short as possible.
- The ground pad of the SKY85736-11 has special electrical and thermal grounding requirements. This pad is the main thermal conduit for heat dissipation. Because the circuit board acts as the heat sink, it must shunt as much heat as possible from the device.

Therefore, design the connection to the ground pad to dissipate the maximum wattage produced by the circuit board. Multiple vias to the grounding layer are required.

- TX_IN is DC shorted to GND. There is no DC leaking from the chip, but if there is DC on the line interfacing with the TX_IN pin, a 10 pF blocking capacitor is recommended.
- ANT, RX_OUT, and LNA_IN are DC blocked and do not require blocking capacitors.
- LNA_OUT is DC blocked but if there is > 1.5 V DC on the line connected to the LNA_OUT pin, a 10 pF blocking capacitor is recommended.

NOTE: A poor connection between the ground pad and ground increases junction temperature (T_j), which reduces the life of the device.

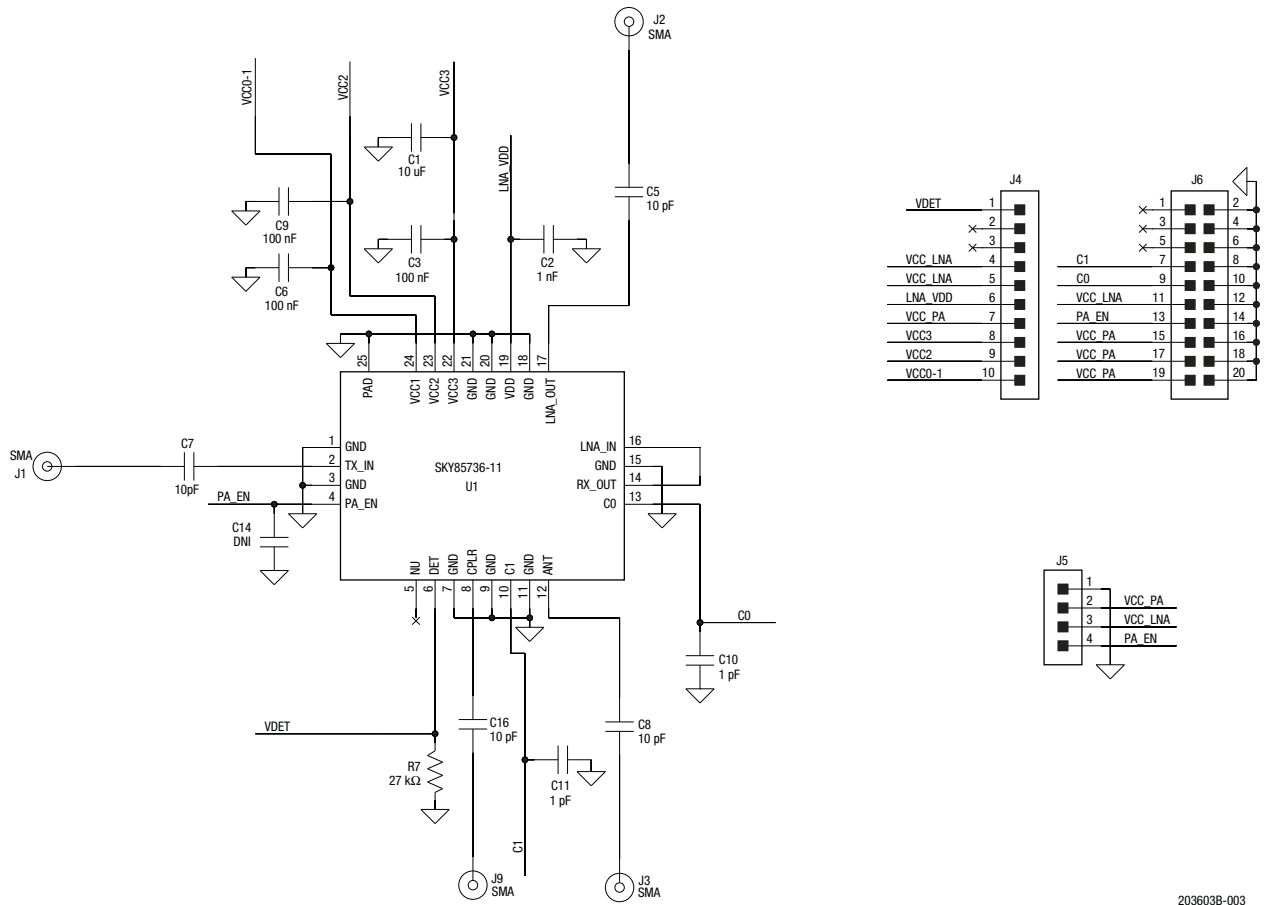


Figure 3. SKY85736-11 Application Schematic

203603B-003

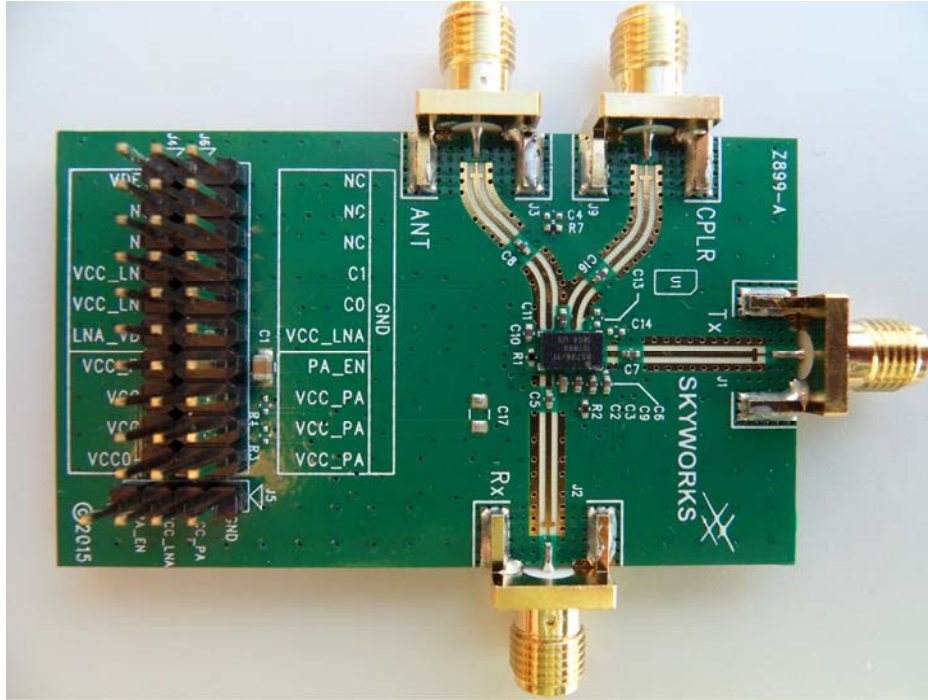


Figure 4. SKY85736-11 Evaluation Board

Table 6. SKY85736-11 Evaluation Board Bill of Materials

Component	Value	Size	Vendor	Part Number	Description
C1	10 uF	Murata	GRM21BR71A106KE51L	0805	Ceramic
C2	1 nF	Murata	GRM1555C1H102JA01	0402	Multilayer ceramic
C3, C6, C9	100 nF	Murata	GRM155R71C104KA88D	0402	Monolithic ceramic
C5, C7, C8	10 pF	Murata	GRM1555C1H100JZ01	0402	Multilayer ceramic
C10,C11	1 pF	Murata	GRM1555C1H1R0CZ01	0402	Multilayer ceramic
C16	10 pF	Murata	GJM1555C1H100GB01	0402	RF, high Q, low loss
R7	27 kΩ	Panasonic	ERJ2GEJ273	0402	Thick film chip resistor
U1	SKY85736-11	Skyworks Solutions	SKY85736-11	MCM3x5-24	802.11ac 5GHz 21dBm FEM with PA, SW, LNA

Package Dimensions

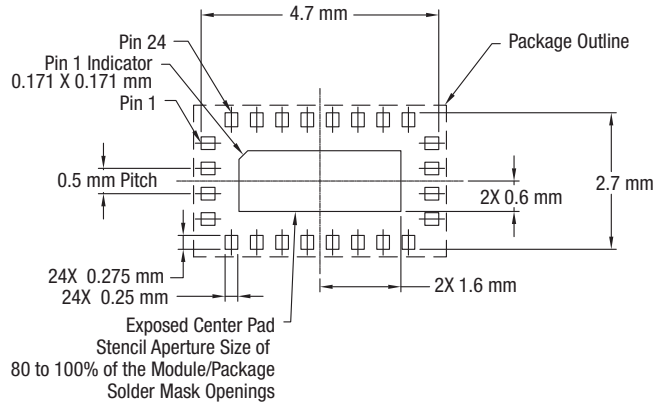
The PCB layout footprint for the SKY85736-11 is shown in Figure 5. Typical part markings are shown in Figure 6. Package dimensions are shown in Figure 7, and tape and reel dimensions are provided in Figure 8.

Package and Handling Information

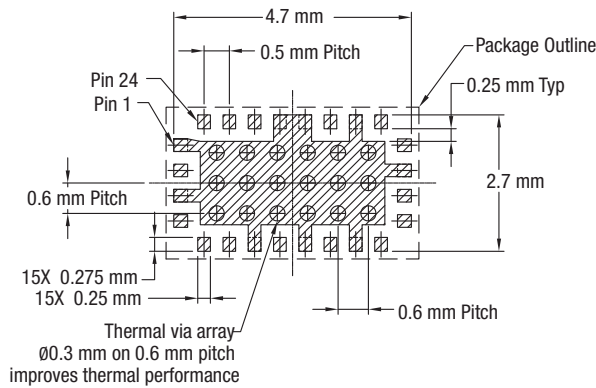
Since the device package is sensitive to moisture absorption, it is baked and vacuum packed before shipping. Instructions on the shipping container label regarding exposure to moisture after the container seal is broken must be followed. Otherwise, problems related to moisture absorption may occur when the part is subjected to high temperature during solder assembly.

The SKY85736-11 is rated to Moisture Sensitivity Level 3 (MSL3) at 260 °C. It can be used for lead or lead-free soldering. For additional information, refer to the Skyworks Application Note, *Solder Reflow Information*, document number 200164.

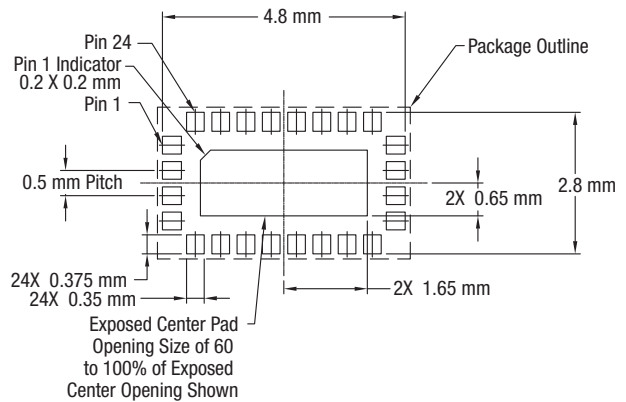
Care must be taken when attaching this product, whether it is done manually or in a production solder reflow environment. Production quantities of this product are shipped in a standard tape and reel format.



Stencil Aperture (Top View)



Metallization (Top View)



Solder Mask Opening (Top View)

Notes:

1. All measurements are in millimeters.
2. Thermal vias should be resin filled and capped in accordance with IPC-4761 type VII vias. Recommended Cu thickness is 30 to 35 μm .

203603-005

Figure 5. SKY85736-11 PCB Layout Footprint (Top View)

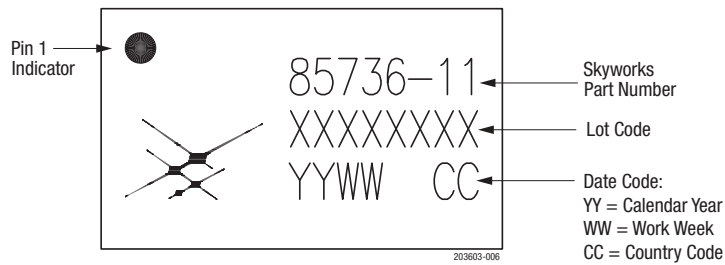
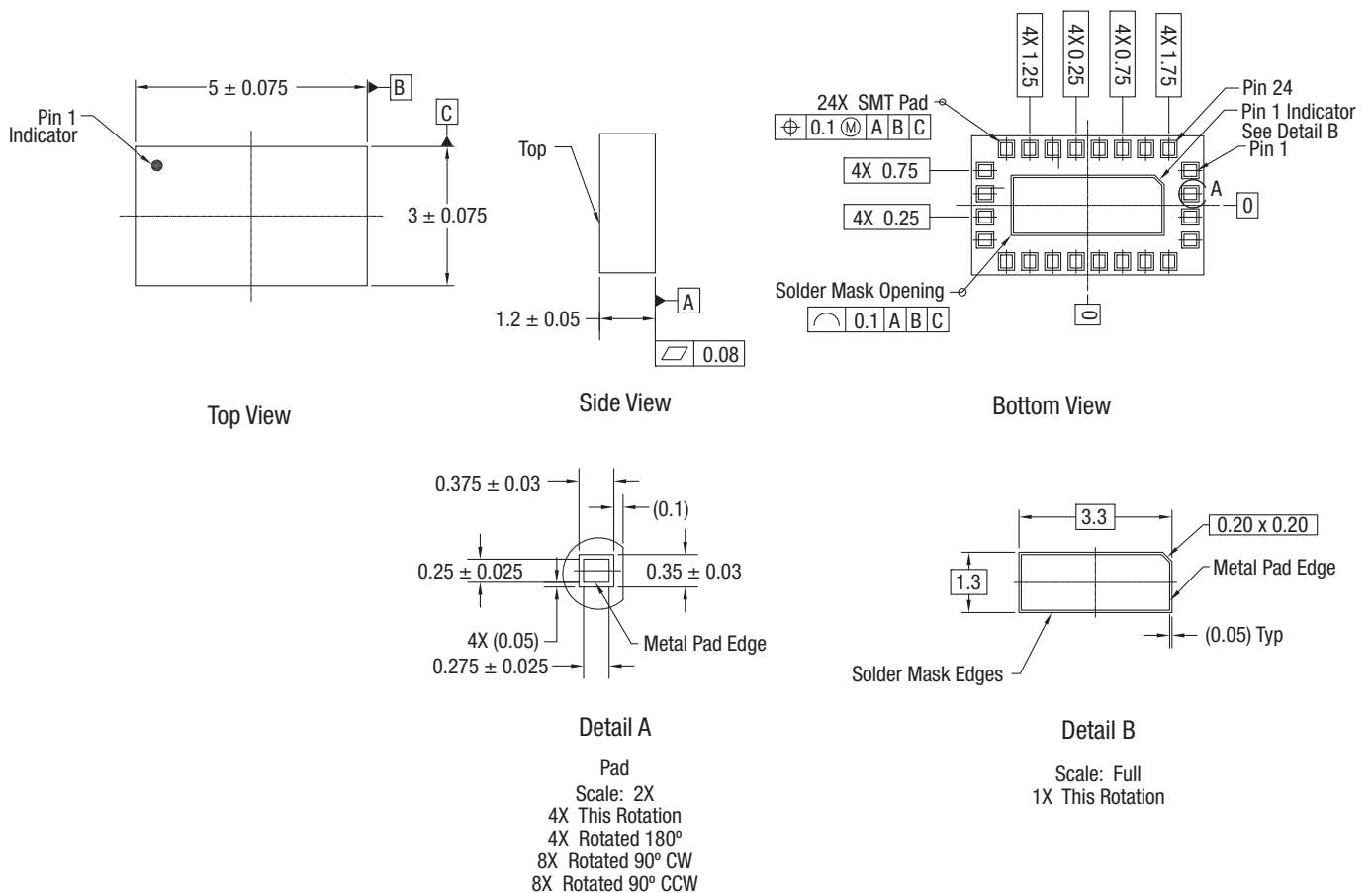


Figure 6. Typical Part Markings (Top View)



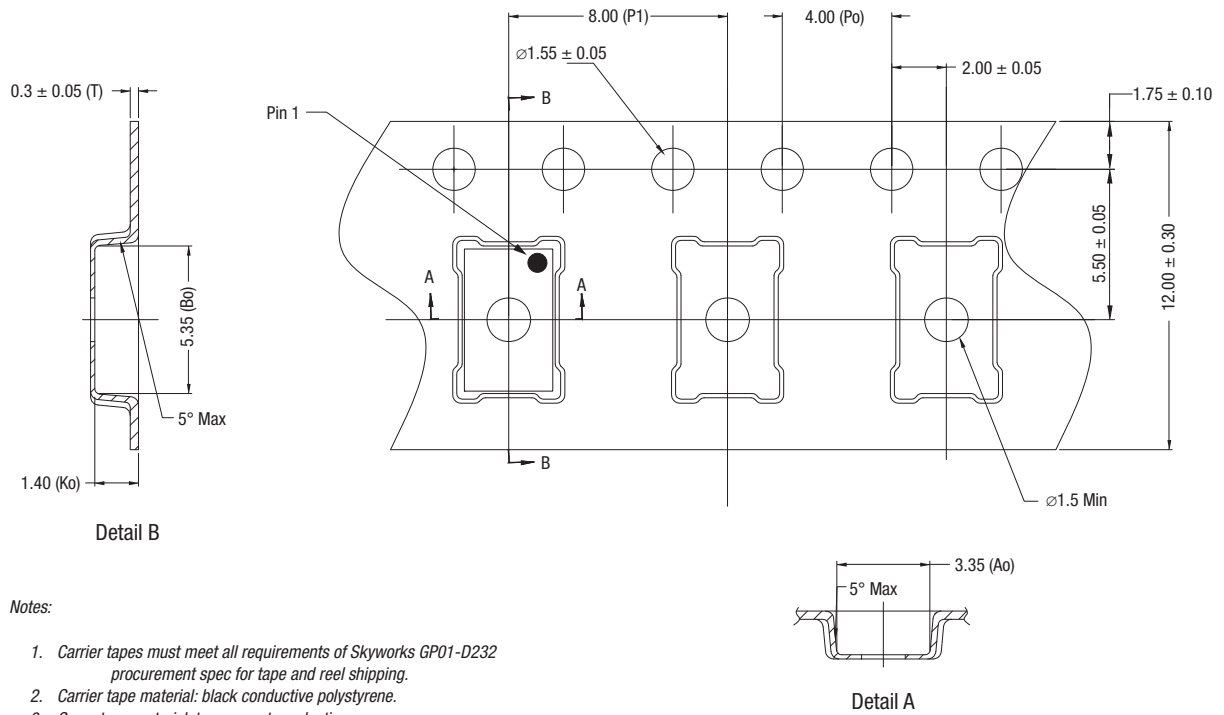
Notes:

1. Dimensions and tolerances in accordance with ASME Y14.5M-1994.
2. All measurements are in millimeters.
3. Primary datum A and seating plane are defined by spherical crowns of the solder balls.
4. Dimension is measured at the maximum solder ball diameter, parallel to primary datum A.

203603-007

Figure 7. SKY85736-11 Package Dimensions

DATA SHEET • SKY85736-11: 5 GHz WLAN FRONT-END MODULE



Notes:

1. Carrier tapes must meet all requirements of Skyworks GP01-D232 procurement spec for tape and reel shipping.
2. Carrier tape material: black conductive polystyrene.
3. Cover tape material: transparent conductive.
4. ESD-surface resistivity is $\leq 1 \times 10^{10}$ Ohms/square per EIA, JEDEC TNR Specification.
5. Po, P1, 10-sprocket hole pitch cumulative tolerance: ± 0.20 mm.
6. Ao and Bo measurement point to be 0.30 mm from bottom pocket.
7. All dimensions are in millimeters.

203603-008

Figure 8. SKY85736-11 Tape and Reel Dimensions

Ordering Information

Model Name	Manufacturing Part Number	Evaluation Board Part Number
SKY85736-11: 5 GHz WLAN Front-End Module	SKY85736-11	SKY85736-EK1

Copyright © 2015-2017 Skyworks Solutions, Inc. All Rights Reserved.

Information in this document is provided in connection with Skyworks Solutions, Inc. (“Skyworks”) products or services. These materials, including the information contained herein, are provided by Skyworks as a service to its customers and may be used for informational purposes only by the customer. Skyworks assumes no responsibility for errors or omissions in these materials or the information contained herein. Skyworks may change its documentation, products, services, specifications or product descriptions at any time, without notice. Skyworks makes no commitment to update the materials or information and shall have no responsibility whatsoever for conflicts, incompatibilities, or other difficulties arising from any future changes.

No license, whether express, implied, by estoppel or otherwise, is granted to any intellectual property rights by this document. Skyworks assumes no liability for any materials, products or information provided hereunder, including the sale, distribution, reproduction or use of Skyworks products, information or materials, except as may be provided in Skyworks Terms and Conditions of Sale.

THE MATERIALS, PRODUCTS AND INFORMATION ARE PROVIDED “AS IS” WITHOUT WARRANTY OF ANY KIND, WHETHER EXPRESS, IMPLIED, STATUTORY, OR OTHERWISE, INCLUDING FITNESS FOR A PARTICULAR PURPOSE OR USE, MERCHANTABILITY, PERFORMANCE, QUALITY OR NON-INFRINGEMENT OF ANY INTELLECTUAL PROPERTY RIGHT; ALL SUCH WARRANTIES ARE HEREBY EXPRESSLY DISCLAIMED. SKYWORKS DOES NOT WARRANT THE ACCURACY OR COMPLETENESS OF THE INFORMATION, TEXT, GRAPHICS OR OTHER ITEMS CONTAINED WITHIN THESE MATERIALS. SKYWORKS SHALL NOT BE LIABLE FOR ANY DAMAGES, INCLUDING BUT NOT LIMITED TO ANY SPECIAL, INDIRECT, INCIDENTAL, STATUTORY, OR CONSEQUENTIAL DAMAGES, INCLUDING WITHOUT LIMITATION, LOST REVENUES OR LOST PROFITS THAT MAY RESULT FROM THE USE OF THE MATERIALS OR INFORMATION, WHETHER OR NOT THE RECIPIENT OF MATERIALS HAS BEEN ADVISED OF THE POSSIBILITY OF SUCH DAMAGE.

Skyworks products are not intended for use in medical, lifesaving or life-sustaining applications, or other equipment in which the failure of the Skyworks products could lead to personal injury, death, physical or environmental damage. Skyworks customers using or selling Skyworks products for use in such applications do so at their own risk and agree to fully indemnify Skyworks for any damages resulting from such improper use or sale.

Customers are responsible for their products and applications using Skyworks products, which may deviate from published specifications as a result of design defects, errors, or operation of products outside of published parameters or design specifications. Customers should include design and operating safeguards to minimize these and other risks. Skyworks assumes no liability for applications assistance, customer product design, or damage to any equipment resulting from the use of Skyworks products outside of stated published specifications or parameters.

Skyworks and the Skyworks symbol are trademarks or registered trademarks of Skyworks Solutions, Inc., in the United States and other countries. Third-party brands and names are for identification purposes only, and are the property of their respective owners. Additional information, including relevant terms and conditions, posted at www.skyworksinc.com, are incorporated by reference.