

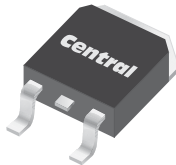
CSHDD16-40C CSHDD16-100C
 CSHDD16-60C CSHDD16-200C

**SURFACE MOUNT
 DUAL, COMMON CATHODE
 SILICON SCHOTTKY RECTIFIERS
 16 AMP, 40 THRU 200 VOLTS**



www.centrasemi.com

D²PAK!
 SUPER POWER



D²PAK CASE

DESCRIPTION:

The CENTRAL SEMICONDUCTOR CSHDD16-40C Series types are silicon Schottky rectifiers designed for surface mount applications requiring a low forward voltage drop. To order devices on 24mm Tape and Reel (800/13" Reel), add TR13 suffix to part number.

MARKING:

CSHDD16-40C: CSHDD16-40C or CSHDD16-40
CSHDD16-60C: CSHDD16-60C or CSHDD16-60
CSHDD16-100C: CSHDD16-100C or CSHDD16-100
CSHDD16-200C: CSHDD16-200C or CSHDD16-200

FEATURES:

- High reliability
- Low forward voltage
- High current capability
- High surge capacity
- UL flammability classification 94V-O
- Superior lot to lot consistency
- Low power loss, high efficiency
- High voltage

MAXIMUM RATINGS: (T_C=25°C unless otherwise noted)

	SYMBOL	CSHDD16				UNITS
		-40C	-60C	-100C	-200C	
Peak Repetitive Reverse Voltage	V _{RRM}	40	60	100	200	V
DC Blocking Voltage	V _R	40	60	100	200	V
RMS Reverse Voltage	V _{R(RMS)}	28	42	70	140	V
Average Forward Current (T _C =75°C)	I _O			16		A
Peak Forward Surge Current, tp=8.3ms	I _{FSM}			150		A
Operating and Storage Junction Temperature	T _J , T _{stg}		-65 to +175			°C
Typical Thermal Resistance	θ _{JC}		2.0			°C/W
Typical Thermal Resistance	θ _{JA}		50			°C/W

ELECTRICAL CHARACTERISTICS PER DIODE: (T_C=25°C unless otherwise noted)

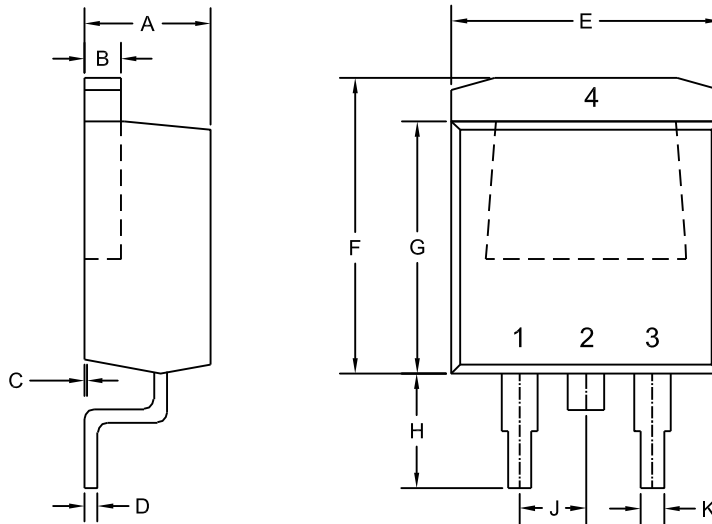
SYMBOL	TEST CONDITIONS	CSHDD16								UNITS
		-40C		-60C		-100C		-200C		
		TYP	MAX	TYP	MAX	TYP	MAX	TYP	MAX	
I _R	V _R =Rated V _{RRM}	-	50	-	50	-	50	-	50	µA
I _R	V _R =Rated V _{RRM} , T _C =100°C	-	20	-	20	-	20	-	20	mA
V _F	I _F =8.0A	-	0.7	-	0.75	-	0.8	-	0.9	V
V _F	I _F =16A	-	0.84	-	0.95	-	1.10	-	1.2	V
C _J	V _R =4.0V, f=1.0MHz	300	-	300	-	300	-	300	-	pF

CSHDD16-40C CSHDD16-100C
 CSHDD16-60C CSHDD16-200C

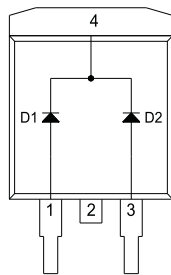


**SURFACE MOUNT
 DUAL, COMMON CATHODE
 SILICON SCHOTTKY RECTIFIERS
 16 AMP, 40 THRU 200 VOLTS**

D²PAK CASE - MECHANICAL OUTLINE



R2



LEAD CODE:
 1) Anode D1
 2) Cathode D1, D2
 3) Anode D2
 4) Cathode D1, D2
 Pin 2 is Common to the Tab (4)

SYMBOL	DIMENSIONS			
	INCHES		MILLIMETERS	
	MIN	MAX	MIN	MAX
A	0.163	0.189	4.14	4.80
B	0.045	0.055	1.14	1.40
C	0.000	0.010	0.00	0.25
D	0.012	0.028	0.30	0.70
E	0.386	0.409	9.80	10.40
F	0.378	0.417	9.60	10.60
G	0.335	0.358	8.50	9.10
H	0.197	0.236	5.00	6.00
J	0.093	0.108	2.35	2.75
K	0.030	0.035	0.75	0.90

D2PAK (REV: R2)

R6 (14-November 2012)