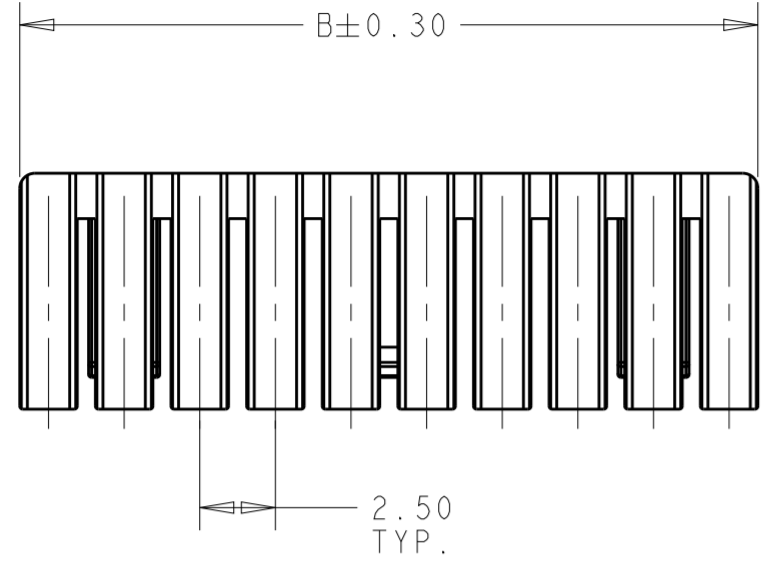


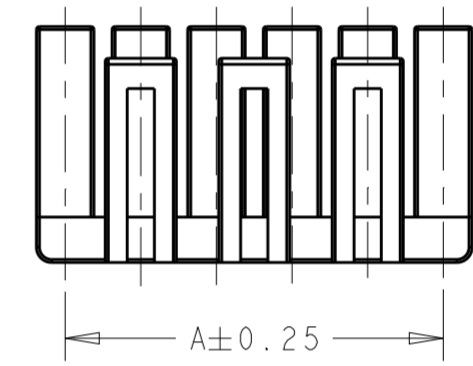
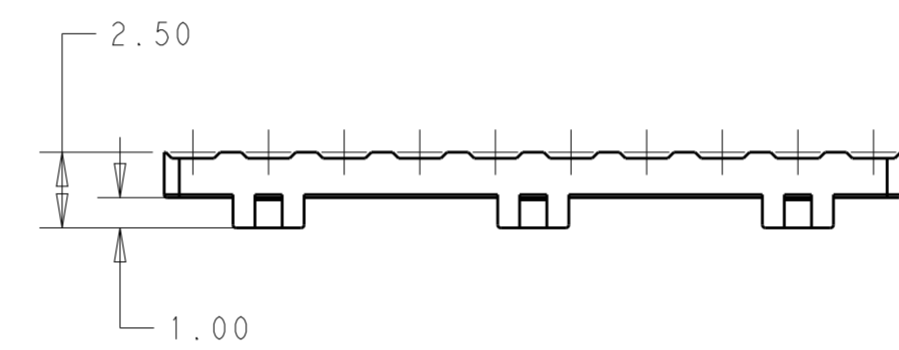
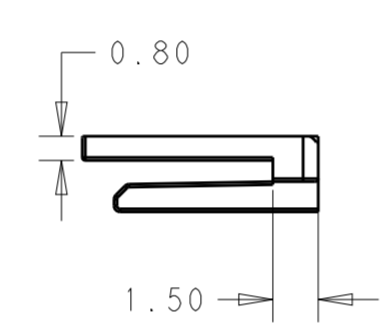
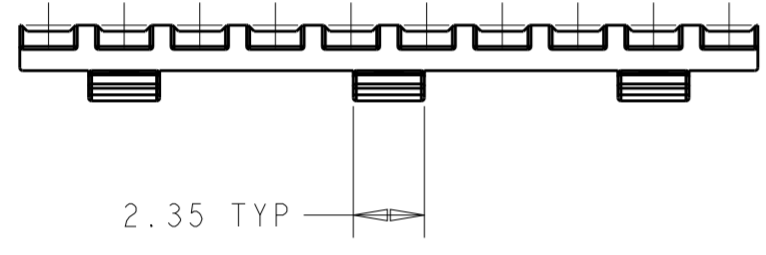
THIS DRAWING IS UNPUBLISHED. RELEASED FOR PUBLICATION
 © COPYRIGHT copyright.d8te- ALL RIGHTS RESERVED.

REVISIONS				
P	LTR	DESCRIPTION	DATE	APVD
	A1	REVISED PER ECR-16-013589	27SEP2016	NK DC

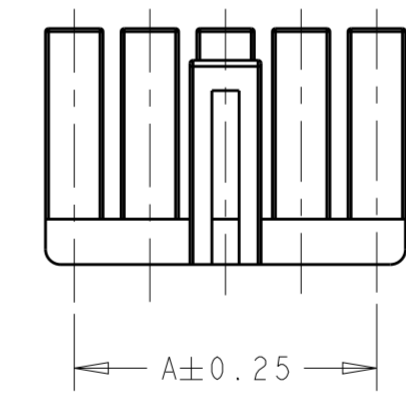
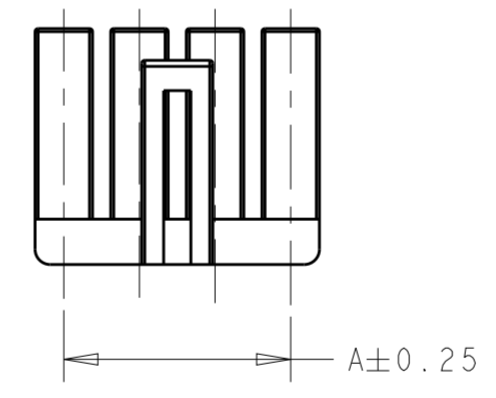
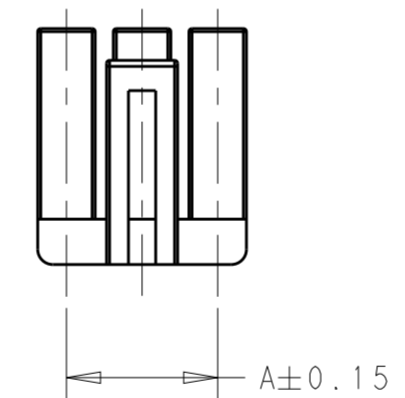
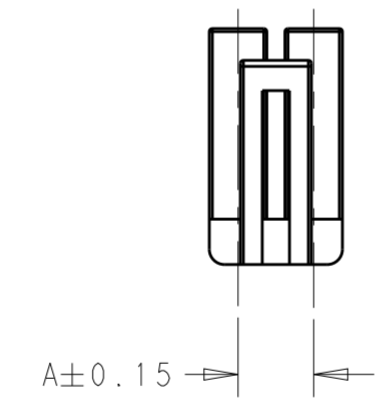
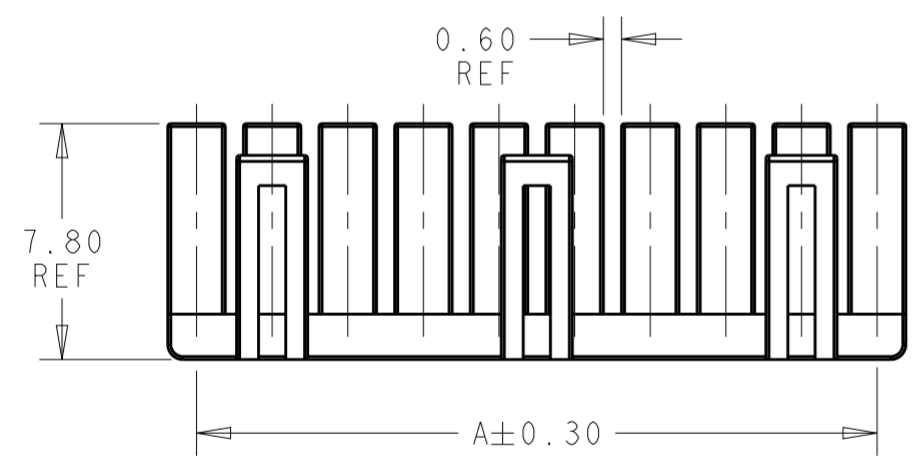


1 MATERIAL:
 HOUSING - NYLON 66 GLASS FILLED
 COLOR - BLACK

2 MATES WITH TPA HOUSING 1969442-()



6 POSITION
 1969443-6



7 THRU 20 POSITION
 1969443-7 THRU -20

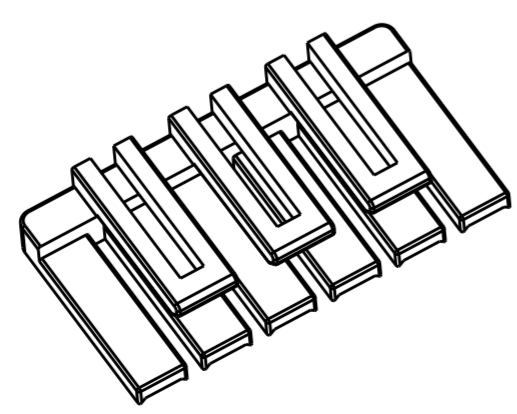
2 POSITION
 1969443-2

3 POSITION
 1969443-3

4 POSITION
 1969443-4

5 POSITION
 1969443-5

20	49.4	47.5	2-1969443-0
19	46.9	45.0	1-1969443-9
18	44.4	42.5	1-1969443-8
17	41.9	40.0	1-1969443-7
16	39.4	37.5	1-1969443-6
15	36.9	35.0	1-1969443-5
14	34.4	32.5	1-1969443-4
13	31.9	30.0	1-1969443-3
12	29.4	27.5	1-1969443-2
11	26.9	25.0	1-1969443-1
10	24.4	22.5	1-1969443-0
9	21.9	20.0	1969443-9
8	19.4	17.5	1969443-8
7	16.9	15.0	1969443-7
6	14.4	12.5	1969443-6
5	11.9	10.0	1969443-5
4	9.4	7.5	1969443-4
3	6.9	5.0	1969443-3
2	4.4	2.5	1969443-2
POS	DIM B	DIM A	PART NUMBER



THIS DRAWING IS A CONTROLLED DOCUMENT.

DIMENSIONS: mm	TOLERANCES UNLESS OTHERWISE SPECIFIED: 0 PLC ± 1 PLC ± 2 PLC ±0.13 3 PLC ± 4 PLC ± ANGLES ± FINISH -	DWN 01 JUN 2016 NAGALAKSHMI K CHK 01 JUN 2016 CHIARELLI DAVIDE APVD 01 JUN 2016 CHIARELLI DAVIDE	NAME ECONOMY POWER 2.5 TPA RETAINER
MATERIAL 1		PRODUCT SPEC 108-2418 APPLICATION SPEC 114-13315 WEIGHT -	SIZE A200779
		CUSTOMER DRAWING	RESTRICTED TO -

TE Connectivity
 SCALE 4:1 SHEET 1 OF 1 REV A1