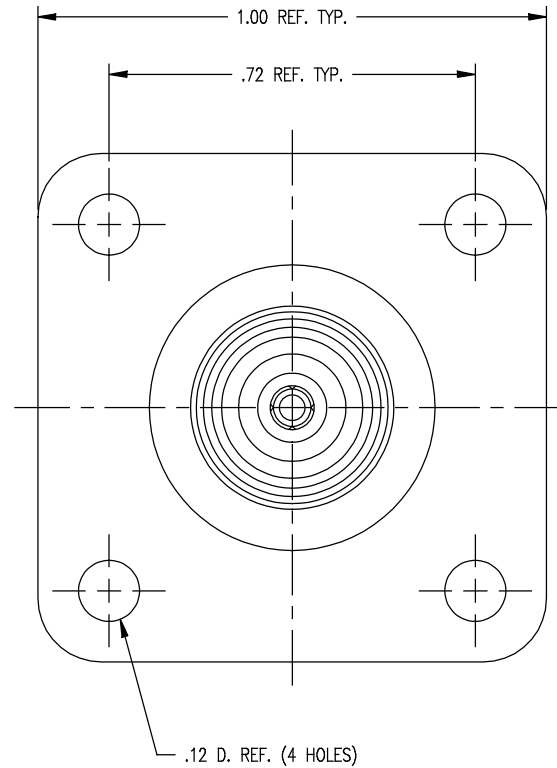
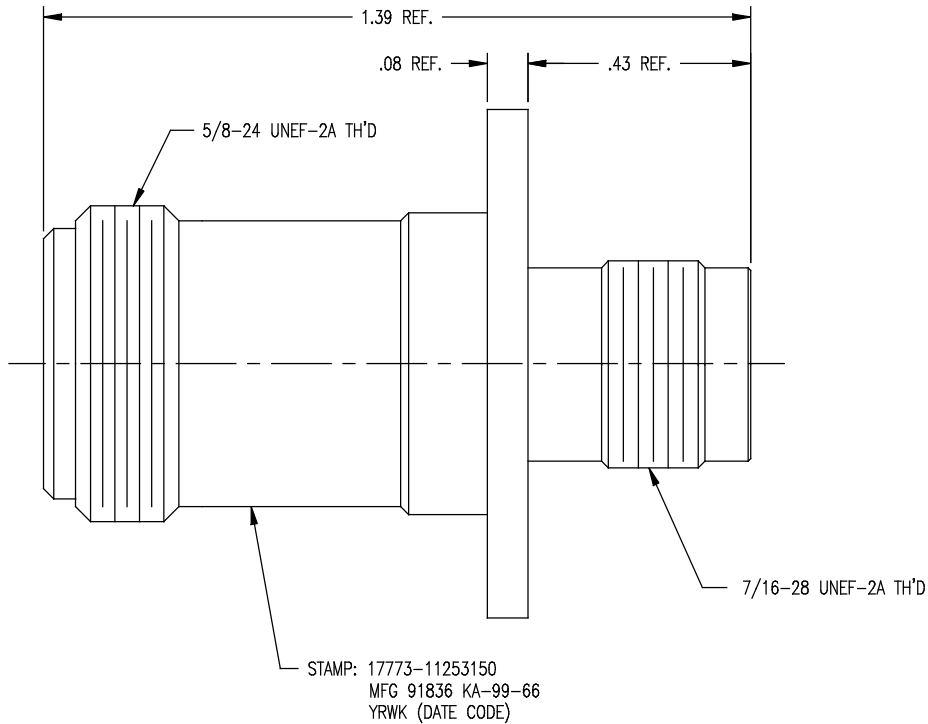


GSD



KA-99-66

REVISIONS

ISSUE	CHANGES
4	CN 24158 C JEP 01/31/83
5	CN 37893 E TML 09/13/99

KA9966S

SCALE 4:1

APPROX SURFACE AREA

USED ON

REF: ARMY ORDINANCE 11253150 REV. A

ADAPTER, N-TNC, PANEL, F-F

DRAWN JCA DATE 04/06/93

DESIGN MJB DATE 04/06/93

APPR. DATE

KINGS
 ELECTRONICS CO., INC.
 ROCK HILL, SOUTH CAROLINA 29730

KA-99-66

NOTES:

- INTERFACE PER MIL-STD-348, FIG. 304-2 AND FIG. 313-2.
- MATERIALS:
 INSULATORS-TEFLON, ASTM-D-1457
 CENTER CONTACT-BER. COP., ASTM-B-196
 ALL OTHER PARTS-BRASS, ASTM-B16
- FINISHES:
 CENTER CONTACT & C-RING-GOLD PLATE PER MIL-G-45204
 ALL OTHER METAL PARTS-SILVER PLATE PER QQ-S-365
- ELECTRIAL CHARACTERISTICS:
 NOMINAL IMPEDANCE-50 OHMS
 WORKING VOLTAGE-500 VRMS
 FREQUENCY RANGE-DC TO 11 GHz

GSD