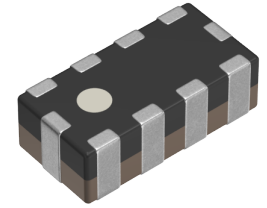


MEA1608LD100TA0G



Applications	Commercial Grade
Feature	For Signal Line 4 in 1 Array
Series	MEA
Status	Production



Size	
Length(L)	1.60mm ±0.10mm
Width(W)	0.80mm ±0.10mm
Thickness(T)	0.60mm ±0.10mm

Electrical Characteristics	
Insertion Loss [Typ.]	20dB (900MHz to 2.1GHz)
Cut-Off Frequency [Typ.]	500MHz
Rated Voltage [Max.]	6.3V
Rated Current [Max.]	50mA
DC Resistance (Max.)	
Rated Capacitance [Typ.]	10pF

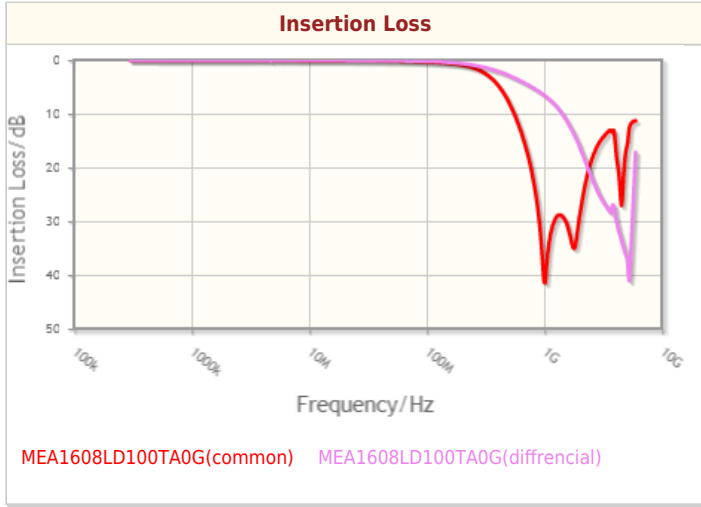
Other	
Circuit Type	L Type
Transmission Line	Differential
Operating Temp. Range	-40 to 85°C
Soldering Method	Reflow Iron Soldering
AEC-Q200	No
Packing	Embossed (Plastic)Taping [180mm Reel]
Package Quantity	4000pcs
Weight	0.0035g

! Images are for reference only and show exemplary products.
! This PDF document was created based on the data listed on the TDK Corporation website.
! All specifications are subject to change without notice.

MEA1608LD100TA0G



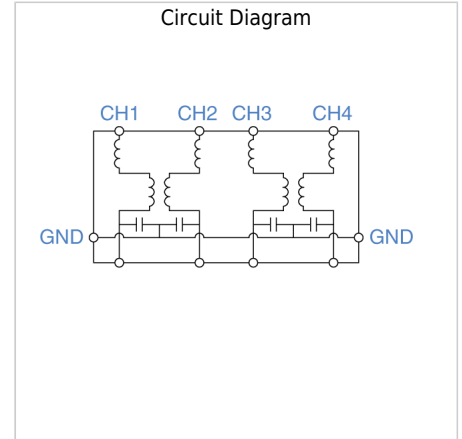
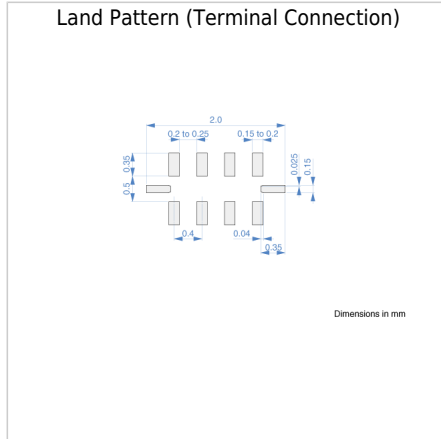
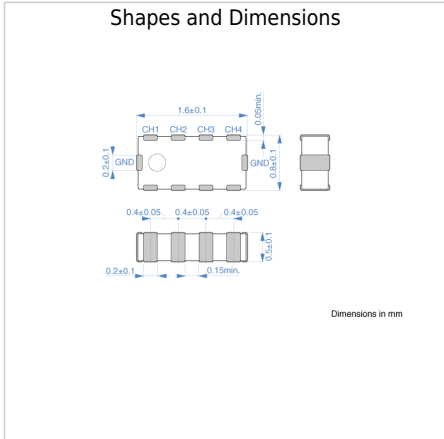
Characteristic Graphs(This is reference data, and does not guarantee the products characteristics.)



! Images are for reference only and show exemplary products.
! This PDF document was created based on the data listed on the TDK Corporation website.
! All specifications are subject to change without notice.



Associated Images



! Images are for reference only and show exemplary products.
! This PDF document was created based on the data listed on the TDK Corporation website.
! All specifications are subject to change without notice.