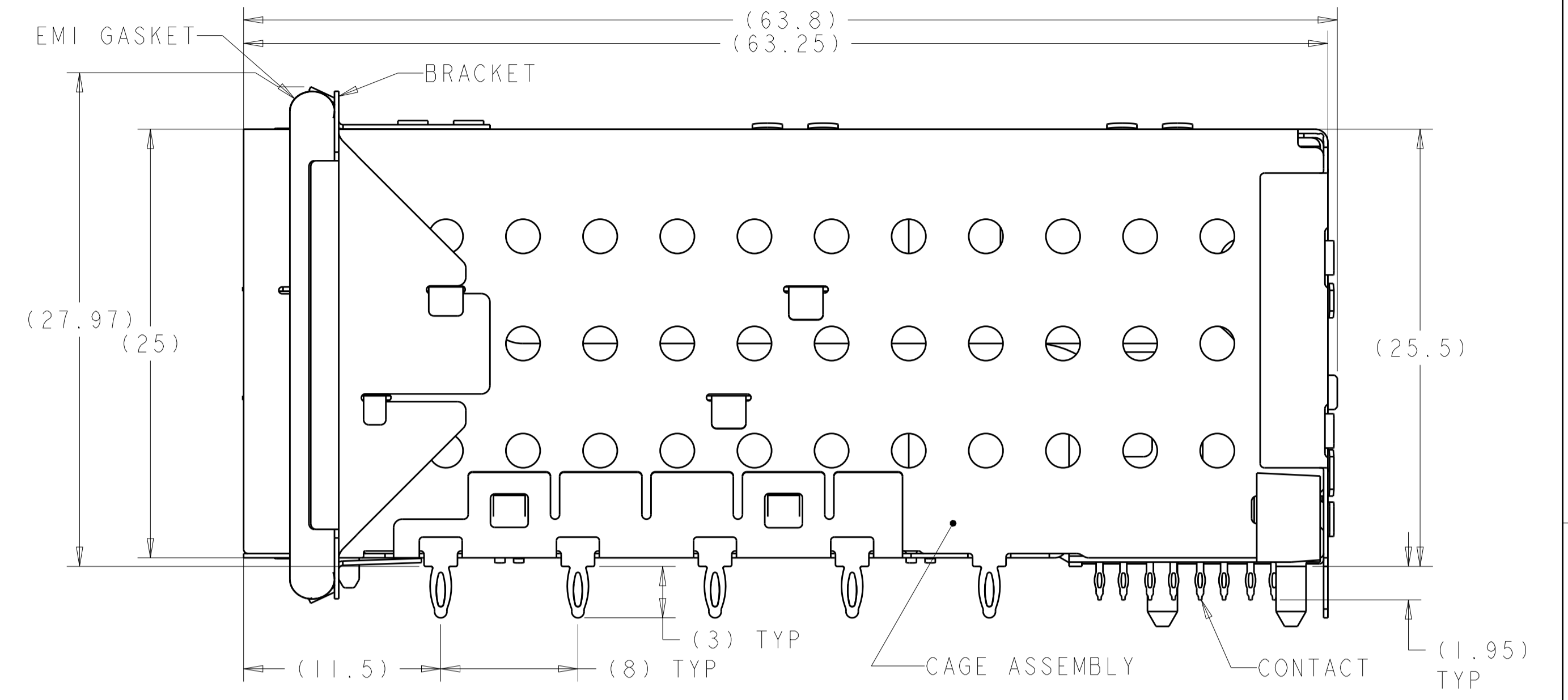
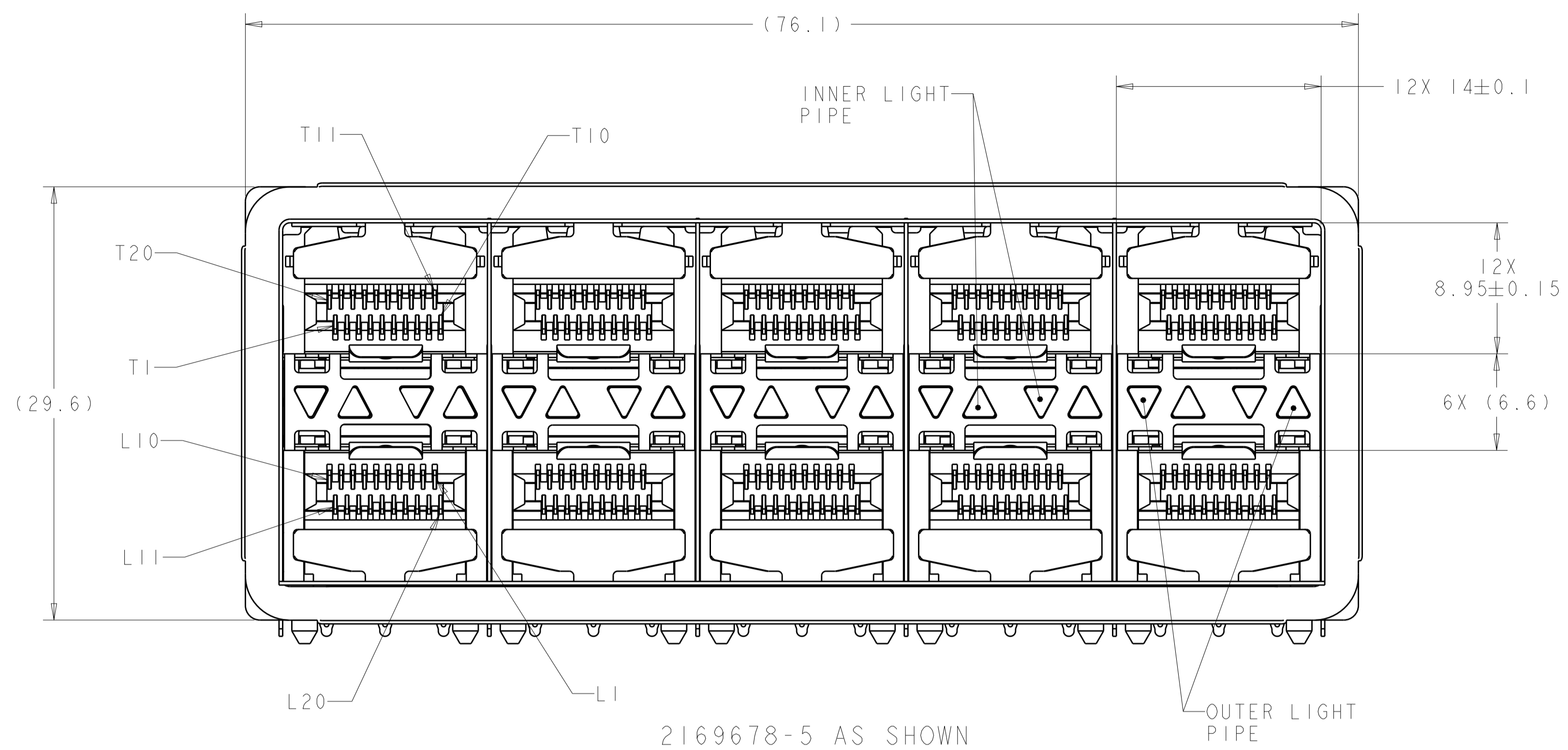
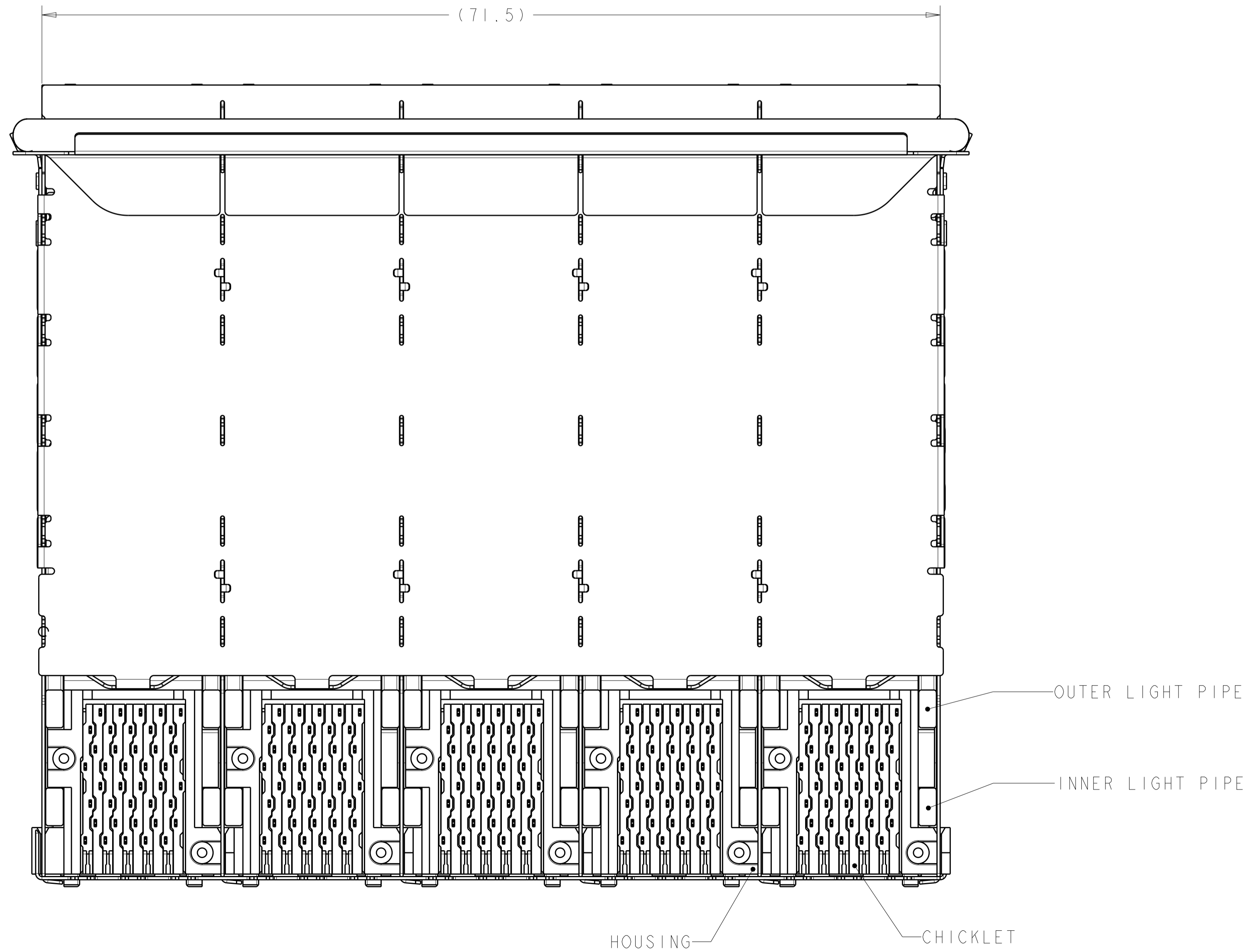


REVISIONS				
P.	LTN.	DESCRIPTION	DATE	APVD.
B		REVISED PER ECO-15-017922	01APR2016	AP RP



- △ MATERIALS:
 CAGE ASSEMBLY- NICKEL SILVER ALLOY PER ASTM B 122.
 BRACKET- STAINLESS STEEL.
 EMI GASKET- PLATED FILLED SILICONE.
 HOUSING- BLACK LCP, UL 94V-0 RATED.
 CHICKLET- BLACK LCP, UL 94V-0 RATED.
 LIGHT PIPE- POLYCARBONATE, CLEAR.
 INSERT - (FOR LIGHT PIPE PART NUMBERS ONLY) - LCP, BLACK, UL 94V-0.
 CONTACT- COPPER ALLOY.

- △ DATUM AND BASIC DIMENSIONS ESTABLISHED BY CUSTOMER.
- 3. MINIMUM PCB THICKNESS OF 1.5.
- △ CONTACT FINISH- CONFORMS TO THE REQUIREMENTS OF TYCO ELECTRONICS PRODUCT SPECIFICATION 108-2331, BASED ON EIA/ECA-364-1000.01A, (CONTROLLED ENVIRONMENT APPLICATIONS) ON MATING INTERFACE, TIN-LEAD ON NEEDLE EYE.
- △ CONTACT FINISH- CONFORMS TO THE REQUIREMENTS OF TYCO ELECTRONICS PRODUCT SPECIFICATION 108-2331, BASED ON EIA/ECA-364-1000.01A, (CONTROLLED ENVIRONMENT APPLICATIONS) ON MATING INTERFACE, TIN ON NEEDLE EYE.
- △ FOR HOLE SIZE AND PLATINGS, SEE APPLICATION SPEC 114-13219.
- △ THE ENTIRE AREA OF THE CONNECTOR FOOTPRINT, INDICATED BY THE DASHED LINE, TO BE CONSIDERED THE KEEPOUT AREA FOR COMPONENTS AND SIGNAL TRACES, TOP SIDE ONLY. TOP SIDE TRACES ALLOWED WITHIN CONNECTOR HOLE PATTERN.
- △ LIGHT PIPE PAD LAYOUT IS FOR 0805 LOW PROFILE LED PACKAGE WITH A HEIGHT OF 0.8mm.
- △ ADDITIONAL COMPONENT LOCATED WITHIN LATCHPLATE FOR EMISUPPRESSION



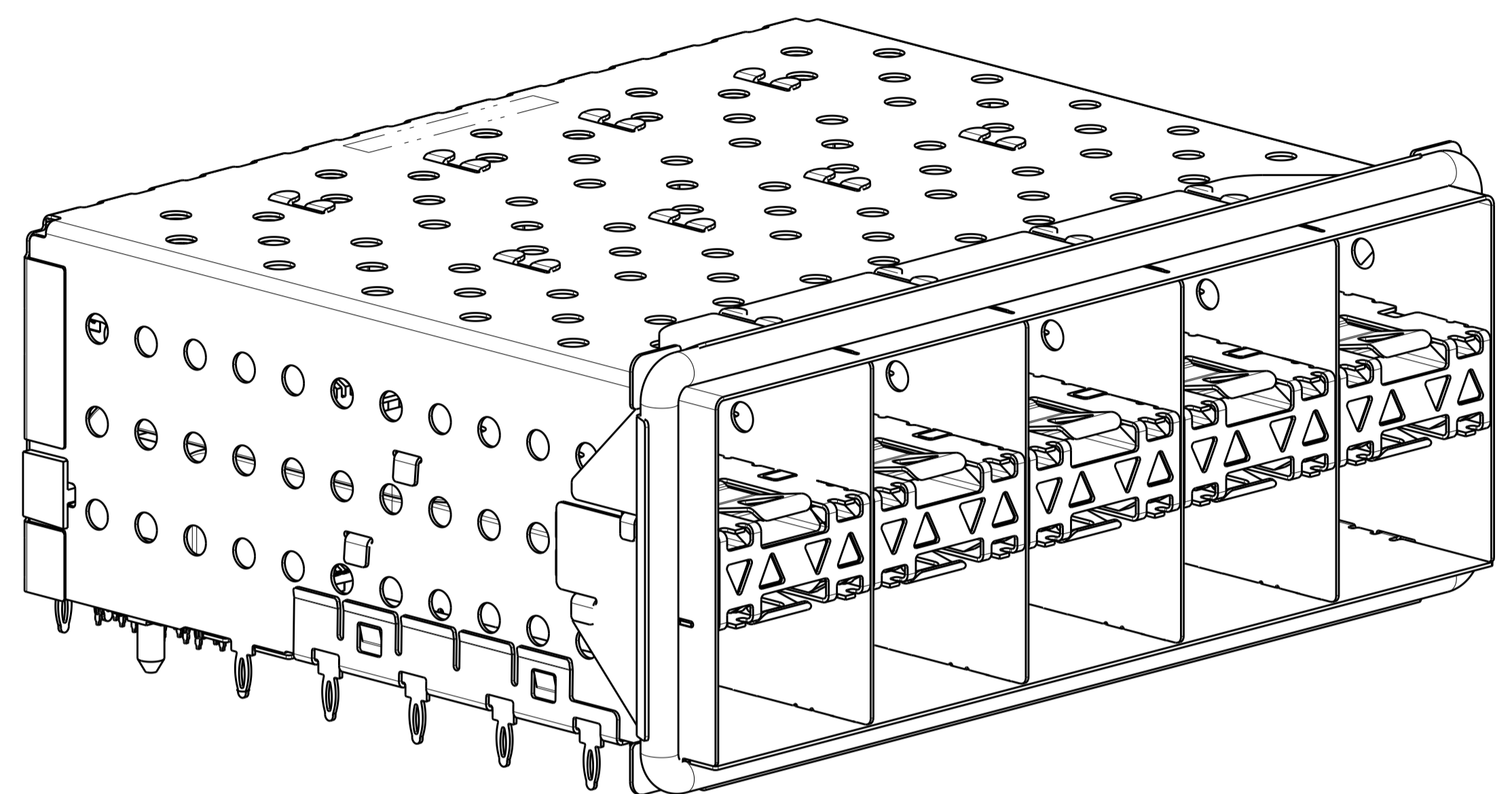
ENHANCED EMI FINISH	DESCRIPTION	PART NUMBER
YES △9	NO LIGHT PIPES	1-2169678-8
	OUTER 2 LIGHT PIPES	1-2169678-7
	INNER 2 LIGHT PIPES	1-2169678-6
	4 LIGHT PIPES	1-2169678-5
NO	NO LIGHT PIPES	2169678-8
	OUTER 2 LIGHT PIPES	2169678-7
	INNER 2 LIGHT PIPES	2169678-6
SUPERSEDED	4 LIGHT PIPES	2169678-5
	NO LIGHT PIPES	2169678-4
	OUTER 2 LIGHT PIPES	2169678-3
	INNER 2 LIGHT PIPES	2169678-2
	4 LIGHT PIPES	2169678-1

THIS DRAWING IS A CONTROLLED DOCUMENT. DIMENSIONS: mm. TOLERANCES UNLESS OTHERWISE SPECIFIED: 0 PLC ±0.10, 1 PLC ±0.10, 2 PLC ±0.10, 3 PLC ±0.10, 4 PLC ±0.10, ANGLES ±°. MATERIAL: △1. FINISH: △4 △5.

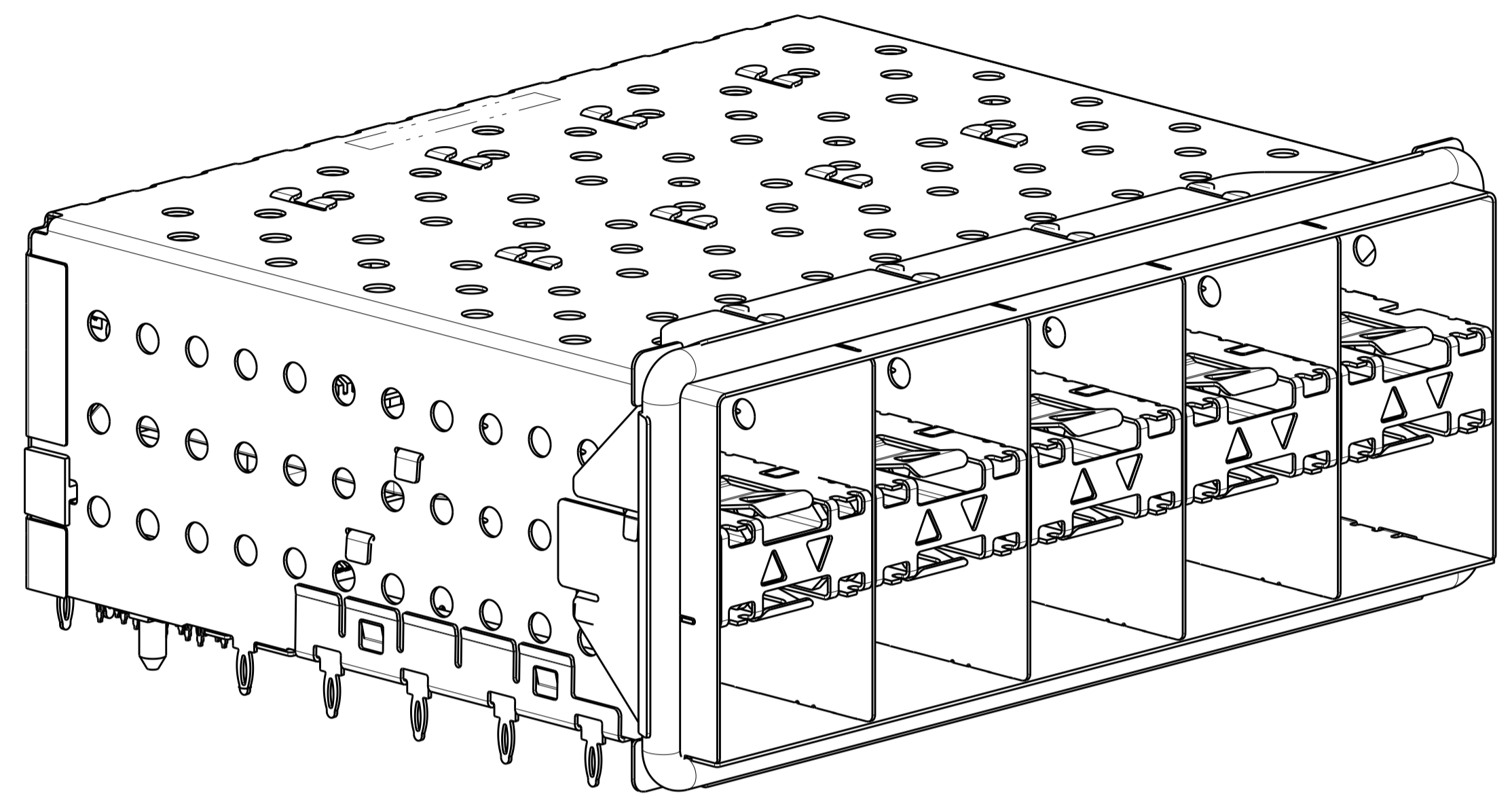
OWN: C. VALENTINI, DEC2010. CHK: P. RECCE, DEC2010. APVD: P. RECCE, DEC2010. NAME: CAGE AND PT CONNECTOR ASSEMBLY, WITH EMI GASKET, PRESS FIT, 2X5, STACKED SFP+. PRODUCT SPEC: 108-2331. APPLICATION SPEC: 114-13219. WEIGHT: -. SIZE: CAGE CODE DRAWING NO: A100779. CUSTOMER DRAWING. SCALE: 4:1. SHEET 1 OF 4. REV B.

STE TE Connectivity

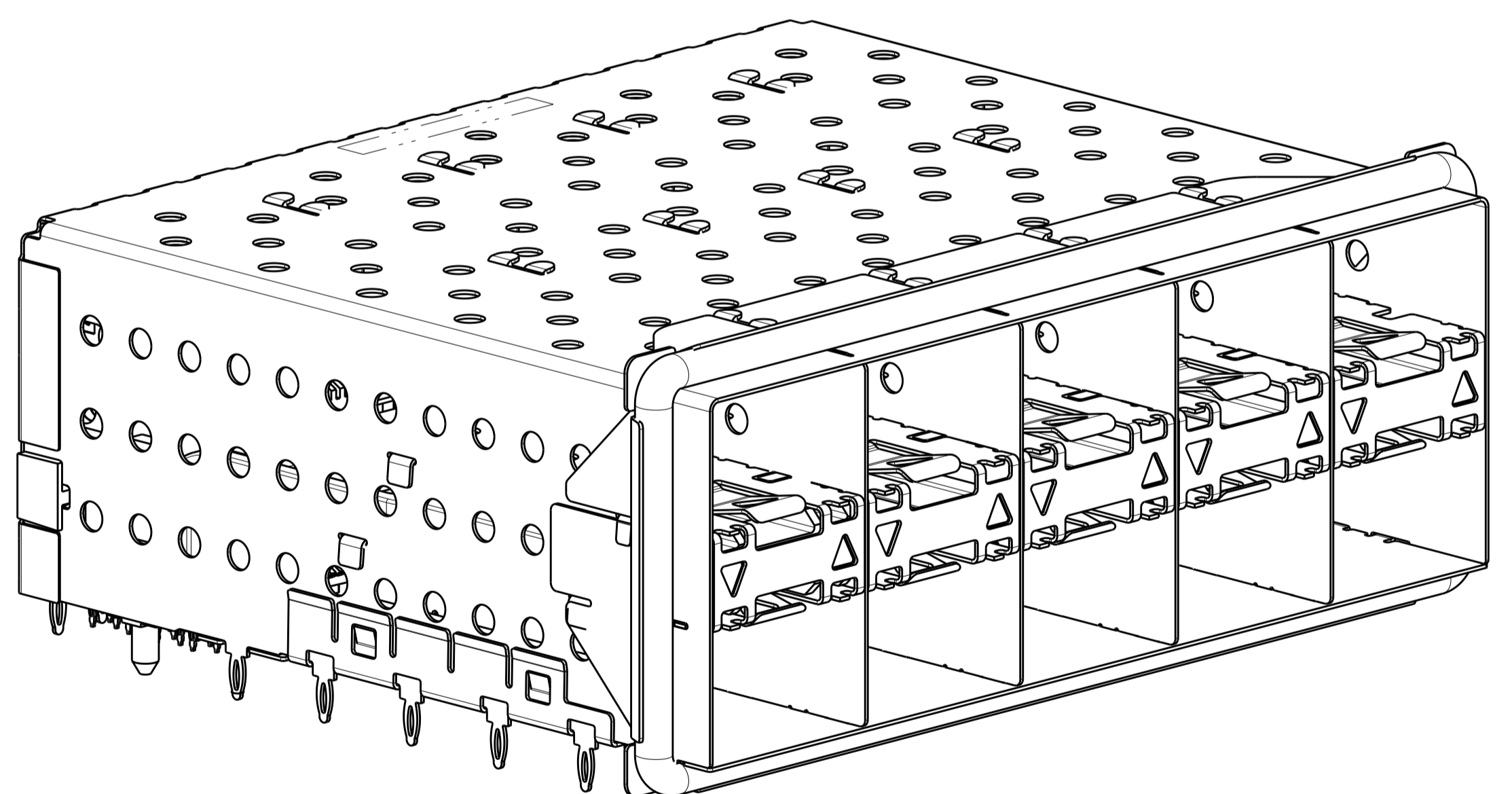
REVISIONS				
P.	LTN	DESCRIPTION	DATE	APVD
-	-	SEE SHEET 1	-	-



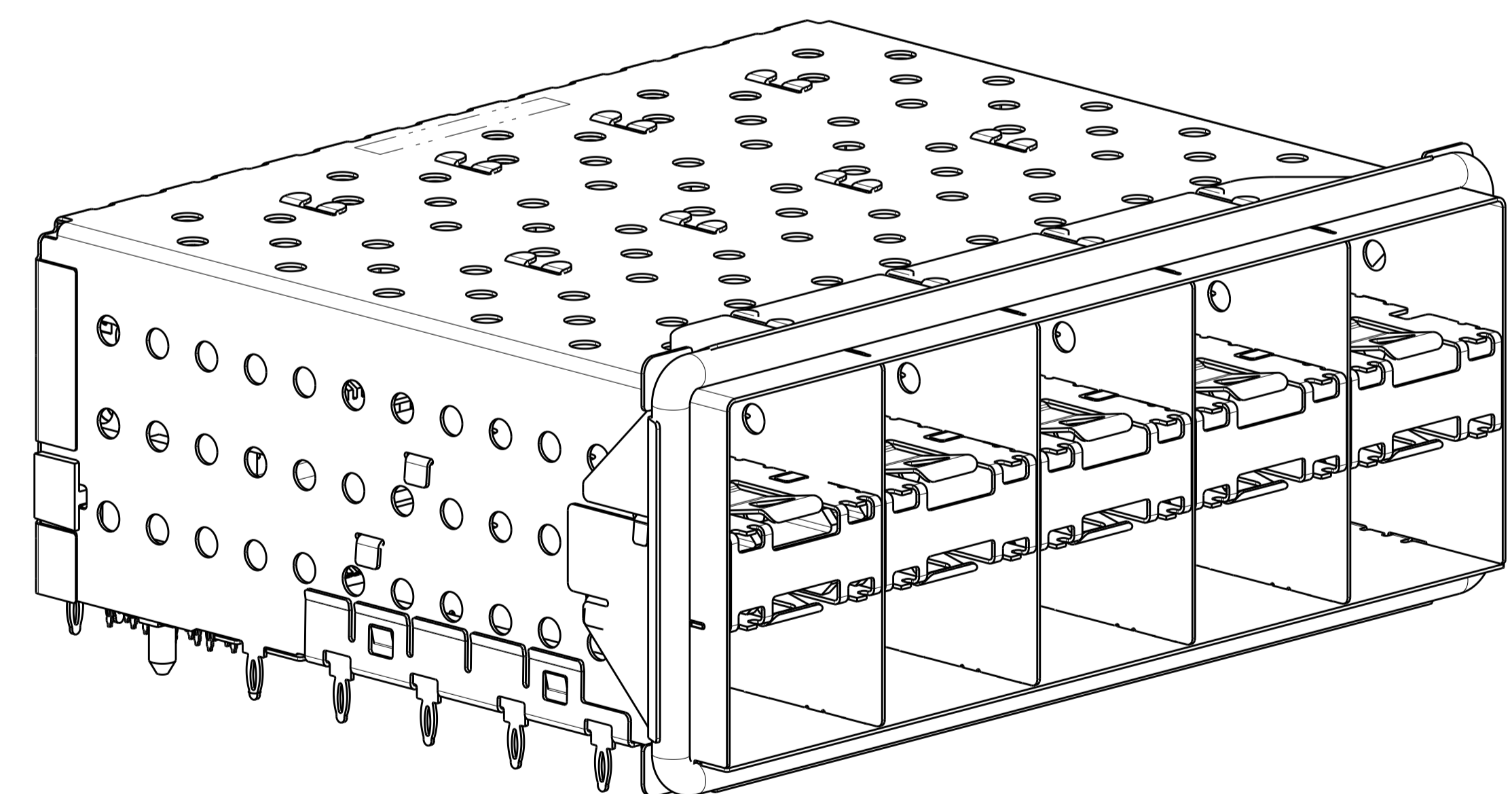
2169678-5 AND 1-2169678-5
 SCALE 3:1



2169678-6 AND 1-2169678-6
 SCALE 3:1



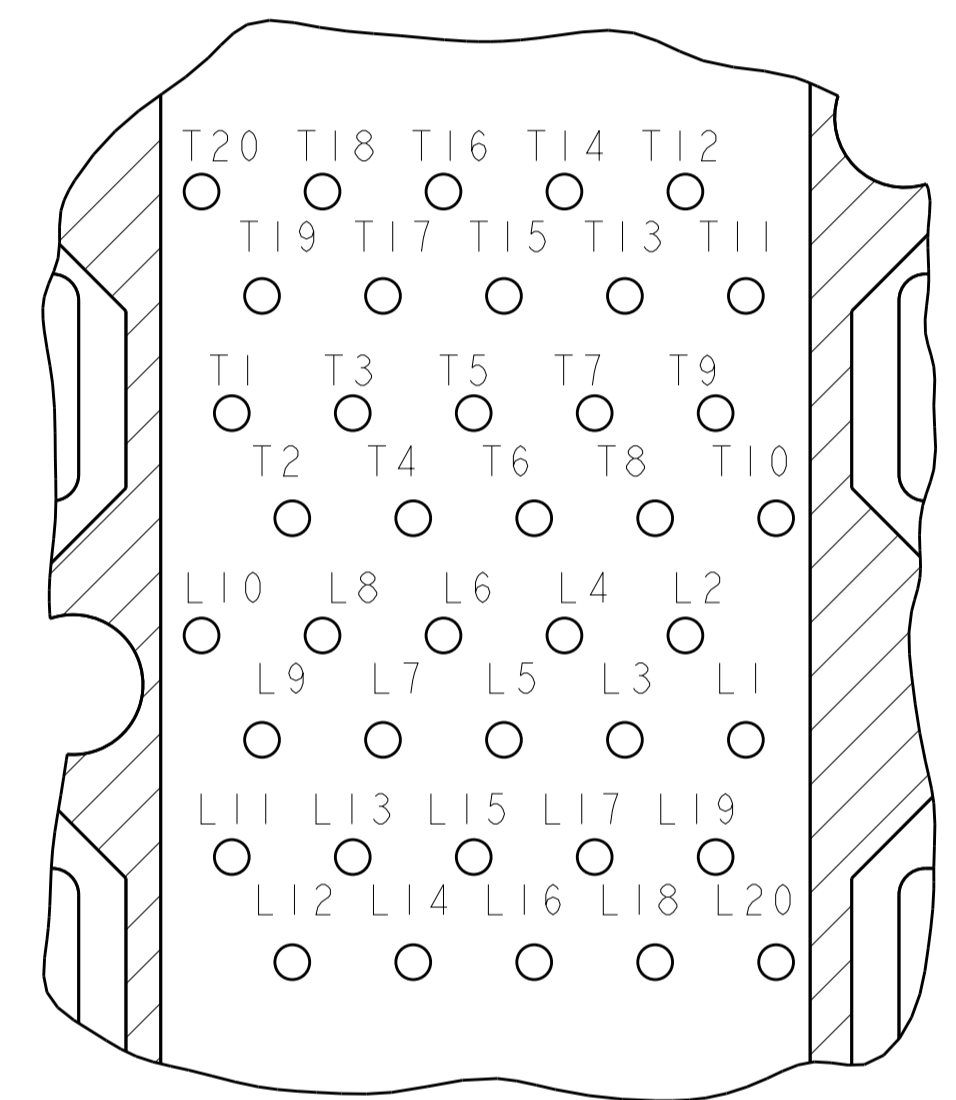
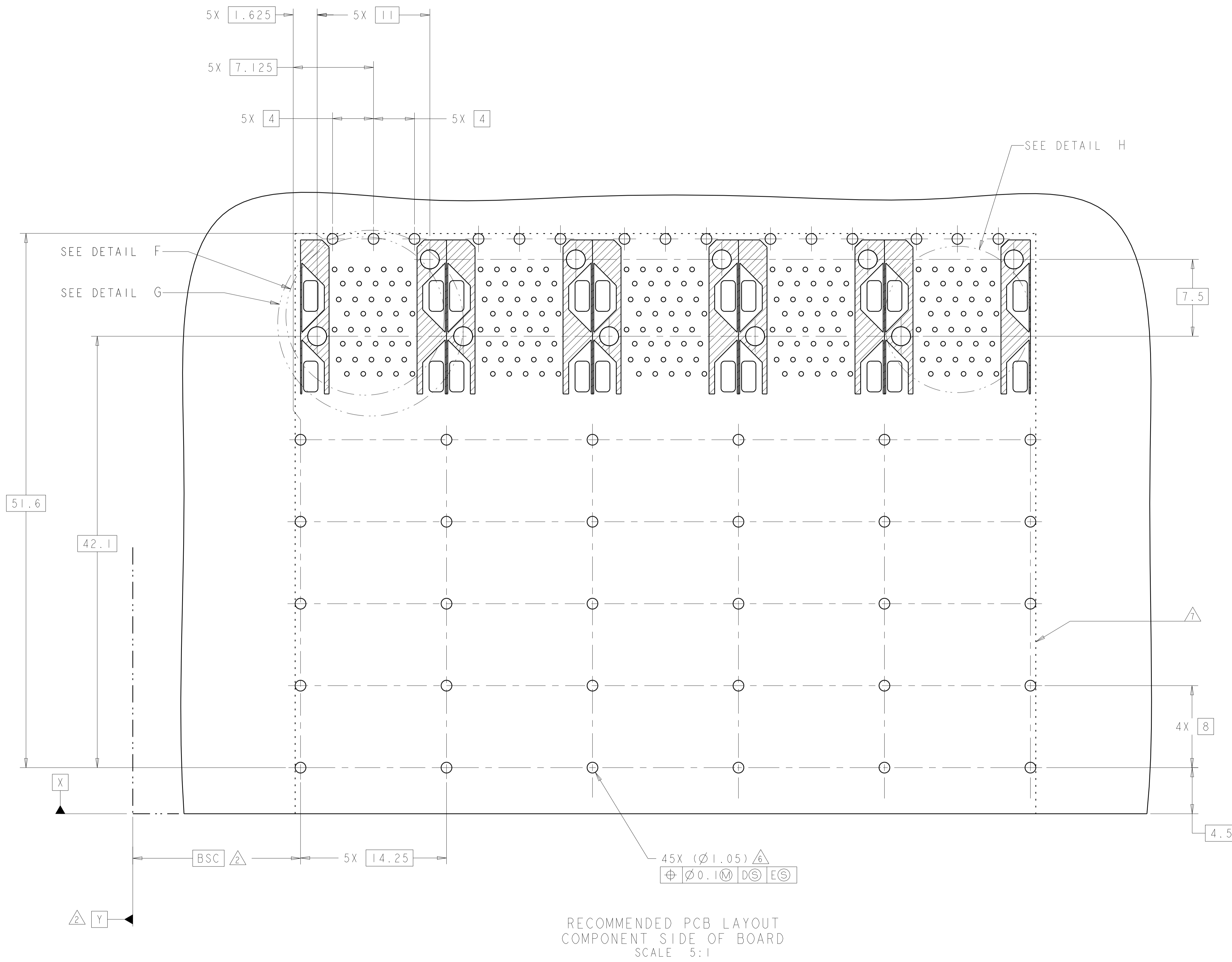
2169678-7 AND 1-2169678-7
 SCALE 3:1



2169678-8 AND 1-2169678-8
 SCALE 3:1

THIS DRAWING IS A CONTROLLED DOCUMENT.		DWN: C. VALENTINE 10DEC2010 CHK: P. RECCE 10DEC2010 APVD: P. RECCE 10DEC2010	TE Connectivity
DIMENSIONS: mm	TOLERANCES UNLESS OTHERWISE SPECIFIED: 0 PLC ±0.10 1 PLC ±0.10 2 PLC ±0.10 3 PLC ±0.10 4 PLC ±0.10 ANGLES ±°	NAME: CAGE AND PT CONNECTOR ASSEMBLY, WITH EMI GASKET, PRESS FIT, 2X5, STACKED SFP+ PRODUCT SPEC: 108-2331 APPLICATION SPEC: 114-13219	
MATERIAL: FINISH	WEIGHT: 114-13219 CUSTOMER DRAWING	SIZE: A100779 CAGE CODE: C=2169678 SCALE: 4:1 SHEET: 2 OF 4 REV: B	RESTRICTED TO:

REVISIONS				
P.	LTM	DESCRIPTION	DATE	APVD
-	-	SEE SHEET 1	-	-

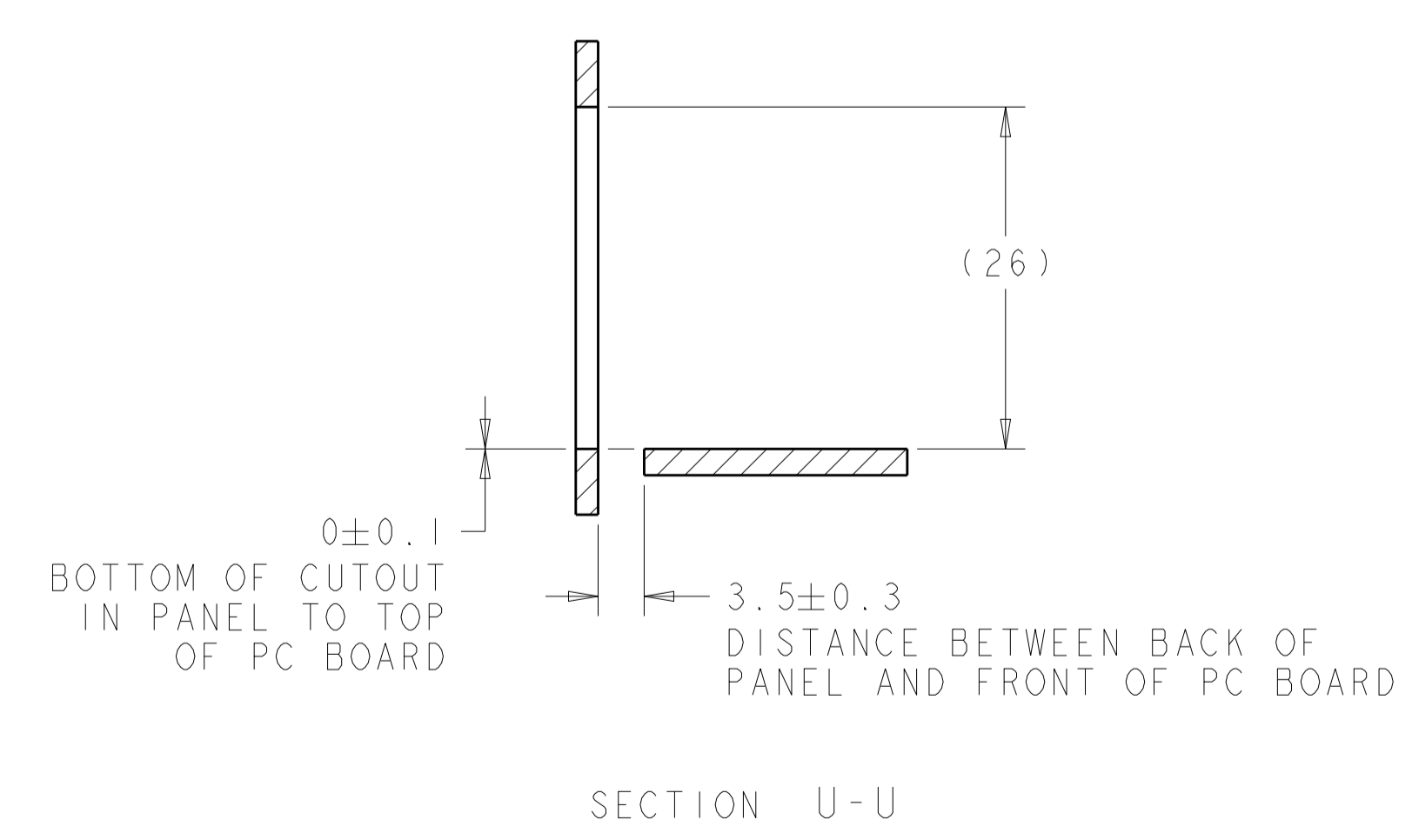
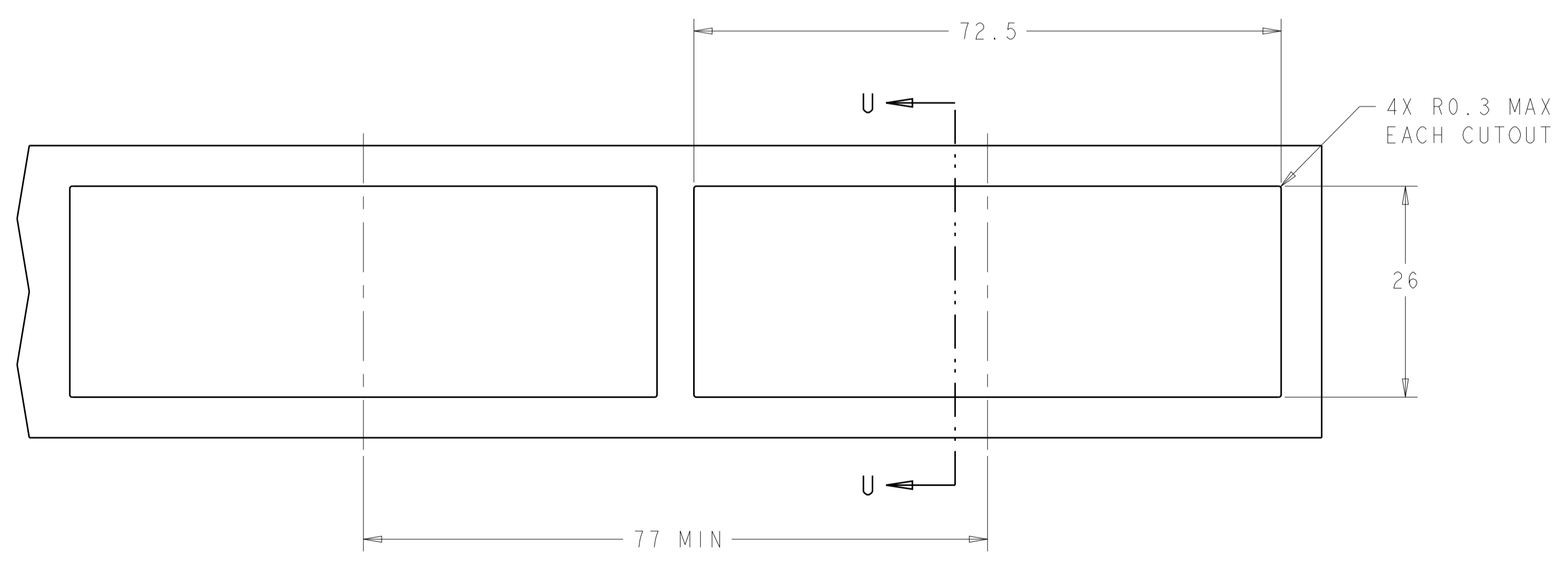
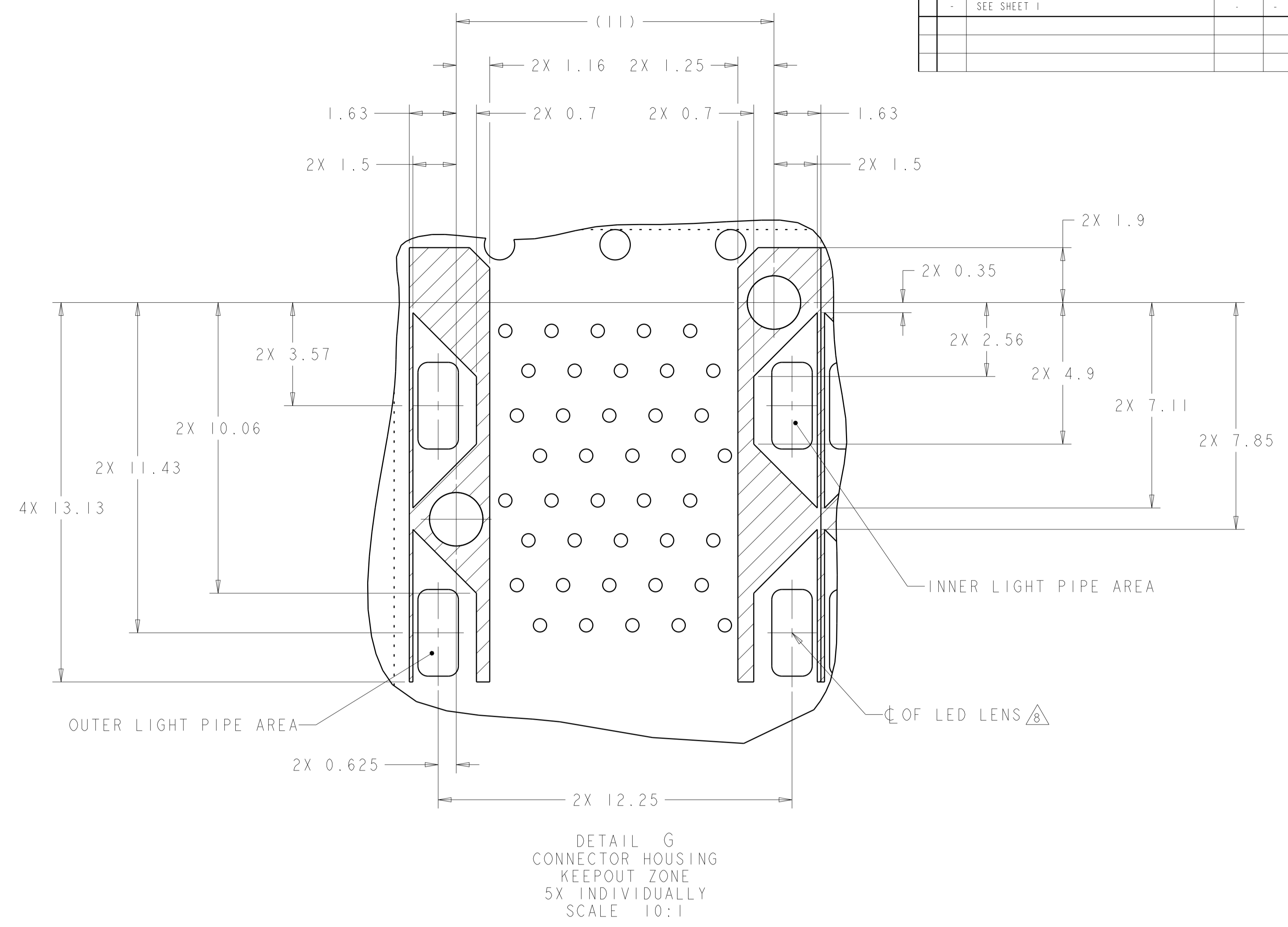
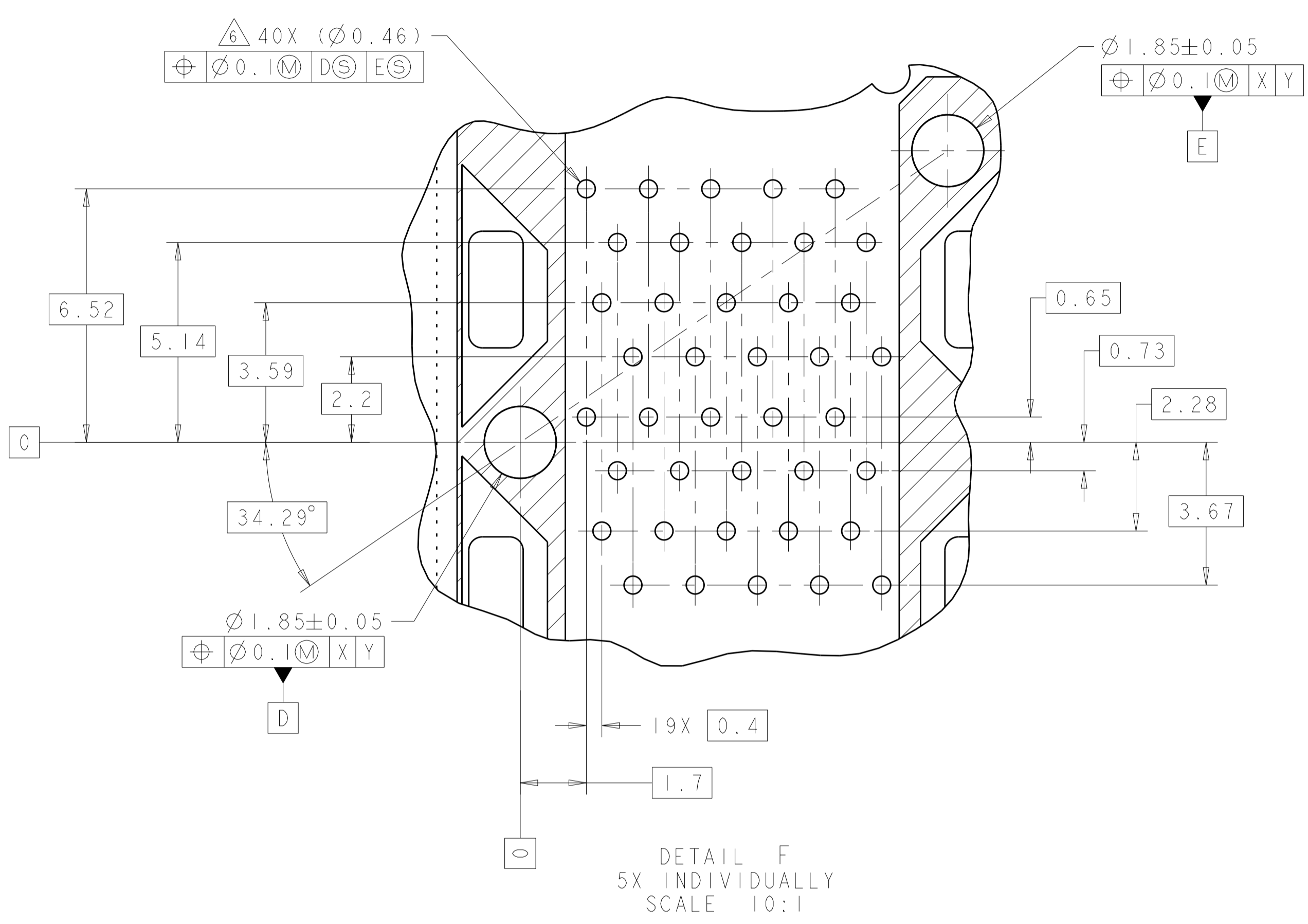


DETAIL H
 CONNECTOR PIN-OUT
 COMPONENT SIDE OF BOARD
 5X INDIVIDUALLY
 SCALE 10:1

RECOMMENDED PCB LAYOUT
 COMPONENT SIDE OF BOARD
 SCALE 5:1

THIS DRAWING IS A CONTROLLED DOCUMENT.		OWN: C. VALENTINE 10DEC2010	TE Connectivity
DIMENSIONS: mm		CHK: P. RECCE 10DEC2010	
TOLERANCES UNLESS OTHERWISE SPECIFIED:		APVD: P. RECCE 10DEC2010	NAME: CAGE AND PT CONNECTOR ASSEMBLY, WITH EMI GASKET, PRESS FIT, 2X5, STACKED SFP+
0 PLC ±0.10 1 PLC ±0.10 2 PLC ±0.10 3 PLC ±0.10 4 PLC ±0.10 ANGLES ±°		PRODUCT SPEC: 108-2331	
MATERIAL:		APPLICATION SPEC: 114-13219	SIZE: A100779
FINISH:		WEIGHT:	CAGE CODE: C=2169678
CUSTOMER DRAWING		SCALE: 4:1	SHEET 3 OF 4

REVISIONS				
P.	LTN.	DESCRIPTION	DATE	APVD.
-	-	SEE SHEET 1	-	-



THIS DRAWING IS A CONTROLLED DOCUMENT.		OWN: C. VALENTINE 10DEC2010	TE Connectivity
DIMENSIONS: mm		CHK: P. RECCE 10DEC2010	
TOLERANCES UNLESS OTHERWISE SPECIFIED:		APVD: P. RECCE 10DEC2010	NAME: CAGE AND PT CONNECTOR ASSEMBLY, WITH EMI GASKET, PRESS FIT, 2X5, STACKED SFP+
0 PLC ±0.10		PRODUCT SPEC: 108-2331	SIZE: 114-13219
1 PLC ±0.10		APPLICATION SPEC:	RESTRICTED TO: A100779C=2169678
2 PLC ±0.10		WEIGHT:	SCALE: 4:1 SHEET 4 OF 4 REV B
3 PLC ±0.10		CUSTOMER DRAWING	
4 PLC ±0.10			
ANGLES ±°			
FINISH:			