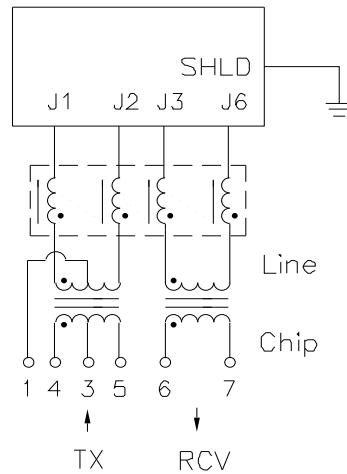


2. Schematic:



3. Electrical Specification: @25°

Isolation: 1500 Vrms (PRI to SEC)

Isolation: 500 Vrms (TX to RCV)

Turns Ratio: 1CT:1.41CT $\pm 2\%$ (TX) 1:1 $\pm 2\%$ (RCV)

PRI OCL: 140uH Typical @100KHz 50mV (TX&RCV)

Cw/w: 12pF Maximum @100KHz 50mV

PRI LL: 0.40uH Maximum @100KHz 50mV (SEC Shorted)

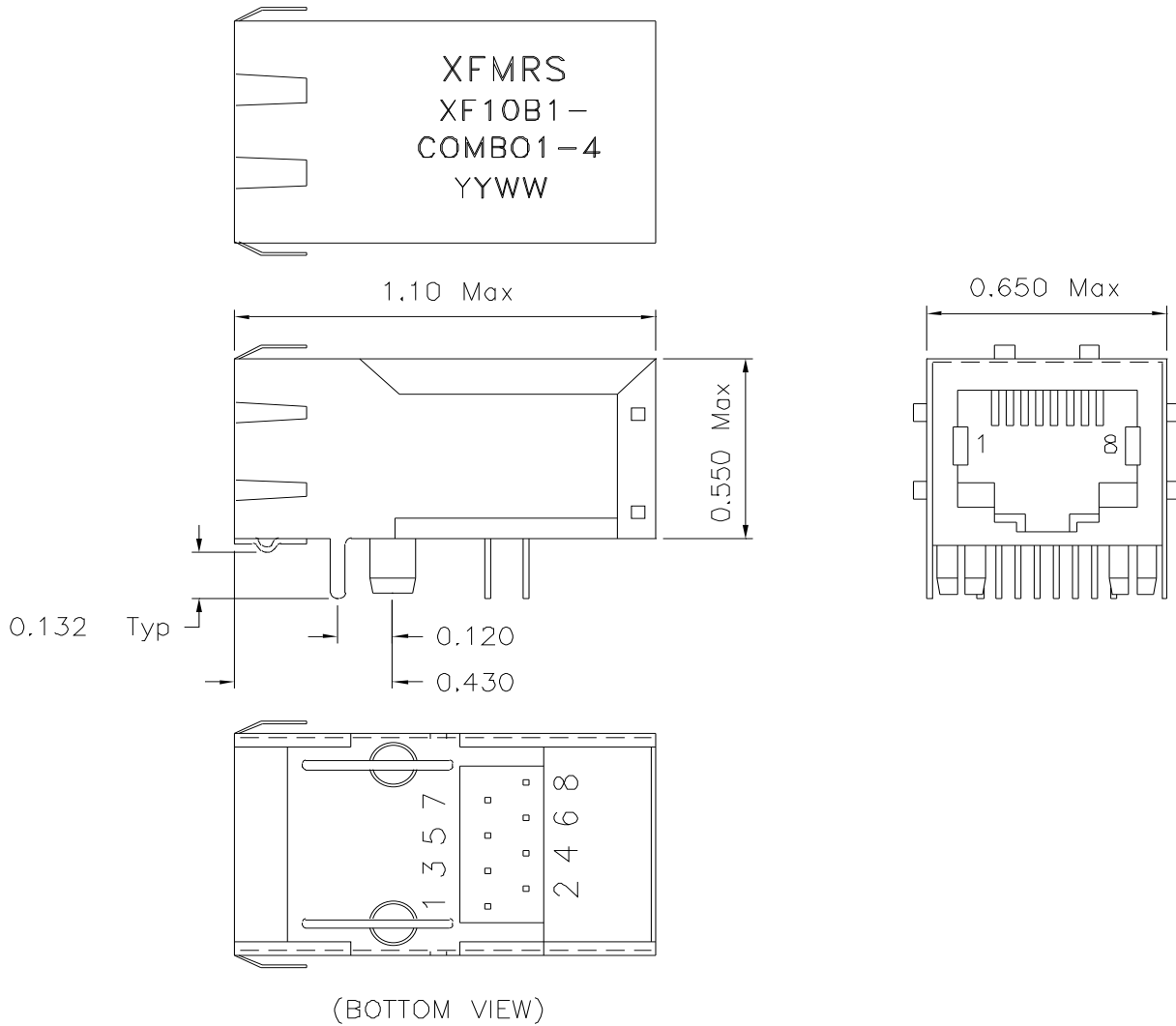
PRI DCR: 0.30 Ohms Maximum

CMR CHOKE OCL: 18uH Typical @100KHz 50mV

DOC. REV: A/1

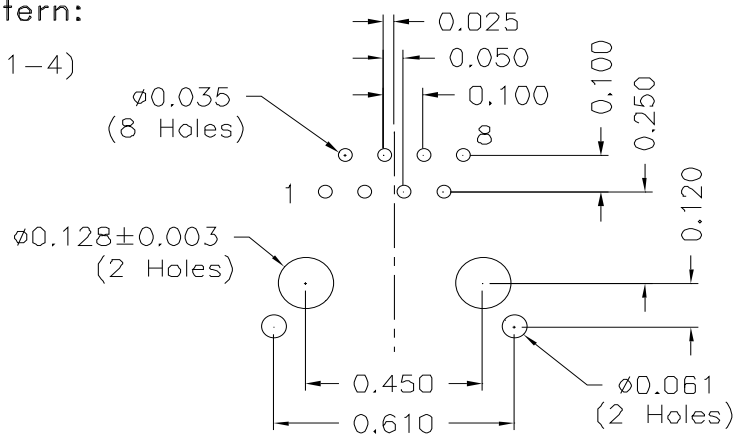
XFMR'S Inc.	Title: SINGLE PORT COMBO		
	UNLESS OTHERWISE SPECIFIED		P/N: XF10B1-COMB01-4
	TOLERANCES:		REV. A
	.xxx ± 0.010		
Dimensions in Inch	DWN.	李清儿	Feb-25-99
SCALE 1.5:1 SHT 1 OF 1	CHK.	孙怡	Feb-25-99
	APP.	Joe Huff	Feb-25-99

Mechanical Dimensions:



Mounting Pattern:

(FOR COMBO1-4)
(COMP SIDE)



XFMRS Inc.	Title: Mechanical Dimensions For COMBO1-4 Series	
	UNLESS OTHERWISE SPECIFIED TOLERANCES: .xxx ±0.010 Dimensions in Inch	P/N: XF10B1-COMBO1-4
SHEET 2 OF 2	DWN.	REV. A
	CHK.	李清儿
	APP.	孙悦
		Feb-25-99
		Feb-25-99
		Feb-25-99