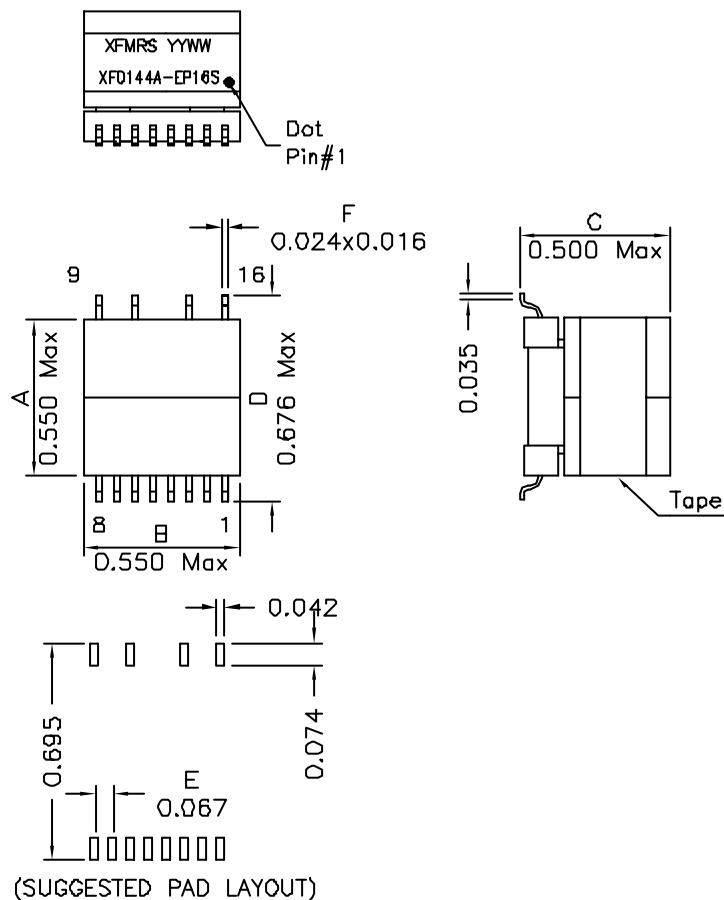


1. Mechanical Dimensions:

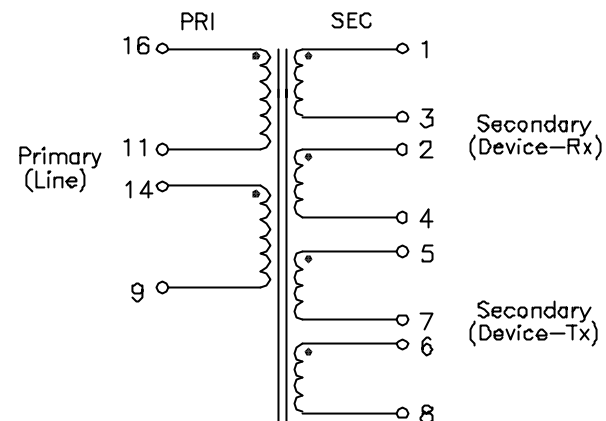


Notes:

- Solderability: Leads shall meet MIL-STD-202G, Method 208H for solderability.
- Flammability: UL94V-0
- ASTM oxygen index: > 28%
- Insulation System: Class F 155°C. UL file E151556
- Operating Temperature Range: All listed parameters are to be within tolerance from -40°C to +85°C
- Storage Temperature Range: -55°C to +125°C
- Aqueous wash compatible
- SMD Lead Coplanarity: $\pm 0.004"$ (0.102mm)
- Electrical and mechanical specifications 100% tested
- RoHS Compliant Component
- Designed to meet UL60950/CSA60950 and AS/NZ60950 for Supplementary Insulation for a primary circuit at a working voltage of 250Vrms.

DOC REV: A/3

2. Schematic:



3. Electrical Specifications: @25°C

- QCL: Pins 16-9 1.4mH $\pm 10\%$ @10KHz 0.1V, Tie Pins 11+14
- LL: Pins 16-9 40uH Max @100KHz 0.1V, Tie Pins 11+14, 5-8
Pins 16-9 20uH Max @100KHz 0.1V, Tie Pins 11+14, 1-4
- CW/W: Pins 16-1 45pF Max @100KHz 0.1V, Tie Pins 11+14, 2+3
Pins 16-5 95pF Max @100KHz 0.1V, Tie Pins 11+14, 6+7
- URNS RATIO: Pins (16-9):(5-8) = 4.20:1.00
Pins (16-9):(1-4) = 1.00:1.00
Pins (16-11):(5-7) = 4.20:1.00
Pins (16-11):(1-3) = 1.00:1.00
- DCR: Pins 16-11 3.00 Ohms $\pm 15\%$
Pins 14-9 3.00 Ohms $\pm 15\%$
Pins 1-3 2.85 Ohms $\pm 15\%$
Pins 2-4 2.85 Ohms $\pm 15\%$
Pins 5-7 0.400 Ohms $\pm 15\%$
Pins 6-8 0.400 Ohms $\pm 15\%$
- THD: -90dB Max @30KHz, 2Vrms input, 5.7 Ohm load (5-8),
1000 Ohm load 1-4, 100 Ohm Input
- Logitudinal Balance: 40dB Min @20KHz-1100KHz
- Insertion Loss: 1.2dB Max @300KHz, 5.70 Ohm Load
- HIPOT: 1875Vac, PRI to SEC

XFMR5 Inc www.XFMR5.com	Title: xDSL TRANSFORMER		
	UNLESS OTHERWISE SPECIFIED	P/N: XF0144A-EP16S	REV. A
TOLERANCES: .xxx ± 0.010	DWN.	Juan Mao	Apr-08-08
Dimensions in INCH	CHK.	YK Liao	Apr-08-08
SHEET 1 OF 1	APP.	BW	Apr-08-08

PROPRIETARY Document is the property of XFMR5 Group & is not allowed to be duplicated without authorization.