



Spec. No.	PS-ND-0807
Rev.	A

# PRODUCT SPECIFICATION

**Model No : CSS-2314E/2315E**

## Descriptions:

- 2.30 Inch Single Digit Display
- Emitting Color : Orange



CUSTOMER APPROVED	APPROVED BY	CHECKED BY	PREPARED BY
SIGNATURES			陳新強

**CHINA SEMICONDUCTOR CORPORATION**

Address:2FL. NO.909,Chung-Cheng Road,  
Chung-Ho City Taipei Hsien,Taiwan.

Tel:886-2-2223-9696  
Fax:886-2-2223-9377

**OPTO PLUS TECHNOLOGIES CO.,LTD**

Address:696 Shun jiang Rd.,Ji Shan St.Shaoxing,  
ZheJiang,China

Tel:86-0575-88623888  
Fax:86-0575-88623112



<b>Spec. No.</b>	PS-ND-0807
<b>Rev.</b>	A

**Model No : CSS-2314E/2315E**

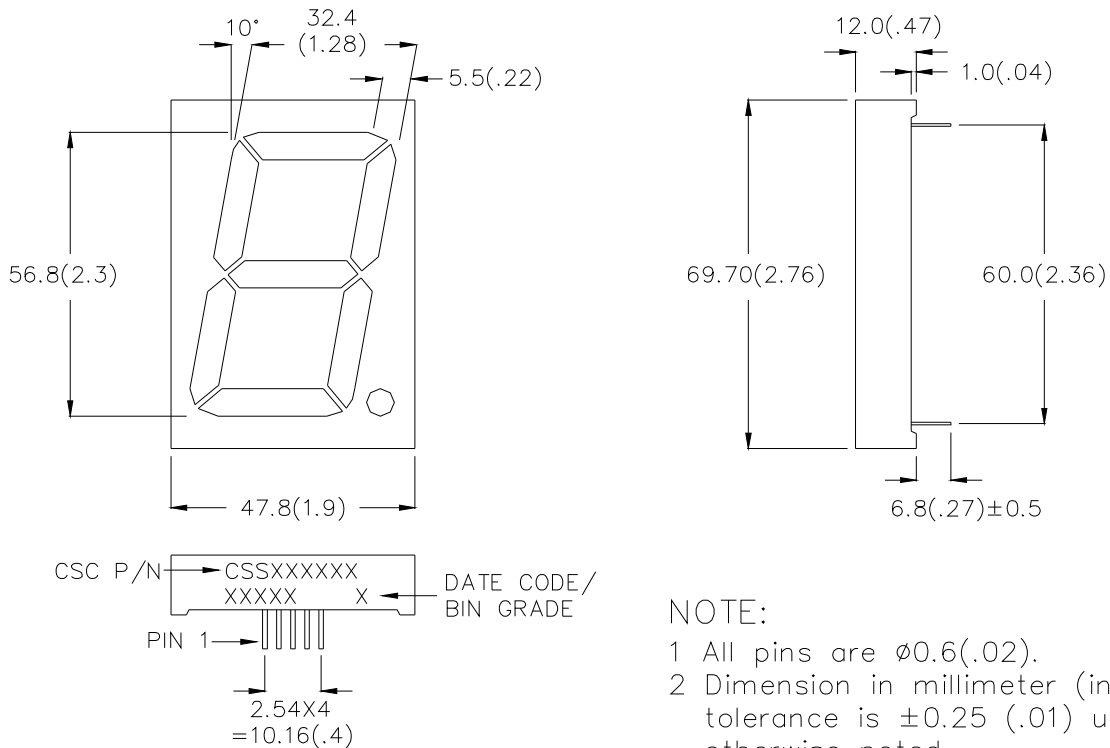
**Features -**

1. 2.3 inch (56.8mm) digit height.
2. Case mold type.
3. RoHS compliant.
4. Low power consumption.
5. Easy mounting on P.C. board or socket.

**Device Selection Guide -**

Model No.	Chip		Description
	Material	Emitted Color	
<b>CSS-2314E</b>	<b>GaAsP</b>	<b>Orange</b>	<b>Common Anode</b>
<b>CSS-2315E</b>	<b>GaAsP</b>	<b>Orange</b>	<b>Common Cathode</b>

**Mechanical Dimensions -**



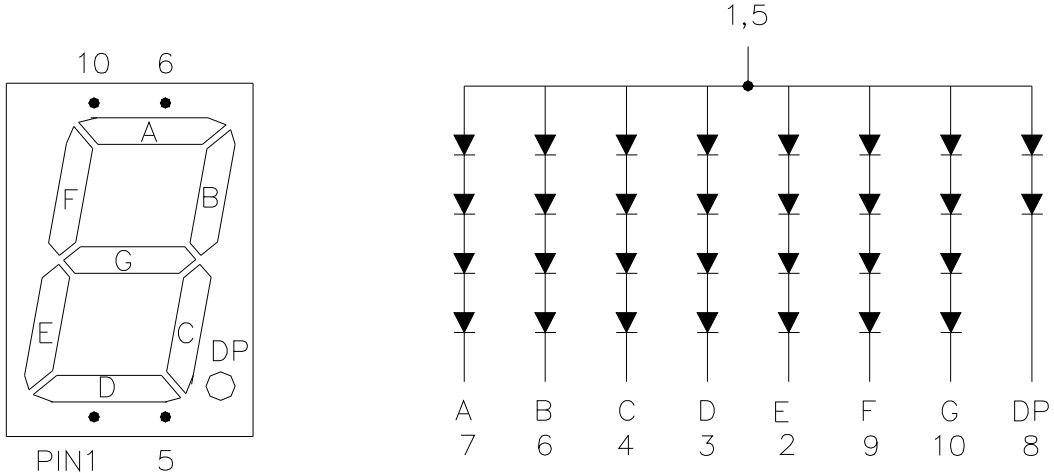
**NOTE:**

- 1 All pins are  $\phi 0.6(.02)$ .
- 2 Dimension in millimeter (inch), and tolerance is  $\pm 0.25 (.01)$  unless otherwise noted.



Model No : CSS-2314E/2315E

Internal Circuit Diagrams -



CSS-2318 Common Anode  
(CSS-2319 Common Cathode.)

Absolute Maximum Rating -

(Ta=25°C)

Parameter	Symbol	Rating	Unit
Power Dissipation Per Dice	Pd	70	mW
Continuous Forward Current Per Dice	IAF	25	mA
Peak Current Per Dice	IPF	90	mA
Continuous Forward Current Per Dice	-	0.33	mA/°C
Reverse Voltage Per Dice	VR	5	V
Operating Temperature	Topr	-35 ~ +85	°C
Storage Temperature	Tstg	-35 ~ +85	°C
Solder temperature 1/16 inch below seating plane for 3 seconds at 260 °C			



Model No : CSS-2314E/2315E

■ Electro-optical Characteristics -

(Ta=25°C)

Parameter	Symbol	Min.	Typ.	Max.	Unit	Condition
Forward Voltage Per Segment (DP)	V <sub>F</sub>	-	8.0(4.0)	11.2(5.6)	V	IF=20mA
Luminous Intensity Per Segment	I <sub>v</sub>	-	20	-	mcd	IF=10mA
Peak Emission Wavelength	λ <sub>P</sub>	-	632	-	nm	IF=20mA
Dominant Wavelength	λ <sub>d</sub>	-	624	-	nm	IF=20mA
Spectrum Radiation Bandwidth	Δλ	-	35	-	nm	IF=20mA
Reverse Current	I <sub>R</sub>	-	-	100	μA	V <sub>R</sub> =20V
Luminous Intensity Matching Ratio	I <sub>V-m</sub>	-	-	2:1	-	IF=10mA

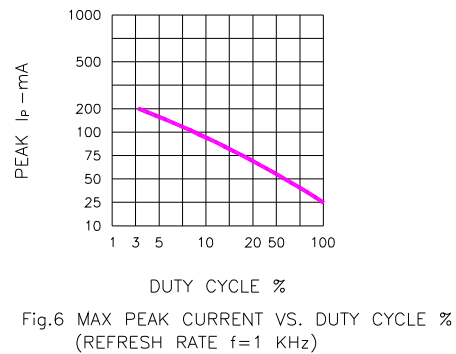
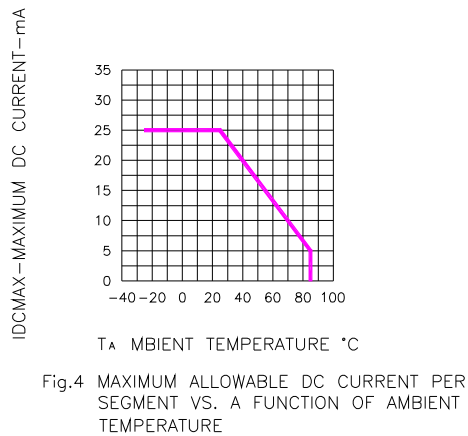
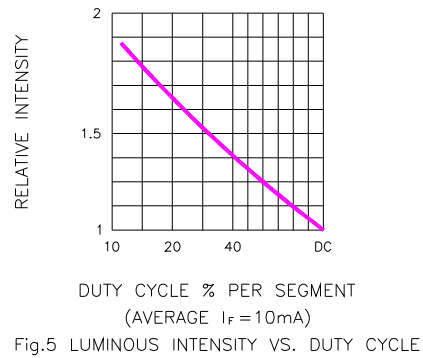
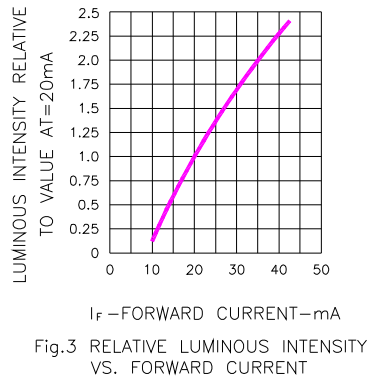
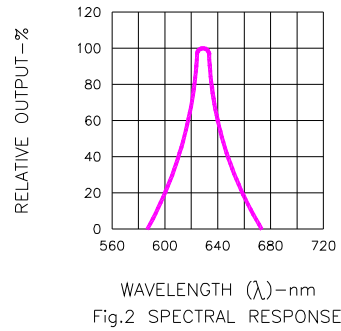
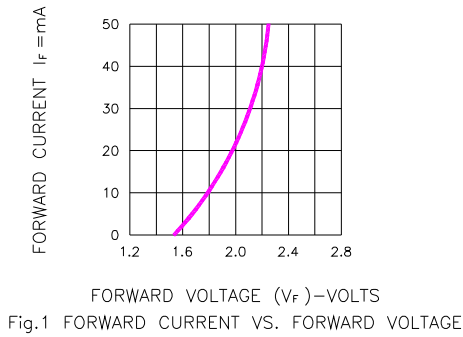


<b>Spec. No.</b>	PS-ND-0807
<b>Rev.</b>	A

**Model No : CSS-2314E/2315E**

**Typical Electrical / Optical Characteristics Curves -**

**(Ta = 25°C Unless Otherwise Noted)**



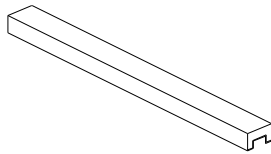


Spec. No.	PS-ND-0807
Rev.	A

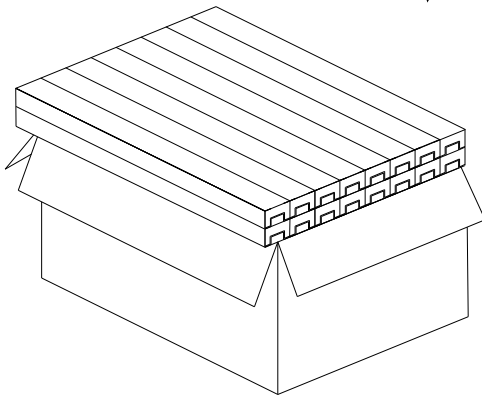
Model No : CSS-2314E/2315E

■ Package Dimensions

Single Digit Display  
Dice Code  
CSS-231XX

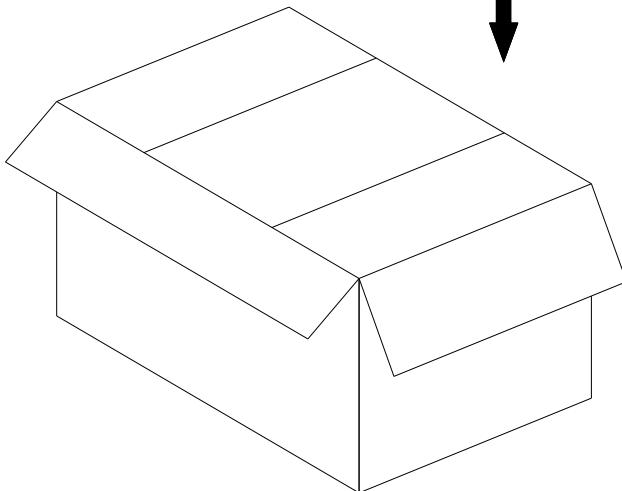


10 PCS per tube



16 Tubes per inner box

Total Q'TY: 160 pcs



3 Inner boxes per carton.

Total Q'TY: 480 pcs

Carton Size:  
L54xW48.5xH30.5cm

Note: The specifications are subject to change without notice. Please contact us for updated information.  
<http://www.csctw.com.tw>