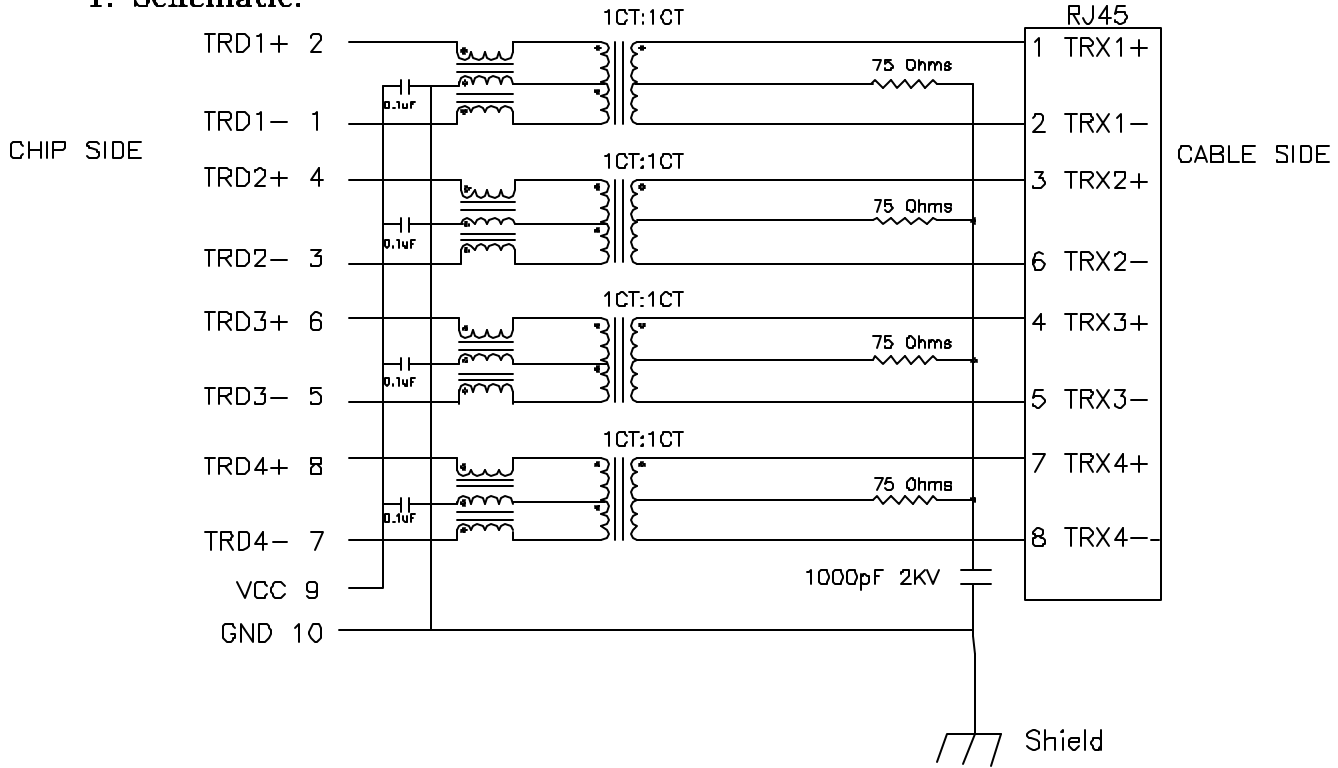


**1. Schematic:**

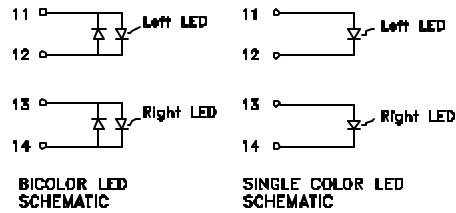


**Electrical Specifications: @25°C**

- ISOLATION: 1500 Vrms
- URNS RATIO: (PRI/SEC) 1CT:1CT ±2%
- DCL: 350uH MIN @100KHz 100mV 8mADC
- Rise Time: 1.75ns Max.
- INSERTION LOSS: -1.0dB MAX @1MHz-100MHz  
-1.5dB MAX @100-125MHz
- RETURN LOSS: -18dB Min @1-30MHz  
-15dB Min @40MHz -13.1dB Min @50MHz  
-12dB Min @60-80MHz -10dB Min @100MHz
- Differential to Common Mode Rejection:  
-4.3dB Min @30MHz -37dB Min @80MHz  
-33dB Min @100MHz
- CMRR: -30dB Min @1-100MHz
- Crosstalk: -45dB Min @30MHz  
-40dB Min @60MHz -35dB Min @100MHz

**Notes:**

1. Solderability: Leads shall meet MIL-STD-202G, Method 208H for solderability.
2. Flammability: UL94V-0
3. ASTM oxygen index: > 28%
4. Insulation System: Class F 155°C, UL file E15155B
5. Operating Temperature Range: All listed parameters are to be within tolerance from -40°C to +85°C
6. Storage Temperature Range: -55°C to +125°C
7. Aqueous wash compatible
8. Electrical and mechanical specifications 100% tested
9. RoHS Compliant Component



Complete the Combo P/N as follows:

Replace 'x' & 'u' in the part number with one of the LED color letters:  
 Y=Yellow                      'x' = Left LED Color  
 G=Green                        'u' = Right LED Color  
 A=Amber  
 R=Red  
 C=Green(1)/Amber(2) Bicolor  
 D=Amber(1)/Green(2) Bicolor  
 M=Green(1)/Yellow(2) Bicolor  
 N=Yellow(1)/Green(2) Bicolor  
 P=Red(1)/Green(2) Bicolor  
 Q=Green(1)/Red(2) Bicolor  
 E=Red(1)/Yellow(2) Bicolor  
 F=Yellow(1)/Red(2) Bicolor  
 H=Amber(1)/Yellow(2) Bicolor  
 J=Green(1)/Green(2) Bicolor

Single Color LED:      Bi-Color LED:

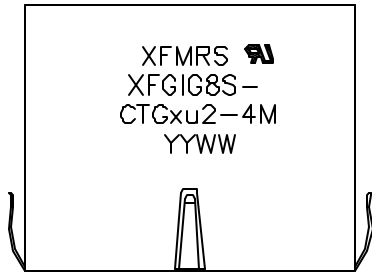
<b>XFMRS Inc.</b> www.XFMRS.com	Title: "1" Tab Up Dual Port Combo		
	UNLESS OTHERWISE SPECIFIED TOLERANCES:	P/N: XFGIG8S-CTGxu2-4M	REV. A
.xxx ±0.010	DWN.	Xiany	Oct-20-08
Dimensions in Inch	CHK.	YK Liao	Oct-20-08
SHEET 1 OF 3	APP.	BW	Oct-20-08

DOC. REV A/1

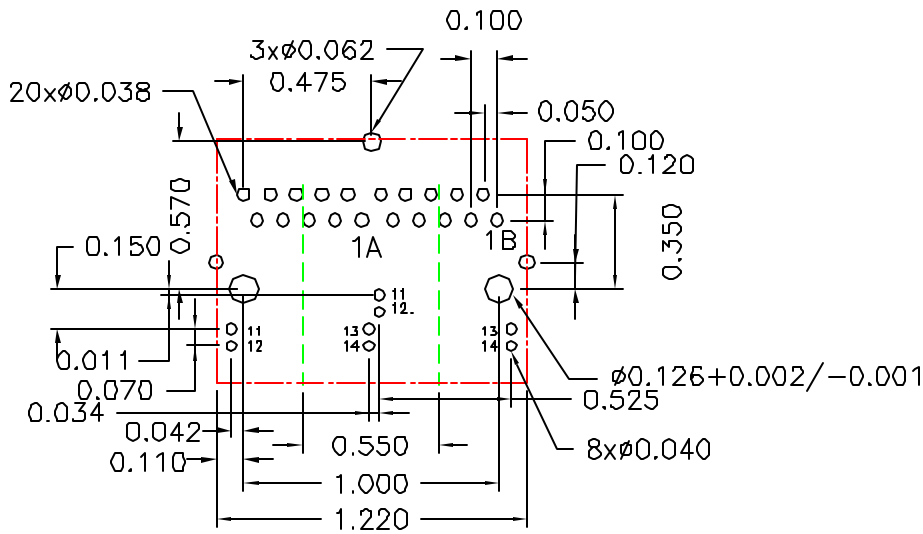
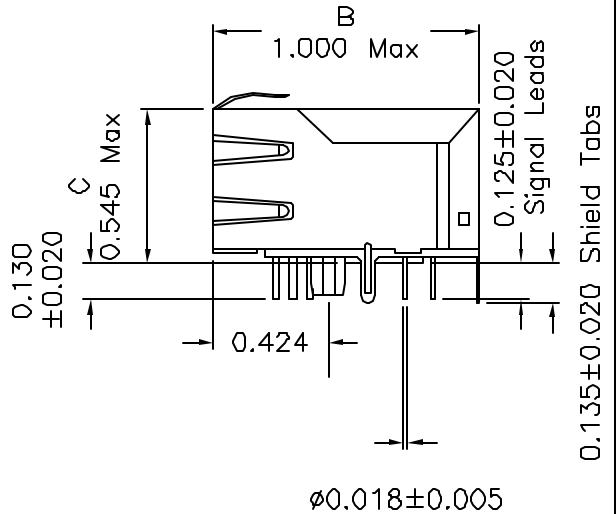
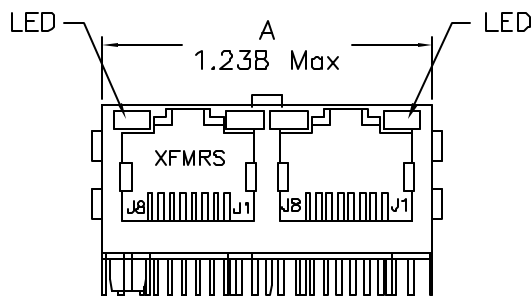
**PROPRIETARY**

Document is the property of XFMRS Group & is not allowed to be duplicated without authorization.

# Mechanical Dimensions: (FOR CTGxu2-4M)



Top view



Suggested Footprint: (Top View)

<b>XFMR5 Inc</b> www.XFMRS.com	Title: "1" DUAL PORT COMBO TAB UP		
	UNLESS OTHERWISE SPECIFIED	P/N: XFGIG8S-CTGxu2-4M	REV. A
TOLERANCES: .xxx ±0.010	DWN.	Xianyi	Oct-20-08
Dimensions in Inch	CHK.	YK Liao	Oct-20-08
SHEET 2 OF 2	APP.	BW	Oct-20-08

DOC REV: A/1

**PROPRIETARY**

Document is the property of XFMR5 Group & is not allowed to be duplicated without authorization.