

16

1614 09

Power supply connectors

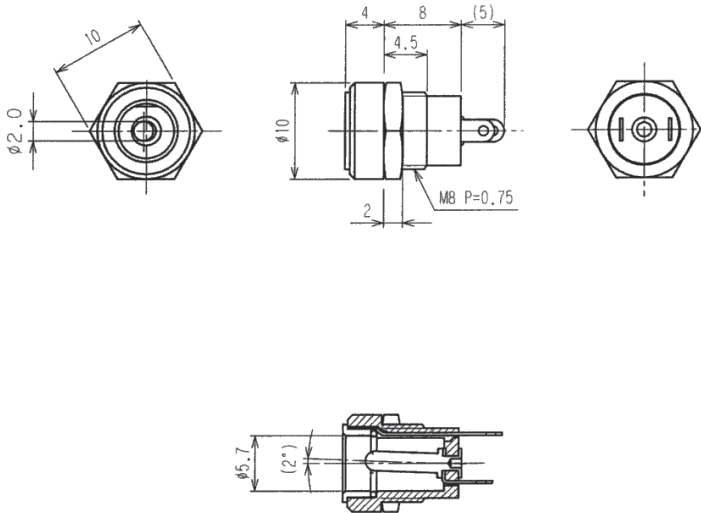


Power supply chassis socket, straight version, with solder eyes, for front side mounting

State: Active

16

1614 09



Environmental conditions

Temperature range -20 °C/+70 °C

Materials

Insulating body	PA
Contact spring	CuSn, nickel-plated
Contact pin	CuZn, nickel-plated
Lötkontakt	CuZn, nickel-plated
Hexagonal nut	steel, nickel-plated

Mechanical data

Diameter opening	5,7 mm
Diameter center pin	2,0 mm
Mating cycles	≥ 5000 ¹
Insertion force	≤ 30 N (initial value)
Withdrawal force	3–30 N (initial value)

¹ gemessen mit einem Lehrenstecker

Electrical data (at T_{amb} 20 °C)

Contact resistance	≤ 30 mΩ
Rated current	2 A
Rated voltage	24 V DC
Rated impulse voltage	500 V/60 s
Insulation resistance	≥ 100 MΩ

Associated products

Counterparts			
☞ 1633 02	☞ 1633 03	☞ NES/J 21	
☞ NES/J 21 W	☞ NES/J 210	☞ XNES/J 210	

16

1614 09

Designation	Pole Number	PU (Pieces)	MDQ (Pieces)
1614 09	2	250	500

Packaging:

in bulk, in a cardboard box or a plastic bag