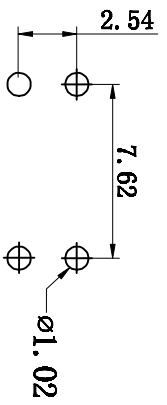
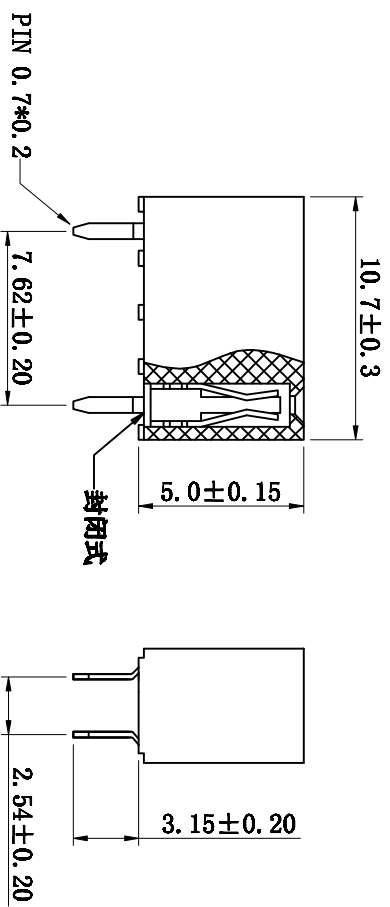
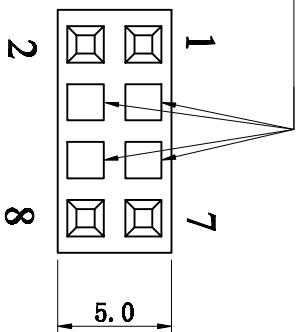


空3, 4, 5, 6 PIN



RECOMMENDED PCB LAYOUT  
COMPONENT SIDE VIEW

**SPECIFICATION**

Current Rate: 3Amp  
 Contact Resistance: 20mΩ MAX. at DC 1A  
 Insulation Resistance: 1000MΩ MIN. at DC 500V  
 Dielectric Strength: AC 500V PER minute  
 Operation Temperature: -40°to +105°

**MATERIAL**

Insulator: Polyester, UL94V-0  
 Standard: PA6T  
 CONTACT: Phosphor Bronze  
 Contact plated: Gold Over Nickel  
 Color: Black

**TOLERANCE TABLE**

.0	±0.20
.00	±0.10
.000	±0.05

APPROVED:	DATE:
CHECKED:	DATE:
DRAWN:	DATE:
Iuli-Liu	2016-08-26

深圳市灿科盟实业有限公司 CHANKEMENG INDUSTRY CO., LTD	
TITLE: 220S-2*4P 空4PIN H=5.0 封闭式(I型)	
CLIENT P/N	C2902688
UNIT	mm
SCALE	Free
FILE NO.	B-220S08P-B421
REV.	A