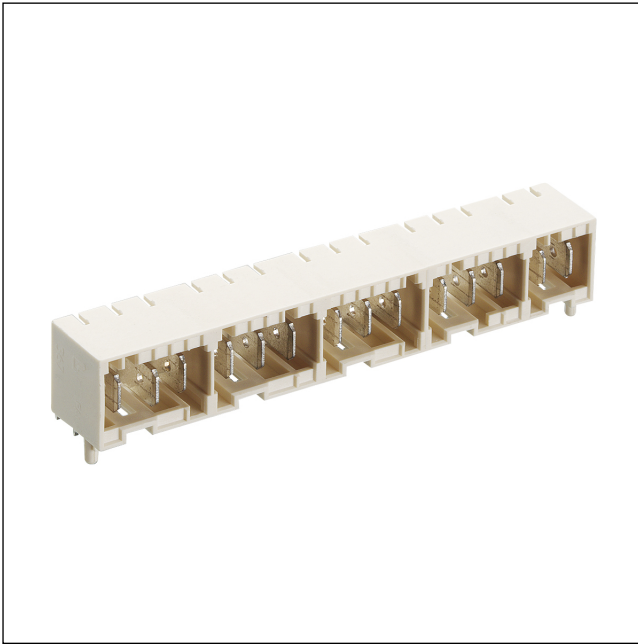


36

367499

RAST 5 connectors, pitch 5.0 mm



RAST 5 tab header, angular, with lower side lock, higher version, with positioning spigot, free to configure with partitions and pre-mating protective contacts

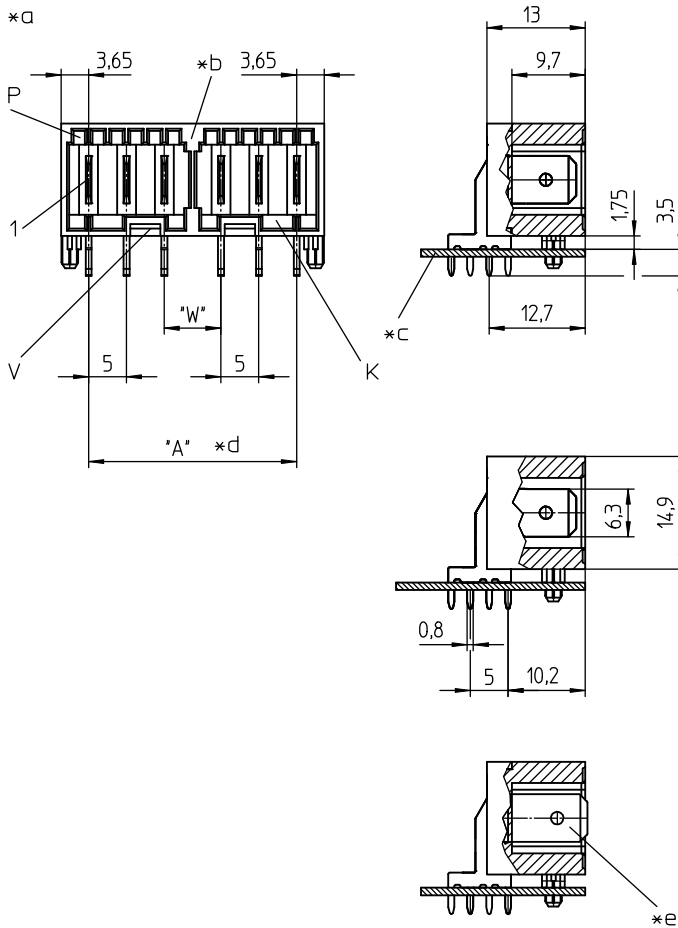
State: Active

Approvals:



36

367499



Environmental conditions

Temperature range -40 °C/+120 °C

Materials

Insulating body PA GF, V-0 according to UL94¹
 Contact tab CuZn, pre-nickel and tin-plated
¹ component glow wire resistant (GWT 750 °C), testing acc. to IEC 60695-2-11, assessment acc. to IEC 60335-1 (flame < 2 s)

Mechanical data

Contact tab 6.3 x 0.8 mm according to DIN 42644

Electrical data (at T_{amb} 20 °C)

Rated current 10 A (T_v 70 °C)
 Rated voltage 250 V AC
 Material group IIIa (IEC)/2 (UL) (CTI ≥ 250)
 Creepage distance 4,2 mm
 Clearance 4,2 mm
 Insulation resistance > 10 GΩ

Associated products

Counterparts
 ☞ 3611 ☞ 3615 ☞ 3615-1
 ☞ 3615-2 ☞ 3615-3 ☞ 3623
 ☞ 3626

36

367499

| Designation | Pole Number | PU (Pieces) | MDQ (Pieces) |
|-------------|-------------|-------------|--------------|
| 367499 03 | 3 | | 2000 |
| 367499 04 | 4 | | 2000 |
| 367499 05 | 5 | | 2000 |
| 367499 06 | 6 | | 2000 |
| 367499 07 | 7 | | 2000 |
| 367499 08 | 8 | | 2000 |
| 367499 09 | 9 | | 2000 |
| 367499 10 | 10 | | 2000 |
| 367499 11 | 11 | | 2000 |
| 367499 12 | 12 | | 2000 |
| 367499 13 | 13 | | 2000 |
| 367499 14 | 14 | | 2000 |
| 367499 15 | 15 | | 2000 |
| 367499 16 | 16 | | 2000 |
| 367499 17 | 17 | | 2000 |
| 367499 18 | 18 | | 2000 |
| 367499 19 | 19 | | 2000 |
| 367499 20 | 20 | | 2000 |
| 367499 21 | 21 | | 2000 |
| 367499 22 | 22 | | 2000 |
| 367499 23 | 23 | | 2000 |
| 367499 24 | 24 | | 2000 |
| 367499 25 | 25 | | 2000 |
| 367499 26 | 26 | | 2000 |
| 367499 27 | 27 | | 2000 |

Designation to be completed by further details (e.g. for keying, color or material options).

Packaging:

in a cardboard box