

TMS27C512 65536 BY 8-BIT UV ERASABLE TMS27PC512 65536 BY 8-BIT PROGRAMMABLE READ-ONLY MEMORIES

SMLS512G – NOVEMBER 1985 – REVISED SEPTEMBER 1997

- Organization . . . 65536 by 8 Bits
- Single 5-V Power Supply
- Pin Compatible With Existing 512K MOS ROMs, PROMs, and EPROMs
- All Inputs/Outputs Fully TTL Compatible
- Max Access/Min Cycle Time
 $V_{CC} \pm 10\%$

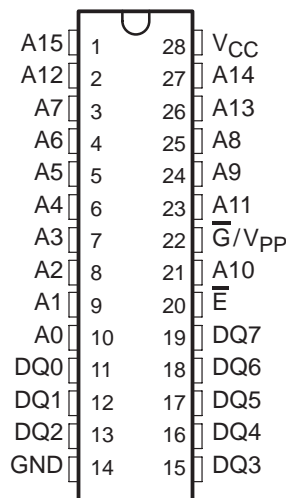
'27C/PC512-10	100 ns
'27C/PC512-12	120 ns
'27C/PC512-15	150 ns
'27C/PC512-20	200 ns
'27C/PC512-25	250 ns
- Power Saving CMOS Technology
- Very High-Speed SNAP! Pulse Programming
- 3-State Output Buffers
- 400-mV Minimum DC Noise Immunity With Standard TTL Loads
- Latchup Immunity of 250 mA on All Input and Output Lines
- Low Power Dissipation ($V_{CC} = 5.25 V$)
 - Active . . . 158 mW Worst Case
 - Standby . . . 1.4 mW Worst Case (CMOS Input Levels)
- Temperature Range Options
- 512K EPROM Available With MIL-STD-883C Class B High Reliability Processing (SMJ27C512)

description

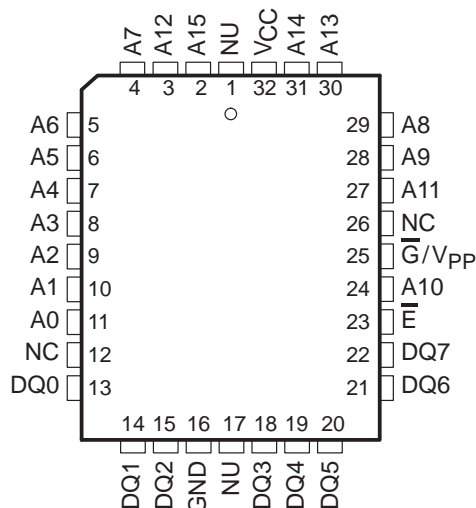
The TMS27C512 series are 65536 by 8-bit (524288-bit), ultraviolet (UV) light erasable, electrically programmable read-only memories (EPROMs).

The TMS27PC512 series are 65536 by 8-bit (524288-bit), one-time programmable (OTP) electrically programmable read-only memories (PROMs).

J PACKAGE
(TOP VIEW)



FM PACKAGE
(TOP VIEW)



PIN NOMENCLATURE

A0–A15	Address Inputs
\bar{E}	Chip Enable/Power Down
DQ0–DQ7	Inputs (programming)/Outputs
\bar{G}/V_{PP}	13-V Programming Power Supply
GND	Ground
NC	No Internal Connection
NU	Make No External Connection
V_{CC}	5-V Power Supply



Please be aware that an important notice concerning availability, standard warranty, and use in critical applications of Texas Instruments semiconductor products and disclaimers thereto appears at the end of this data sheet.

PRODUCTION DATA information is current as of publication date. Products conform to specifications per the terms of Texas Instruments standard warranty. Production processing does not necessarily include testing of all parameters.

 **TEXAS
INSTRUMENTS**

POST OFFICE BOX 1443 • HOUSTON, TEXAS 77251-1443

Copyright © 1997, Texas Instruments Incorporated

TMS27C512 65536 BY 8-BIT UV ERASABLE TMS27PC512 65536 BY 8-BIT PROGRAMMABLE READ-ONLY MEMORIES

SMLS512G – NOVEMBER 1985 – REVISED SEPTEMBER 1997

description (continued)

These devices are fabricated using power-saving CMOS technology for high speed and simple interface with MOS and bipolar circuits. All inputs (including program data inputs) can be driven by Series 74 TTL circuits without the use of external pullup resistors. Each output can drive one Series 74 TTL circuit without external resistors.

The data outputs are 3-state for connecting multiple devices to a common bus. The TMS27C512 and the TMS27PC512 are pin compatible with 28-pin 512K MOS ROMs, PROMs, and EPROMs.

The TMS27C512 EPROM is offered in a dual-in-line ceramic package (J suffix) designed for insertion in mounting hole rows on 15,2-mm (600-mil) centers. The TMS27PC512 OTP PROM is supplied in a 32-lead plastic leaded chip carrier package using 1,25-mm (50-mil) lead spacing (FM suffix).

The TMS27C512 and TMS27PC512 are offered with two choices of temperature ranges of 0°C to 70°C (JL and FML suffix) and – 40°C to 85°C (JE and FME suffix). See Table 1.

All package styles conform to JEDEC standards.

Table 1. Temperature Range Suffixes

EPROM AND OTP PROM	SUFFIX FOR OPERATING FREE-AIR TEMPERATURE RANGES	
	0°C TO 70°C	– 40°C TO 85°C
TMS27C512-xxx	JL	JE
TMS27PC512-xxx	FML	FME

These EPROMs and OTP PROMs operate from a single 5-V supply (in the read mode), thus are ideal for use in microprocessor-based systems. One other 13-V supply is needed for programming. All programming signals are TTL level. The device is programmed using the SNAP! Pulse programming algorithm. The SNAP! Pulse programming algorithm uses a V_{PP} of 13 V and a V_{CC} of 6.5 V for a nominal programming time of seven seconds. For programming outside the system, existing EPROM programmers can be used. Locations can be programmed singly, in blocks, or at random.

TMS27C512 65536 BY 8-BIT UV ERASABLE
TMS27PC512 65536 BY 8-BIT
PROGRAMMABLE READ-ONLY MEMORIES

SMLS512G – NOVEMBER 1985 – REVISED SEPTEMBER 1997

operation

The seven modes of operation are listed in Table 2. The read mode requires a single 5-V supply. All inputs are TTL level except for V_{PP} during programming (13 V for SNAP! Pulse) and 12 V on A9 for signature mode.

Table 2. Operation Modes

FUNCTION	MODE†							SIGNATURE MODE	
	READ	OUTPUT DISABLE	STANDBY	PROGRAMMING	VERIFY	PROGRAM INHIBIT			
\bar{E}	V_{IL}	V_{IL}	V_{IH}	V_{IL}	V_{IL}	V_{IH}	V_{IL}		
\bar{G}/V_{PP}	V_{IL}	V_{IH}	X	V_{PP}	V_{IL}	V_{PP}	V_{IL}		
V_{CC}	V_{CC}	V_{CC}	V_{CC}	V_{CC}	V_{CC}	V_{CC}	V_{CC}		
A9	X	X	X	X	X	X	$V_H‡$	$V_H‡$	
A0	X	X	X	X	X	X	V_{IL}	V_{IH}	
DQ0–DQ7	Data Out	Hi-Z	Hi-Z	Data In	Data Out	Hi-Z	CODE		
							MFG	DEVICE	
							97	85	

† X can be V_{IL} or V_{IH} .

‡ $V_H = 12 V \pm 0.5 V$.

read/output disable

When the outputs of two or more TMS27C512s or TMS27PC512s are connected in parallel on the same bus, the output of any particular device in the circuit can be read with no interference from the competing outputs of the other devices. To read the output of a single device, a low-level signal is applied to the \bar{E} and \bar{G}/V_{PP} pins. All other devices in the circuit should have their outputs disabled by applying a high-level signal to one of these pins. Output data is accessed at pins DQ0 through DQ7.

latchup immunity

Latchup immunity on the TMS27C512 and TMS27PC512 is a minimum of 250 mA on all inputs and outputs. This feature provides latchup immunity beyond any potential transients at the P.C. board level when the devices are interfaced to industry-standard TTL or MOS logic devices. Input-output layout approach controls latchup without compromising performance or packing density.

power down

Active I_{CC} supply current can be reduced from 30 mA to 500 μA (TTL-level inputs) or 250 μA (CMOS-level inputs) by applying a high TTL/CMOS signal to the \bar{E} pin. In this mode all outputs are in the high-impedance state.

erasure (TMS27C512)

Before programming, the TMS27C512 EPROM is erased by exposing the chip through the transparent lid to a high intensity ultraviolet light (wavelength 2537 angstroms). EPROM erasure before programming is necessary to assure that all bits are in the logic high state. Logic lows are programmed into the desired locations. A programmed logic low can be erased only by ultraviolet light. The recommended minimum exposure dose (UV intensity \times exposure time) is 15-W-s/cm². A typical 12-mW/cm², filterless UV lamp erases the device in 21 minutes. The lamp should be located about 2.5 cm above the chip during erasure. It should be noted that normal ambient light contains the correct wavelength for erasure. Therefore, when using the TMS27C512, the window should be covered with an opaque label.

TMS27C512 65536 BY 8-BIT UV ERASABLE TMS27PC512 65536 BY 8-BIT PROGRAMMABLE READ-ONLY MEMORIES

SMLS512G – NOVEMBER 1985 – REVISED SEPTEMBER 1997

initializing (TMS27PC512)

The one-time programmable TMS27PC512 PROM is provided with all bits in the logic high state, then logic lows are programmed into the desired locations. Logic lows programmed into a PROM cannot be erased.

SNAP! Pulse programming

The 512K EPROM and OTP PROM are programmed using the TI SNAP! Pulse programming algorithm illustrated by the flowchart in Figure 1, which programs in a nominal time of seven seconds. Actual programming time varies as a function of the programmer used.

The SNAP! Pulse programming algorithm uses initial pulses of 100 microseconds (μs) followed by a byte verification to determine when the addressed byte has been successfully programmed. Up to 10 (ten) 100- μs pulses per byte are provided before a failure is recognized.

The programming mode is achieved with $\overline{G}/V_{PP} = 13\text{ V}$, $V_{CC} = 6.5\text{ V}$, and $\overline{E} = V_{IL}$. Data is presented in parallel (eight bits) on pins DQ0 to DQ7. Once addresses and data are stable, \overline{E} is pulsed.

More than one device can be programmed when the devices are connected in parallel. Locations can be programmed in any order. When the SNAP! Pulse programming routine is complete, all bits are verified with $V_{CC} = 5\text{ V}$, $\overline{G}/V_{PP} = V_{IL}$, and $\overline{E} = V_{IL}$.

program inhibit

Programming can be inhibited by maintaining a high level input on the \overline{E} pin.

program verify

Programmed bits can be verified when \overline{G}/V_{PP} and $\overline{E} = V_{IL}$.

signature mode

The signature mode provides access to a binary code identifying the manufacturer and type. This mode is activated when A9 is forced to 12 V. Two identifier bytes are accessed by toggling A0. All other addresses must be held low. the signature code for these devices is 9785. A0 selects the manufacturer's code 97 (Hex), and A0 high selects the device code 85, as shown in Table 3.

Table 3. Signature Mode

IDENTIFIER†	PINS									
	A0	DQ7	DQ6	DQ5	DQ4	DQ3	DQ2	DQ1	DQ0	HEX
Manufacturer Code	V_{IL}	1	0	0	1	0	1	1	1	97
Device Code	V_{IH}	1	0	0	0	0	1	0	1	85

† $\overline{E} = \overline{G} = V_{IL}$, A9 = V_{IH} , A1 – A8 = V_{IL} , A10 – A15 = V_{IL} , PGM = V_{IH} or V_{IL} .

TMS27C512 65536 BY 8-BIT UV ERASABLE
 TMS27PC512 65536 BY 8-BIT
 PROGRAMMABLE READ-ONLY MEMORIES

SMLS512G – NOVEMBER 1985 – REVISED SEPTEMBER 1997

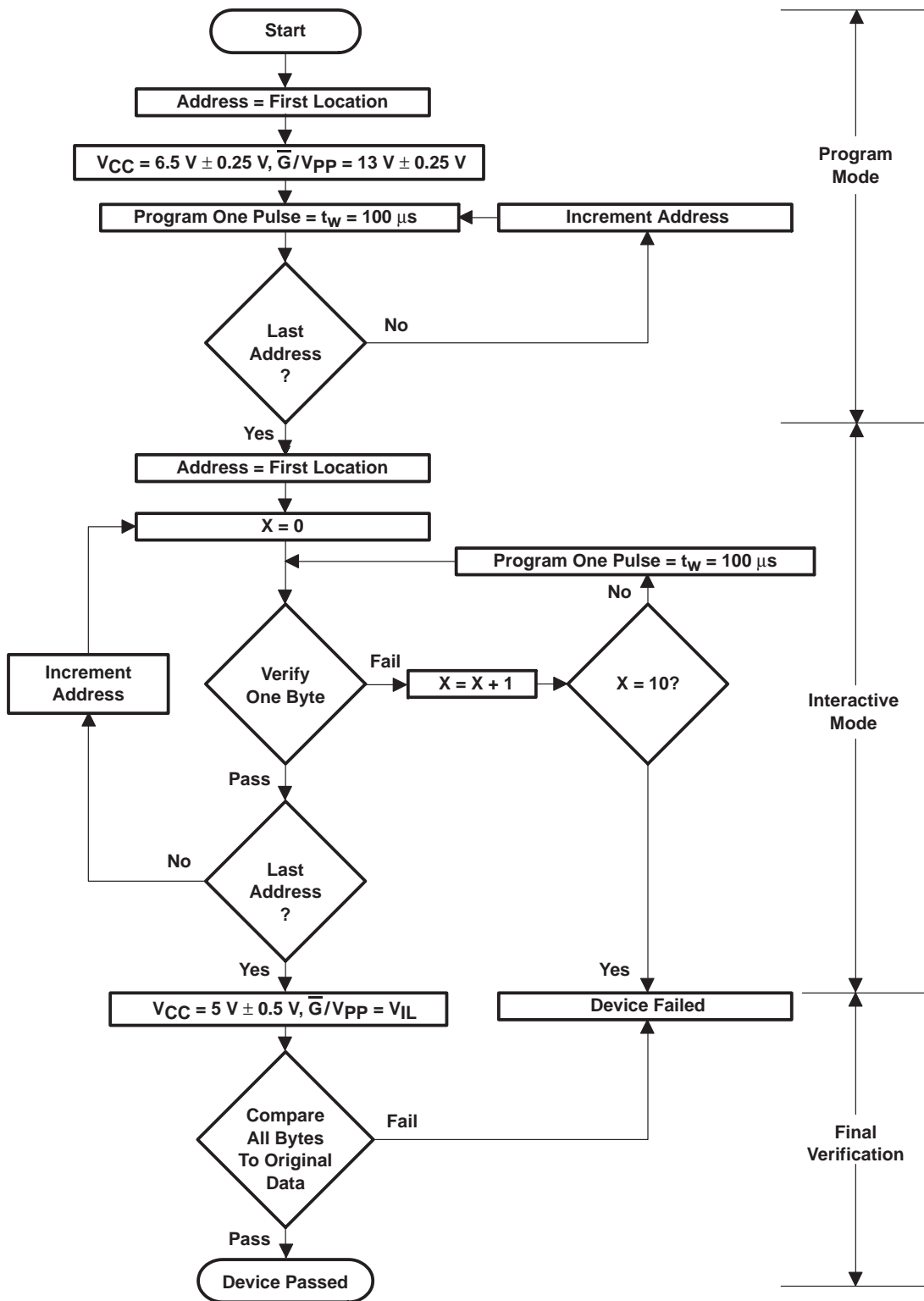
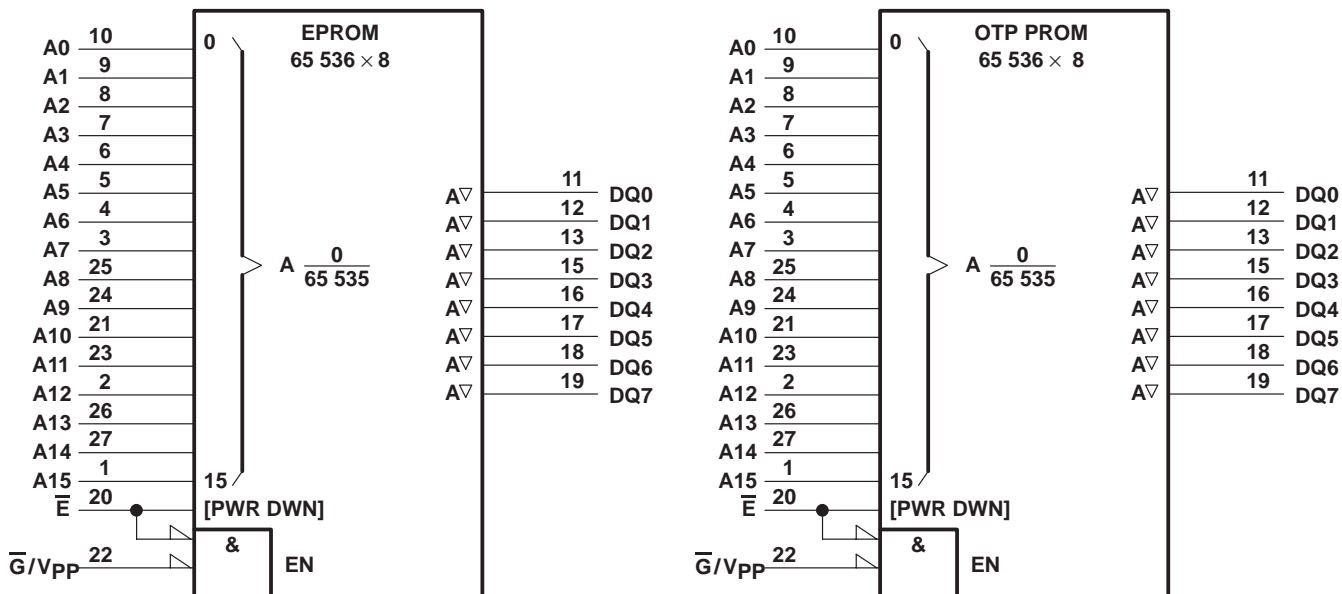


Figure 1. SNAP! Pulse Programming Flow Chart

**TMS27C512 65536 BY 8-BIT UV ERASABLE
TMS27PC512 65536 BY 8-BIT
PROGRAMMABLE READ-ONLY MEMORIES**

SMLS512G – NOVEMBER 1985 – REVISED SEPTEMBER 1997

logic symbols†



† These symbols are in accordance with ANSI/IEEE Std 91-1984 and IEC Publication 617-12.
Pin numbers shown are for the J package.

absolute maximum ratings over operating free-air temperature range (unless otherwise noted)‡

Supply voltage range, V_{CC} (see Note 1)	–0.6 V to 7 V
Supply voltage range, V_{PP}	–0.6 V to 14 V
Input voltage range (see Note 1): All inputs except A9	–0.6 V to $V_{CC} + 1$ V
A9	–0.6 V to 13.5 V
Output voltage range (see Note 1)	–0.6 V to $V_{CC} + 1$ V
Operating free-air temperature range ('27C512-__JL, '27PC512-__FML) T_A	0°C to 70°C
Operating free-air temperature range ('27C512-__JE, '27PC512-__FME) T_A	–40°C to 85°C
Storage temperature range, T_{stg}	–65°C to 150°C

‡ Stresses beyond those listed under “absolute maximum ratings” may cause permanent damage to the device. These are stress ratings only, and functional operation of the device at these or any other conditions beyond those indicated under “recommended operating conditions” is not implied. Exposure to absolute-maximum-rated conditions for extended periods may affect device reliability.

NOTE 1: All voltage values are with respect to GND.



TMS27C512 65536 BY 8-BIT UV ERASABLE
TMS27PC512 65536 BY 8-BIT
PROGRAMMABLE READ-ONLY MEMORIES

SMLS512G – NOVEMBER 1985 – REVISED SEPTEMBER 1997

recommended operating conditions

			MIN	NOM	MAX	UNIT
V _{CC}	Supply voltage	Read mode (see Note 2)	4.5	5	5.5	V
		SNAP! Pulse programming algorithm	6.25	6.5	6.75	
\overline{G}/V_{PP}	Supply voltage	SNAP! Pulse programming algorithm	12.75	13	13.25	V
V _{IH}	High-level dc input voltage	TTL	2		V _{CC} +1	V
		CMOS	V _{CC} - 0.2		V _{CC} +1	
V _{IL}	Low-level dc input voltage	TTL	- 0.5		0.8	V
		CMOS	- 0.5		0.2	
T _A	Operating free-air temperature	TMS27C512-__JL TMS27PC512-__FML	0		70	°C
T _A	Operating free-air temperature	TMS27C512-__JE TMS27PC512-__FME	- 40		85	°C

NOTE 2: V_{CC} must be applied before or at the same time as \overline{G}/V_{PP} and removed after or at the same time as \overline{G}/V_{PP} . The device must not be inserted into or removed from the board when V_{PP} or V_{CC} is applied.

electrical characteristics over recommended ranges of supply voltage and operating free-air temperature

PARAMETER		TEST CONDITIONS	MIN	TYP†	MAX	UNIT
V _{OH}	High-level dc output voltage	I _{OH} = - 2.5 mA	3.5			V
		I _{OH} = - 20 μA	V _{CC} - 0.1			
V _{OL}	Low-level dc output voltage	I _{OL} = 2.1 mA			0.4	V
		I _{OL} = 20 μA			0.1	
I _I	Input current (leakage)	V _I = 0 V to 5.5 V			±1	μA
I _O	Output current (leakage)	V _O = 0 V to V _{CC}			±1	μA
I _{PP}	\overline{G}/V_{PP} supply current (during program pulse)	\overline{G}/V_{PP} = 13 V		35	50	mA
I _{CC1}	V _{CC} supply current (standby)	TTL-input level	V _{CC} = 5.5 V, \overline{E} = V _{IH}	250	500	μA
		CMOS-input level	V _{CC} = 5.5 V, \overline{E} = V _{CC}	100	250	
I _{CC2}	V _{CC} supply current (active)	V _{CC} = 5.5 V, \overline{E} = V _{IL} , t _{cycle} = minimum cycle time, outputs open		15	30	mA

† Typical values are at T_A = 25°C and nominal voltages.

capacitance over recommended ranges of supply voltage and operating free-air temperature, f = 1 MHz†

PARAMETER		TEST CONDITIONS	MIN	TYP‡	MAX	UNIT
C _I	Input capacitance	V _I = 0 V, f = 1 MHz		6	10	pF
C _O	Output capacitance	V _O = 0 V, f = 1 MHz		10	14	pF
C _{G/VPP}	\overline{G}/V_{PP} input capacitance	\overline{G}/V_{PP} = 0 V, f = 1 MHz		20	25	pF

† Capacitance measurements are made on a sample basis only.

‡ Typical values are at T_A = 25°C and nominal voltages.



**TMS27C512 65536 BY 8-BIT UV ERASABLE
TMS27PC512 65536 BY 8-BIT
PROGRAMMABLE READ-ONLY MEMORIES**

SMLS512G – NOVEMBER 1985 – REVISED SEPTEMBER 1997

switching characteristics over recommended ranges of operating conditions

PARAMETER	TEST CONDITIONS (SEE NOTES 3 AND 4)	'27C512-10 '27PC512-10		'27C512-12 '27PC512-12		UNIT
		MIN	MAX	MIN	MAX	
$t_{a(A)}$ Access time from address	$C_L = 100$ pF, 1 Series 74 TTL Load, Input $t_r \leq 20$ ns, Input $t_f \leq 20$ ns	100		120		ns
$t_{a(E)}$ Access time from chip enable		100		120		ns
$t_{en(G)}$ Output enable time from \overline{G}/V_{PP}		55		55		ns
t_{dis} Output disable time from \overline{G}/V_{PP} or \overline{E} , whichever occurs first [†]		0 45		0 45		ns
$t_{v(A)}$ Output data valid time after change of address, \overline{E} , or \overline{G}/V_{PP} , whichever occurs first [†]		0		0		ns

PARAMETER	TEST CONDITIONS (SEE NOTES 3 AND 4)	'27C512-15 '27PC512-15		UNIT
		MIN	MAX	
$t_{a(A)}$ Access time from address	$C_L = 100$ pF, 1 Series 74 TTL Load, Input $t_r \leq 20$ ns, Input $t_f \leq 20$ ns	150		ns
$t_{a(E)}$ Access time from chip enable		150		ns
$t_{en(G)}$ Output enable time from \overline{G}/V_{PP}		75		ns
t_{dis} Output disable time from \overline{G}/V_{PP} or \overline{E} , whichever occurs first [†]		0 60		ns
$t_{v(A)}$ Output data valid time after change of address, \overline{E} , or \overline{G}/V_{PP} , whichever occurs first [†]		0		ns

PARAMETER	TEST CONDITIONS (SEE NOTES 3 AND 4)	'27C512-20 '27PC512-20		'27C512-25 '27PC512-25		UNIT
		MIN	MAX	MIN	MAX	
$t_{a(A)}$ Access time from address	$C_L = 100$ pF, 1 Series 74 TTL Load, Input $t_r \leq 20$ ns, Input $t_f \leq 20$ ns	200		250		ns
$t_{a(E)}$ Access time from chip enable		200		250		ns
$t_{en(G)}$ Output enable time from \overline{G}/V_{PP}		75		100		ns
t_{dis} Output disable time from \overline{G}/V_{PP} or \overline{E} , whichever occurs first [†]		0 60		0 60		ns
$t_{v(A)}$ Output data valid time after change of address, \overline{E} , or \overline{G}/V_{PP} , whichever occurs first [†]		0		0		ns

[†] Value calculated from 0.5 V delta to measured output level. This parameter is only sampled.

NOTES: 3. For all switching characteristics, the input pulse levels are 0.4 V to 2.4 V. Timing measurements are made at 2 V for logic high and 0.8 V for logic low (see Figure 2).

4. Common test conditions apply for t_{dis} except during programming.

switching characteristics for programming: $V_{CC} = 6.50$ V and $\overline{G}/V_{PP} = 13$ V (SNAP! Pulse), $T_A = 25^\circ\text{C}$ (see Note 3)

PARAMETER	MIN	MAX	UNIT
$t_{dis(G)}$ Disable time, output from \overline{G}/V_{PP}	0	130	ns

NOTE 3: For all switching characteristics, the input pulse levels are 0.4 V to 2.4 V. Timing measurements are made at 2 V for logic high and 0.8 V for logic low.



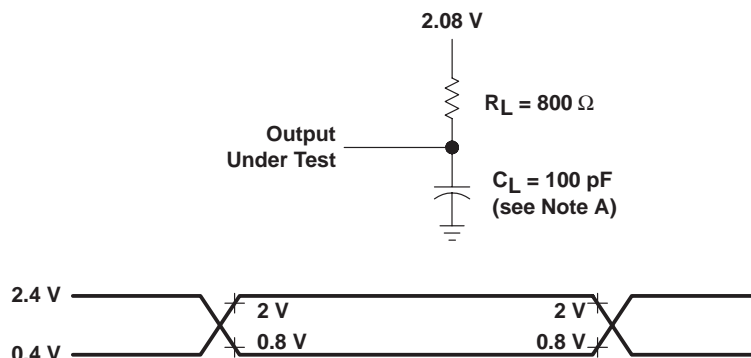
**TMS27C512 65536 BY 8-BIT UV ERASABLE
TMS27PC512 65536 BY 8-BIT
PROGRAMMABLE READ-ONLY MEMORIES**

SMLS512G – NOVEMBER 1985 – REVISED SEPTEMBER 1997

timing requirements for programming

		MIN	NOM	MAX	UNIT
$t_{w(IPGM)}$	Pulse duration, initial program	95	100	105	μs
$t_{su(A)}$	Setup time, address	2			μs
$t_{su(D)}$	Setup time, data	2			μs
$t_{su(VPP)}$	Setup time, \overline{G}/V_{PP}	2			μs
$t_{su(VCC)}$	Setup time, V_{CC}	2			μs
$t_h(A)$	Hold time, address	0			μs
$t_h(D)$	Hold time, data	2			μs
$t_h(VPP)$	Hold time, \overline{G}/V_{PP}	2			μs
$t_{rec(PG)}$	Recovery time, \overline{G}/V_{PP}	2			μs
t_{EHD}	Data valid from \overline{E} low			1	μs
$t_r(PG)G$	Rise time, \overline{G}/V_{PP}	50			ns

PARAMETER MEASUREMENT INFORMATION



- NOTES: A. C_L includes probe and fixture capacitance.
B. The ac testing inputs are driven at 2.4 V for logic high and 0.4 V for logic low. Timing measurements are made at 2 V for logic high and 0.8 V for logic low for both inputs and outputs.

Figure 2. AC Testing Output Load Circuit

**TMS27C512 65536 BY 8-BIT UV ERASABLE
TMS27PC512 65536 BY 8-BIT
PROGRAMMABLE READ-ONLY MEMORIES**

SMLS512G - NOVEMBER 1985 - REVISED SEPTEMBER 1997

PARAMETER MEASUREMENT INFORMATION

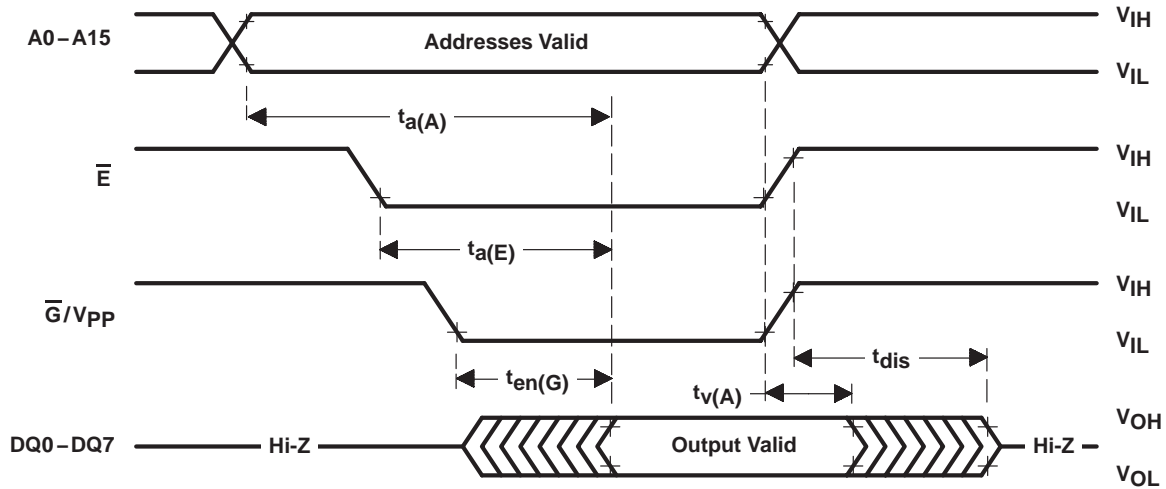
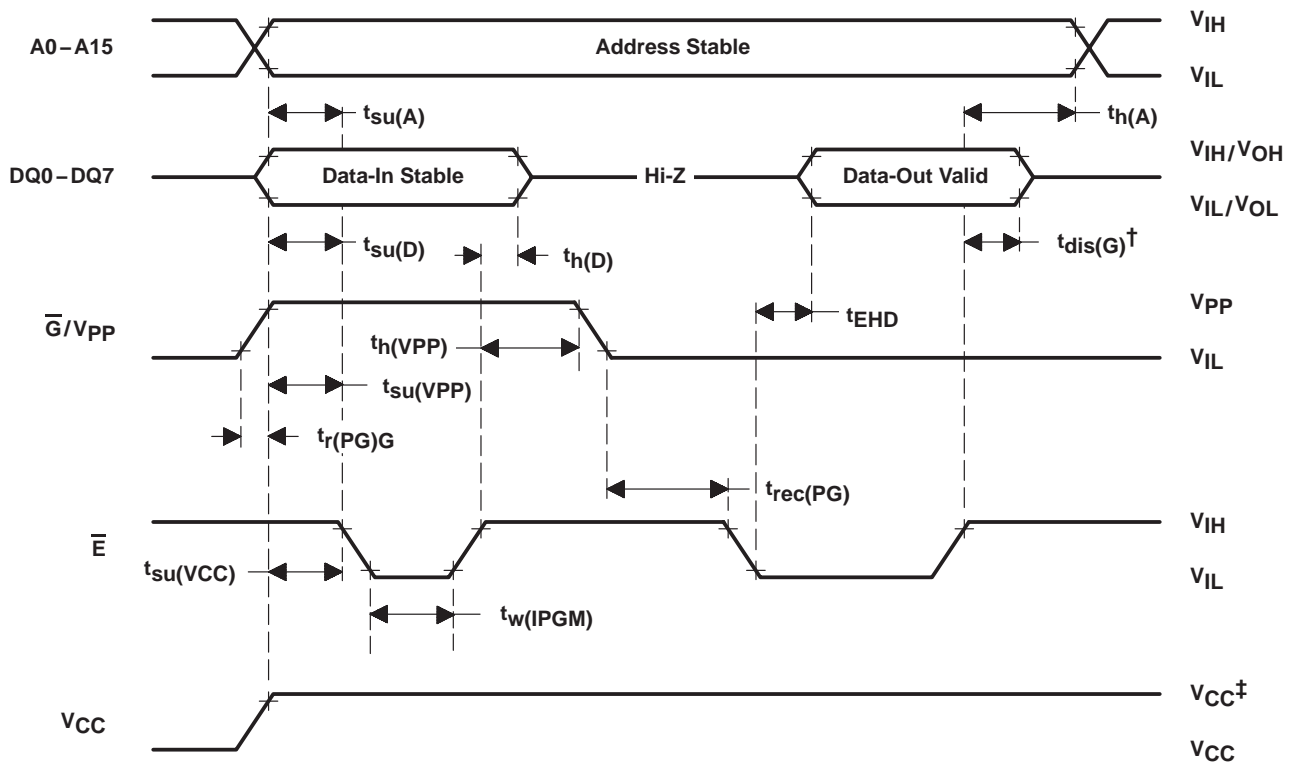


Figure 3. Read-Cycle Timing



$\dagger t_{dis}(G)$ is a characteristic of the device but must be accommodated by the programmer.

\ddagger 13-V \bar{G}/V_{PP} and 6.5-V V_{CC} for SNAP! Pulse programming.

Figure 4. Program-Cycle Timing (SNAP! Pulse Programming)

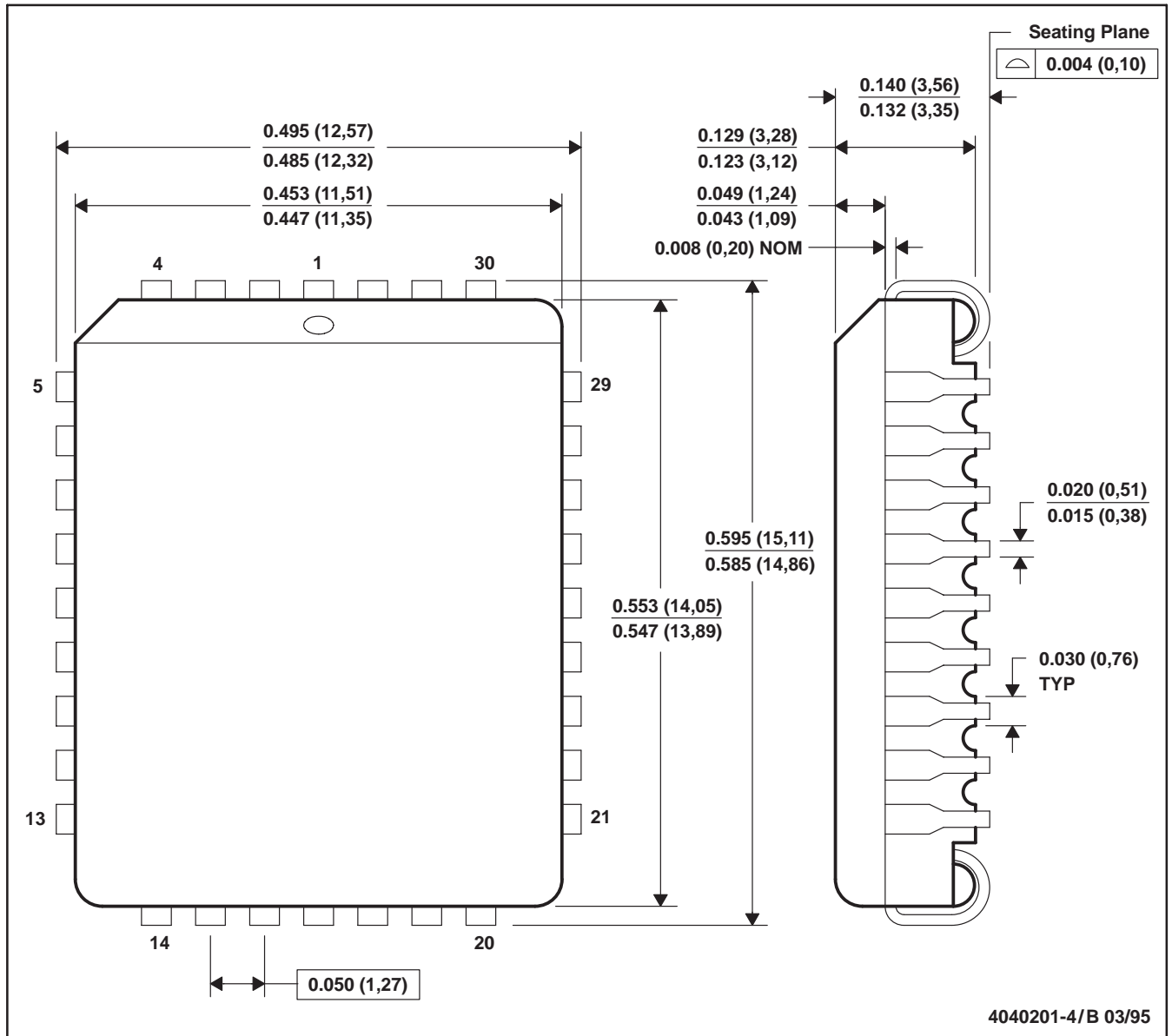


**TMS27C512 65536 BY 8-BIT UV ERASABLE
TMS27PC512 65536 BY 8-BIT
PROGRAMMABLE READ-ONLY MEMORIES**

SMLS512G - NOVEMBER 1985 - REVISED SEPTEMBER 1997

FM (R-PQCC-J32)

PLASTIC J-LEADED CHIP CARRIER



- NOTES: A. All linear dimensions are in inches (millimeters).
B. This drawing is subject to change without notice.
C. Falls within JEDEC MS-016

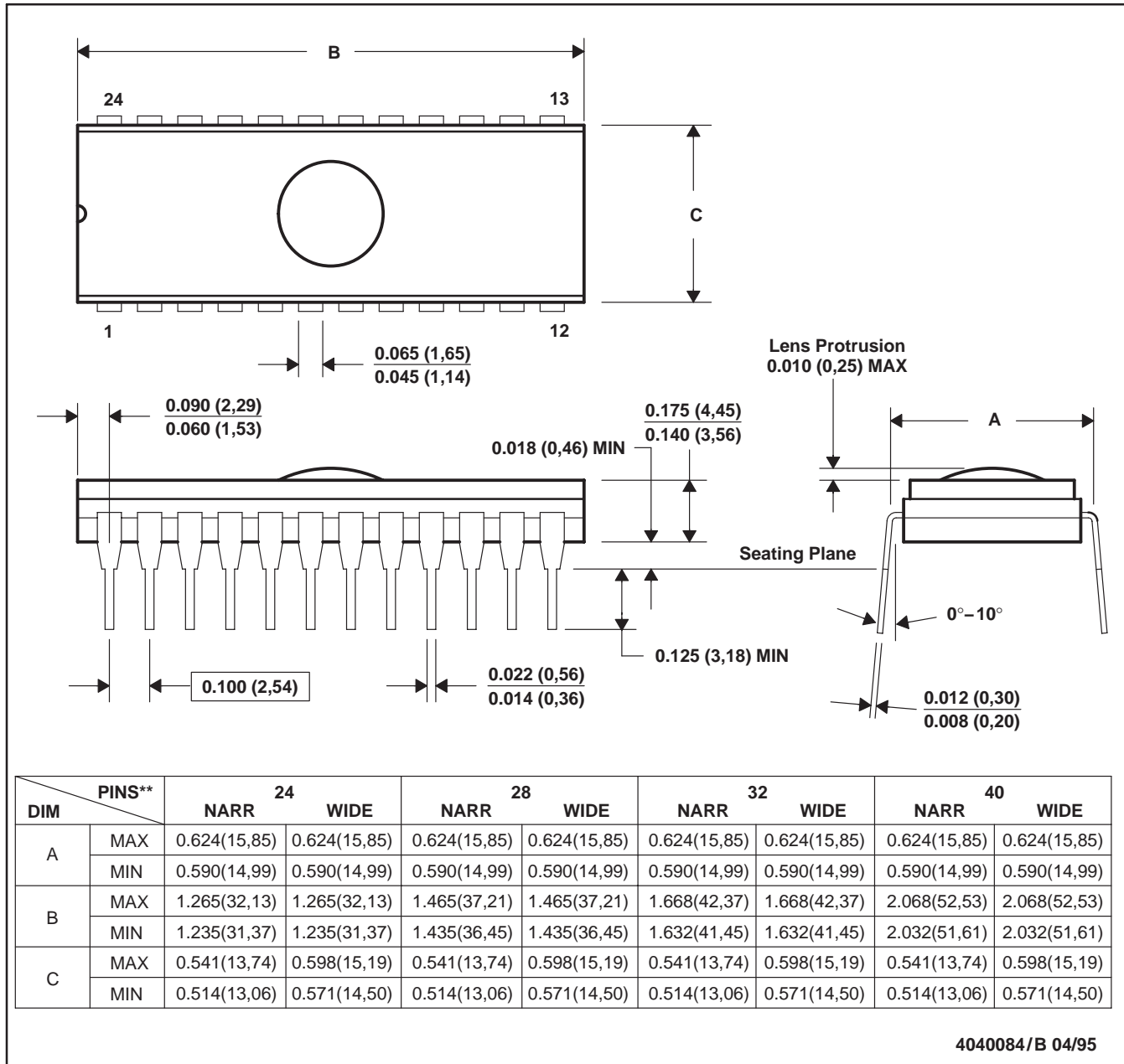
**TMS27C512 65536 BY 8-BIT UV ERASABLE
TMS27PC512 65536 BY 8-BIT
PROGRAMMABLE READ-ONLY MEMORIES**

SMLS512G – NOVEMBER 1985 – REVISED SEPTEMBER 1997

J (R-CDIP-T)**

CERAMIC SIDE-BRAZE DUAL-IN-LINE PACKAGE

24 PIN SHOWN



- NOTES: A. All linear dimensions are in inches (millimeters).
 B. This drawing is subject to change without notice.
 C. This package can be hermetically sealed with a ceramic lid using glass frit.
 D. Index point is provided on cap for terminal identification only on press ceramic glass frit seal only.

IMPORTANT NOTICE

Texas Instruments Incorporated and its subsidiaries (TI) reserve the right to make corrections, modifications, enhancements, improvements, and other changes to its products and services at any time and to discontinue any product or service without notice. Customers should obtain the latest relevant information before placing orders and should verify that such information is current and complete. All products are sold subject to TI's terms and conditions of sale supplied at the time of order acknowledgment.

TI warrants performance of its hardware products to the specifications applicable at the time of sale in accordance with TI's standard warranty. Testing and other quality control techniques are used to the extent TI deems necessary to support this warranty. Except where mandated by government requirements, testing of all parameters of each product is not necessarily performed.

TI assumes no liability for applications assistance or customer product design. Customers are responsible for their products and applications using TI components. To minimize the risks associated with customer products and applications, customers should provide adequate design and operating safeguards.

TI does not warrant or represent that any license, either express or implied, is granted under any TI patent right, copyright, mask work right, or other TI intellectual property right relating to any combination, machine, or process in which TI products or services are used. Information published by TI regarding third-party products or services does not constitute a license from TI to use such products or services or a warranty or endorsement thereof. Use of such information may require a license from a third party under the patents or other intellectual property of the third party, or a license from TI under the patents or other intellectual property of TI.

Reproduction of TI information in TI data books or data sheets is permissible only if reproduction is without alteration and is accompanied by all associated warranties, conditions, limitations, and notices. Reproduction of this information with alteration is an unfair and deceptive business practice. TI is not responsible or liable for such altered documentation. Information of third parties may be subject to additional restrictions.

Resale of TI products or services with statements different from or beyond the parameters stated by TI for that product or service voids all express and any implied warranties for the associated TI product or service and is an unfair and deceptive business practice. TI is not responsible or liable for any such statements.

TI products are not authorized for use in safety-critical applications (such as life support) where a failure of the TI product would reasonably be expected to cause severe personal injury or death, unless officers of the parties have executed an agreement specifically governing such use. Buyers represent that they have all necessary expertise in the safety and regulatory ramifications of their applications, and acknowledge and agree that they are solely responsible for all legal, regulatory and safety-related requirements concerning their products and any use of TI products in such safety-critical applications, notwithstanding any applications-related information or support that may be provided by TI. Further, Buyers must fully indemnify TI and its representatives against any damages arising out of the use of TI products in such safety-critical applications.

TI products are neither designed nor intended for use in military/aerospace applications or environments unless the TI products are specifically designated by TI as military-grade or "enhanced plastic." Only products designated by TI as military-grade meet military specifications. Buyers acknowledge and agree that any such use of TI products which TI has not designated as military-grade is solely at the Buyer's risk, and that they are solely responsible for compliance with all legal and regulatory requirements in connection with such use.

TI products are neither designed nor intended for use in automotive applications or environments unless the specific TI products are designated by TI as compliant with ISO/TS 16949 requirements. Buyers acknowledge and agree that, if they use any non-designated products in automotive applications, TI will not be responsible for any failure to meet such requirements.

Following are URLs where you can obtain information on other Texas Instruments products and application solutions:

Products

Amplifiers	amplifier.ti.com
Data Converters	dataconverter.ti.com
DSP	dsp.ti.com
Clocks and Timers	www.ti.com/clocks
Interface	interface.ti.com
Logic	logic.ti.com
Power Mgmt	power.ti.com
Microcontrollers	microcontroller.ti.com
RFID	www.ti-rfid.com
RF/IF and ZigBee® Solutions	www.ti.com/lprf

Applications

Audio	www.ti.com/audio
Automotive	www.ti.com/automotive
Broadband	www.ti.com/broadband
Digital Control	www.ti.com/digitalcontrol
Medical	www.ti.com/medical
Military	www.ti.com/military
Optical Networking	www.ti.com/opticalnetwork
Security	www.ti.com/security
Telephony	www.ti.com/telephony
Video & Imaging	www.ti.com/video
Wireless	www.ti.com/wireless

Mailing Address: Texas Instruments, Post Office Box 655303, Dallas, Texas 75265
Copyright © 2008, Texas Instruments Incorporated