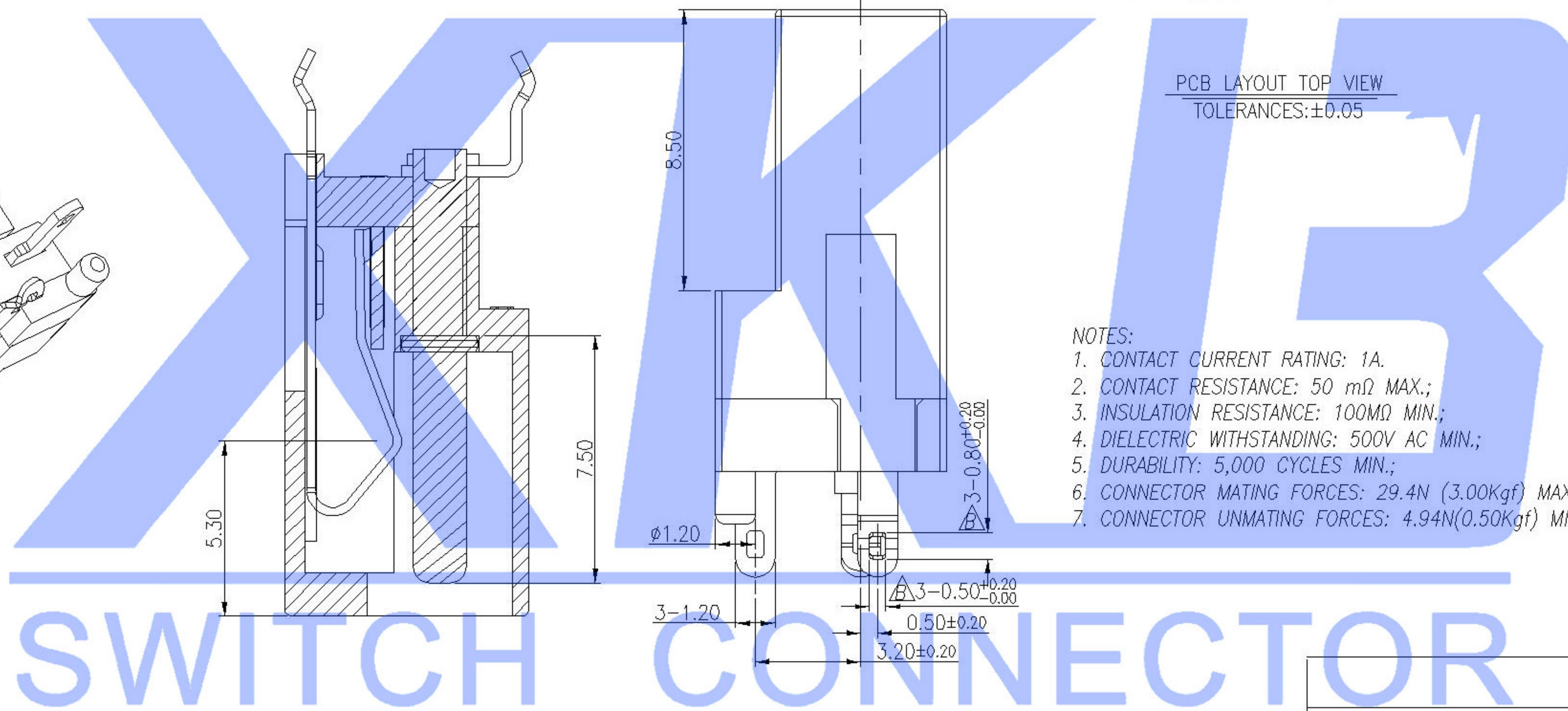
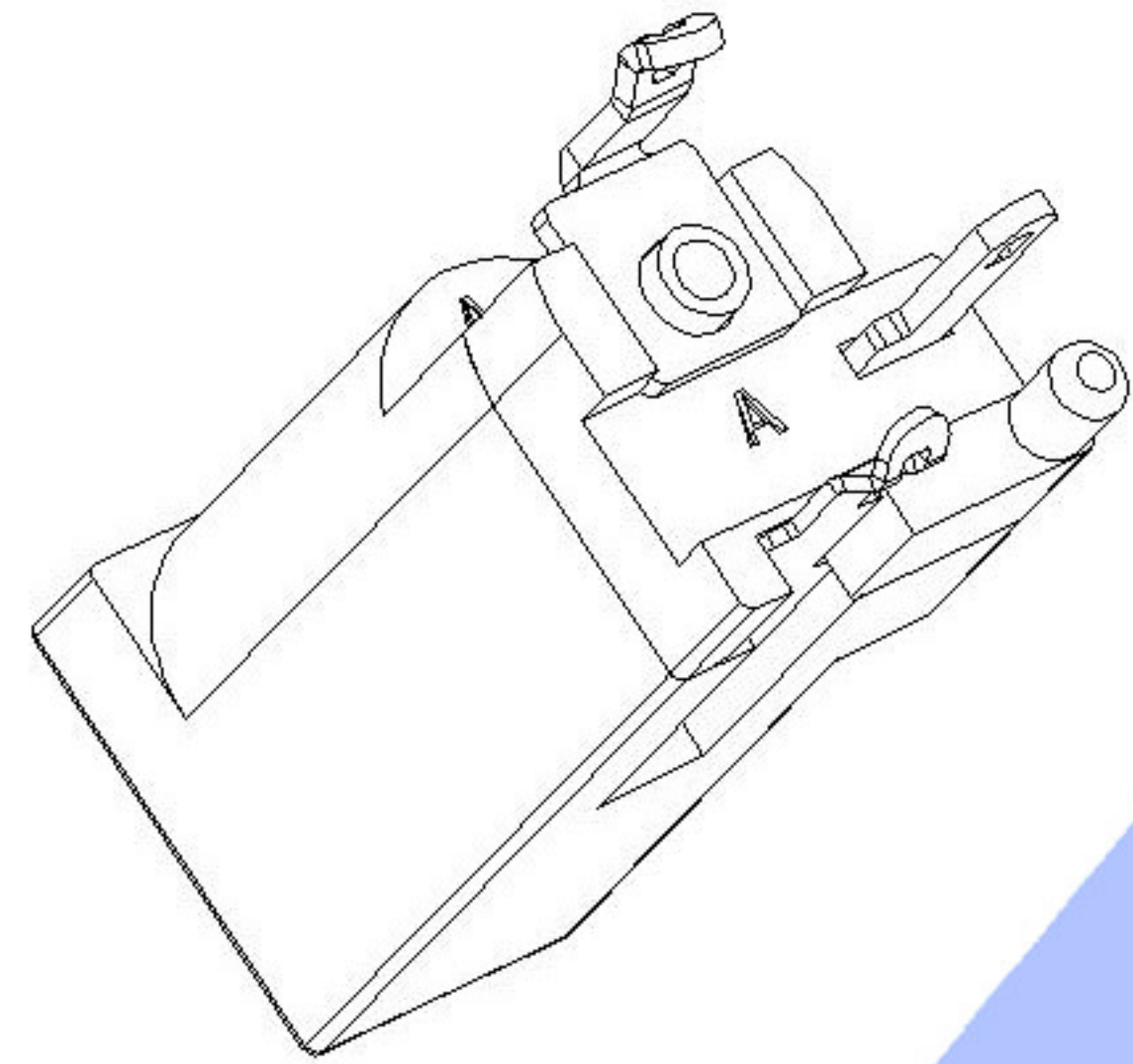
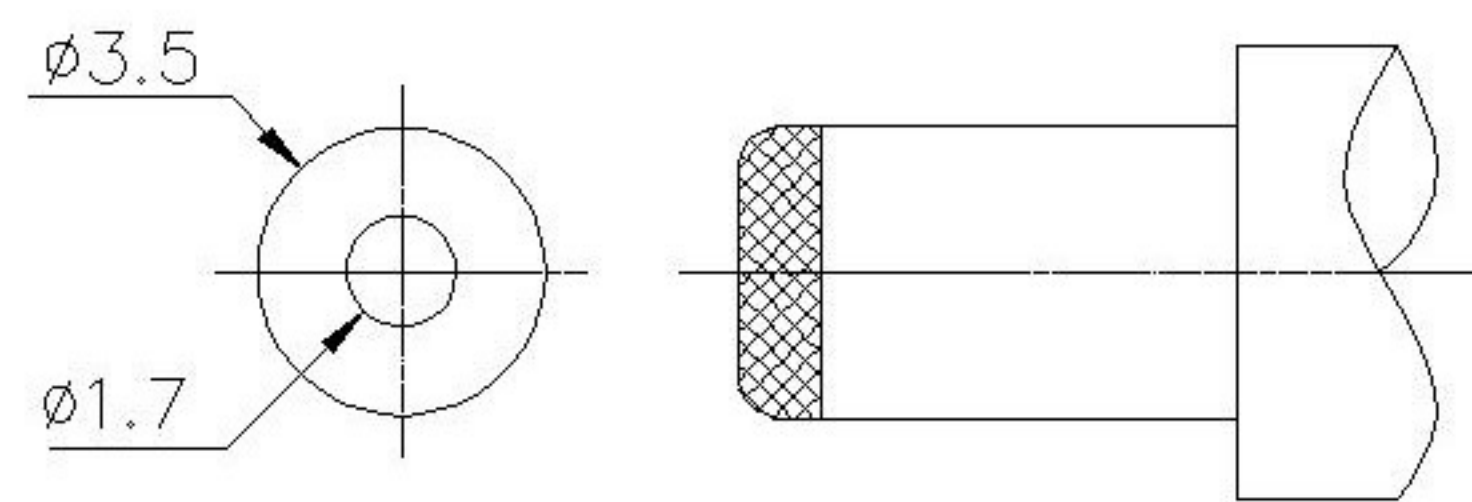


PCB LAYOUT TOP VIEW
TOLERANCES: ±0.05



- NOTES:
 1. CONTACT CURRENT RATING: 1A.
 2. CONTACT RESISTANCE: 50 mΩ MAX.;
 3. INSULATION RESISTANCE: 100MΩ MIN.;
 4. DIELECTRIC WITHSTANDING: 500V AC MIN.;
 5. DURABILITY: 5,000 CYCLES MIN.;
 6. CONNECTOR MATING FORCES: 29.4N (3.00Kgf) MAX.;
 7. CONNECTOR UNMATING FORCES: 4.94N(0.50Kgf) MIN.;

SCHEMATIC	
Center Pin	Ø1.0 mm
	Ø1.3 mm
	Ø1.65 mm



	MATERIAL	PLATING
center pin	Brass	tin
terminal 1	Brass	tin
terminal 2	Phosphor Bronze	tin
terminal 3	Brass	tin
plastic	Pbt	

MARK	DESCRIPTION	DATE	REVISED	APPROVED	ANGLAR	±5°	DSND	DATE	SCALE: N/A	MODEL TYPE: DC POWER JACK		
ΔX					X.X	±0.2mm	DWN	DATE	VIEW:	PART NO.:		
ΔX					X.XX	±0.1mm	CHKD	DATE	UNIT: mm	DWG NO.:		
ΔX					X.XXX	±0.05mm	APPD	DATE	SIZE: A4	DC-002H-2.5A-1.65		
REVISIONS						UNSPECIFIED TOLERANCES	XKB INDUSTRIAL PRECISION CO.,LIMITED			WEIGHT 1.0g	SHEET 1/1	REVISION A0
www.xk-dg.cn www.helloxkb.com www.helloxkb.cn												