

1

2

3

4

5

6

7

A

A

B

B

C

C

D

D

E

E

F

F

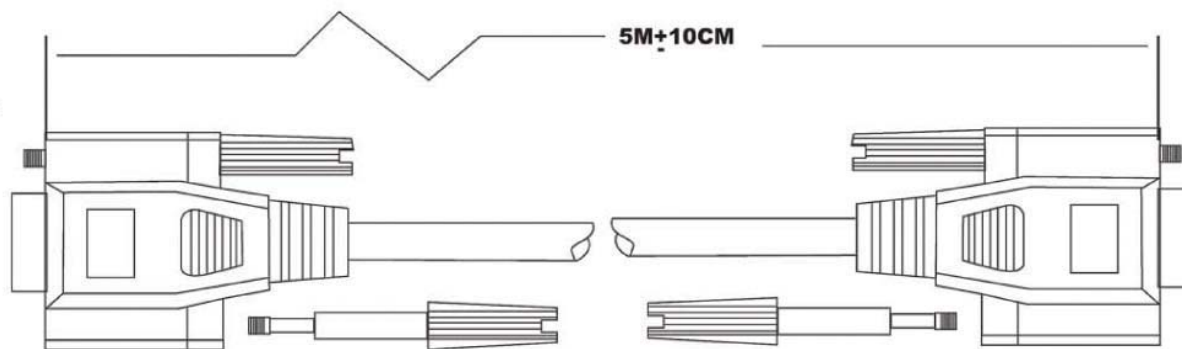
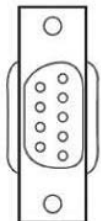
G

G

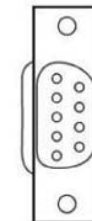
H

H

DB9 Female



DB9 Female



Configuration:

DB9F

DB9F

1	_____	1
2	_____	2
3	_____	3
4	_____	4
5	_____	5
6	_____	6
7	_____	7
8	_____	8
9	_____	9
Shield	_____	Shield

Material:

- 1.Cable: #28 9C+1+AL/MY (Beige PVC Jacket) O.D:5.0MM
- 2.Both connectors with normal type
- 3.Thumbscrew: #4-40UNC Type
- 4.Outter Molded with Beige PVC

Notes:

- 1.Total Length: 5M+10CM
- 2.Color: Beige
- 3.Molded Type



Scale	1:1					Name	
TOLERANCE					Drawn	11.15.11	Chappell
X.X	±0.40				Approved		
X.XX	±0.25						
X.XXX	±0.15						
Angle	±3°						



Item No.
AK153-5-R (5 Meters)

Title
Serial Connection Cable, Molded Hoods,
D-Sub 9 Pin Female to D-Sub 9 Pin Female

Drawing No. _____

Replace Sheet

rev00

1

2

3

4

5

6

7