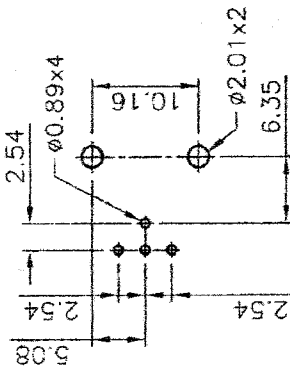
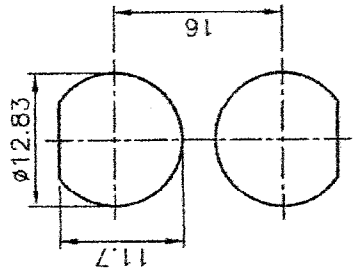
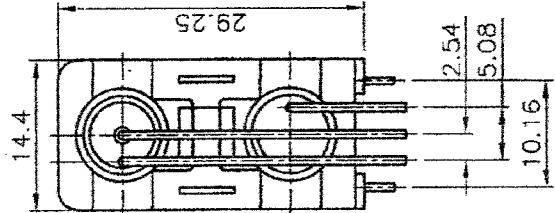
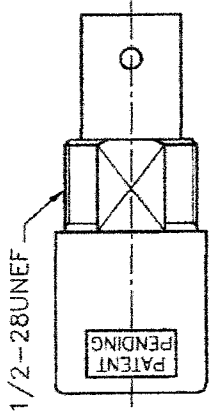


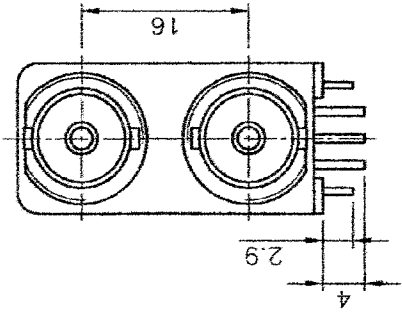
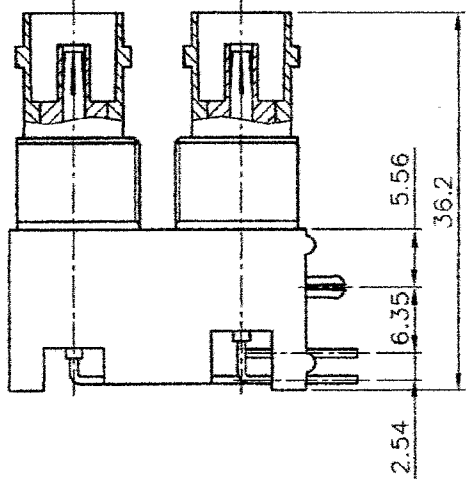
APPROVED: _____ DATE: _____ TITLE: _____



P.C.B. LAYOUT
(印刷电路板配置)



RECOMMENDED MOUNTING HOLE
(建議安裝孔)



NO	DESCRIPTION	MATERIAL	FINISH	QTY
6	MOUNTING POST	BRASS	TIN	1
5	HOUSING	PBT		1
4	INSULATOR	POLYPROPYLENE		1
3	BODY	ZINC DICAST	NICKEL	1
2	GROUND	COPPER	TIN	1
1	CONTACT PIN	PHOSPHOR BRONZE	GOLD & TIN	1
NO	DESCRIPTION	MATERIAL	FINISH	QTY

UNLESS OTHERWISE SPECIFIED
ALL DIMENSIONS ARE MM [INCHES]
TOLERANCES: EXCEPT AS NOTED

INCHES HOLES
X ±.10 ØX ±.10
.XX ±.020 ØXX ±.015
.XXX ±.015 ØXXX ±.010

APPROVALS	DATE
DRAWN SLS	02/16/05
CHECKED	
APPROVED	

ADAM TECH

909 Rahway Avenue, Union, NJ 07083
Phone: 908-687-5000 Fax: 908-687-0214

TITLE
**RF CONNECTOR, TYPE BNC, R/A
75 OHM, DUAL**

SIZE	PART NO.	REV.
X	RF1-27-P-00-75-BLK	-

SCALE: NTS SHEET 1 OF 1