

PLEASE CHECK WWW.MOLEX.COM FOR LATEST PART INFORMATION

Part Number: [5000751517](#)
Status: **Active**
Description: USB On-The-Go (OTG) Mini-B Receptacle, Vertical, Through Hole Solder Tails and Shell Tabs, Lead-free

Documents:

[3D Model](#) [Product Specification PS-500075-002 \(PDF\)](#)
[Drawing \(PDF\)](#) [RoHS Certificate of Compliance \(PDF\)](#)

General

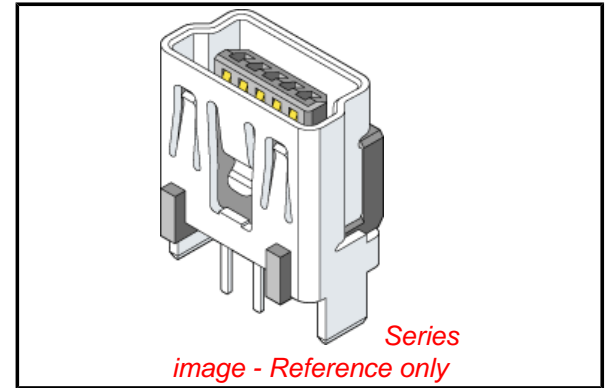
Product Family	I/O Connectors
Series	500075
Application	Wire-to-Board
Component Type	Receptacle
MolexKits	Yes
Product Name	USB, USB OTG (On-The-Go)
Type	Mini-B

Physical

Boot Color	N/A
Circuits (Loaded)	5
Color - Resin	Black
Gender	Receptacle
Lock to Mating Part	Yes
Material - Metal	Copper Alloy
Material - Plating Mating	Gold
Material - Plating Termination	Tin
Number of Rows	1
Orientation	Vertical
PC Tail Length (in)	0.079 In
PC Tail Length (mm)	2.00 mm
PCB Locator	Yes
PCB Retention	Yes
PCB Thickness Recommended (in)	0.031 In
PCB Thickness Recommended (mm)	0.80 mm
Packaging Type	Tray
Panel Mount	No
Pitch - Mating Interface (in)	0.031 In
Pitch - Mating Interface (mm)	0.80 mm
Pitch - Term. Interface (in)	0.031 In
Pitch - Term. Interface (mm)	0.80 mm
Polarized to Mating Part	Yes
Polarized to PCB	Yes
Ports	1
Surface Mount Compatible (SMC)	No
Temperature Range - Operating	-40°C to +85°C
Termination Interface: Style	Through Hole
Waterproof / Dustproof	No
Wire Size AWG	N/A

Electrical

Current - Maximum per Contact	1A
Shield Type	Full Shield
Shielded	Yes
Voltage - Maximum	30V AC (RMS)/DC



EU RoHS

ELV and RoHS Compliant
REACH SVHC
 Not Reviewed
Halogen-Free Status
 Not Reviewed

China RoHS



Need more information on product environmental compliance?

Email productcompliance@molex.com
 For a multiple part number RoHS Certificate of Compliance, [click here](#)

Please visit the [Contact Us](#) section for any non-product compliance questions.

Search Parts in this Series

500075Series

Mates With

59204 mini-B cable assembly

Material Info

Reference - Drawing Numbers

Product Specification

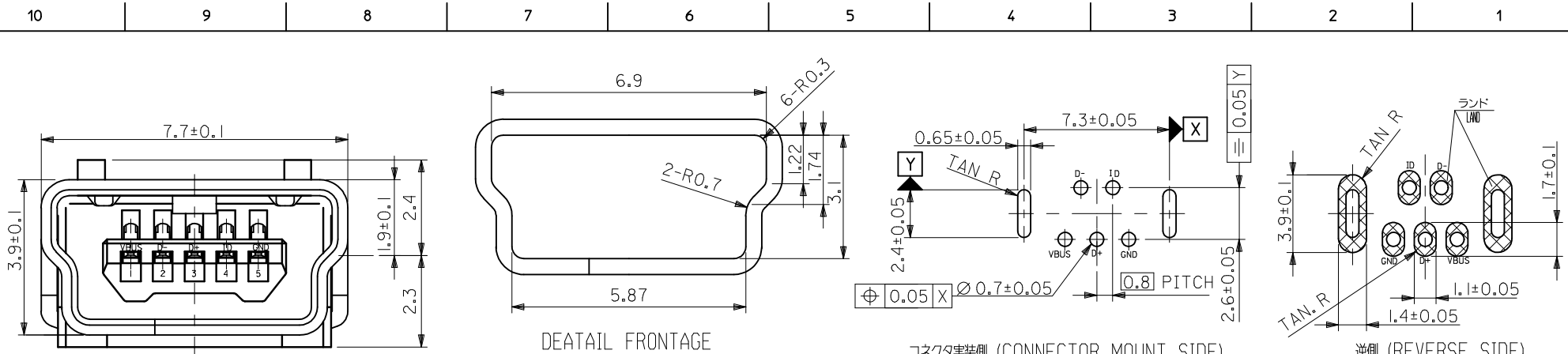
Sales Drawing

PS-500075-002, RPS-500075-004

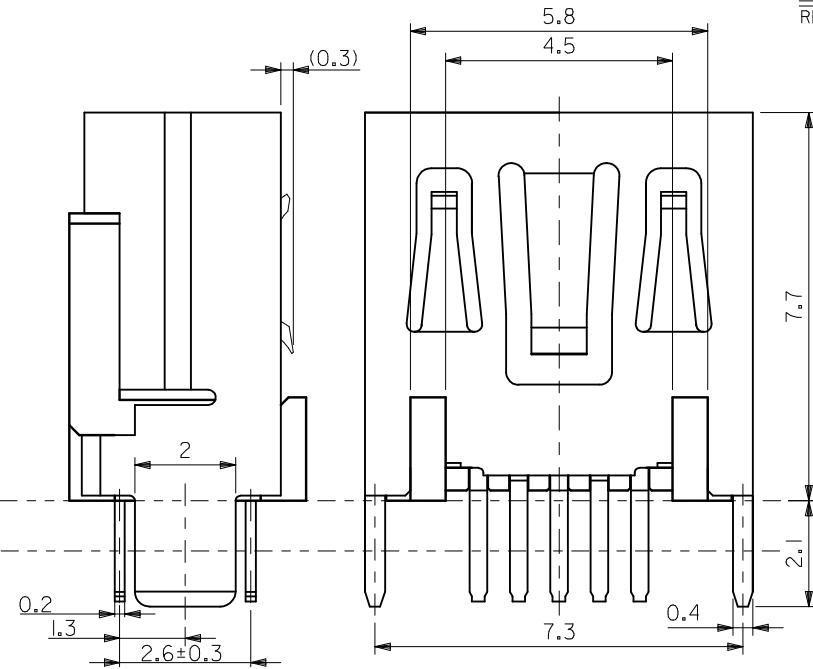
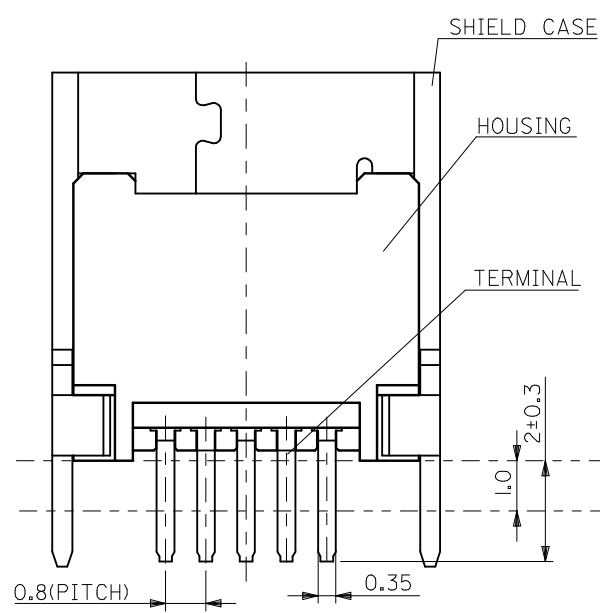
SD-500075-008

This document was generated on 06/07/2010

PLEASE CHECK WWW.MOLEX.COM FOR LATEST PART INFORMATION



コネクタ実装側 (CONNECTOR MOUNT SIDE) 推奨基板寸法
逆側 (REVERSE SIDE) 推奨基板寸法
RECOMMENDED P.C.B. PATTERN LAYOUT



- 注記 NOTES
- 材質 MATERIAL
 - ハウジング: ポリアミド, 黒色, UL94V-0
 - HOUSING: POLYAMIDE, BLACK, UL94V-0
 - ターミナル: 銅合金 (t=0.2)
 - TERMINAL: COPPER ALLOY (t=0.2)
 - シールド ケース: 銅合金 (t=0.4)
 - SHIELD CASE: COPPER ALLOY (t=0.4)
 - メッキ仕様 PLATING
 - ターミナル TERMINAL: 接点部: 金メッキ CONTACT AREA: GOLD; 半田付け部: 錫メッキ SOLDER TAIL AREA: TIN
 - シールド ケース: 錫メッキ SHIELD CASE: TIN
 - 下地部: ニッケルメッキ UNDER PLATING: NICKEL

REVISED EC NO: J2009-1533 DRW: NESATO 2009/06/25 CHKD: MATSUMOTO 2009/06/25 APPR: NUKITA 2009/06/25	GENERAL TOLERANCES (UNLESS SPECIFIED)		DIMENSION STYLE MM ONLY	SCALE 10:1	DESIGN UNITS METRIC	THIRD ANGLE PROJECTION
	10 UNDER	±0.2	DRAWN BY MNABEI	DATE '04/08/30	TITLE USB SERIES MINI-B STRAIGHT TYPE 2 REC ASSY -LEAD FREE-	
	10 OVER 30 UNDER	±0.25	CHECKED BY KTOJO	DATE '04/08/30	MOLEX INCORPORATED SD-500075-008	
	30 OVER	±0.3	APPROVED BY NUKITA	DATE '04/08/30		
A	ANGULAR ±3 °	DRAFT WHERE APPLICABLE MUST REMAIN WITHIN DIMENSIONS	MATERIAL NO. SEE TABLE	THIS DRAWING CONTAINS INFORMATION THAT IS PROPRIETARY TO MOLEX INCORPORATED AND SHOULD NOT BE USED WITHOUT WRITTEN PERMISSION		